

INSTALLATION INSTRUCTIONS

770-LED Wall Sconce

PL-77017/PL-77027

MODERN FORMS

CAUTION: To prevent electrical shock, ensure electricity has been turned off at the circuit breaker before beginning.

- Read all instructions before installing.
- System is intended for installation by a licensed electrician in accordance with the National Electrical Code (NEC) and local regulations.
- When handling the fixture, do not apply pressure to the LEDs. Hold the fixture by the base only.
- Retain installation instructions for future maintenance reference.

WARNING: All parts must be used as indicated in these instructions. This product is designed for use only with the supplied parts and/or accessories designated for use by Modern Forms. Substitution of parts or accessories not designated for use with this product by Modern Forms could result in personal injury or property damage, and will void the warranty. Contact an authorized dealer or the manufacturer if any parts are damaged or missing.

MAINTENANCE NOTE: Coastal conditions may cause mineral and residue build-up on the fixture. We recommend that customers in coastal areas clean all external surfaces of the fixture once every two weeks with a wet cloth.

MISE EN GARDE: Pour éviter tout choc électrique, assurez-vous que le disjoncteur soit mis hors tension avant de commencer.

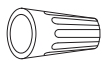
- Lisez toutes les instructions avant l'installation.
- Le système doit être installé par un électricien licencié conformément au code national de l'électricité (NEC), et également aux règlements locaux.
- Lors de la manipulation du luminaire, n'appuyez pas sur les LED. Tenez-le uniquement par la base.

ATTENTION: Toutes les pièces doivent être utilisées comme indiqué dans ces instructions. Ce produit est conçu pour être utilisé seulement avec les pièces et/ou accessoires fournis pour être utilisés avec les produits Modern Forms. Remplacer des pièces ou accessoires non conçus pour ce produit Modern Forms pourrait causer des dommages corporels ou matériels et pourrait également causer l'annulation de la garantie. Veuillez contacter un revendeur autorisé ou le fabricant si des pièces manquent ou sont endommagées.

NOTE D'ENTRETIEN: Les conditions côtières peut causer une accumulation de minéraux et de résidus sur le luminaire. Nous recommandons aux clients qui résident dans les zones côtières de nettoyer toutes les surfaces externes du luminaire une fois toutes les deux semaines avec un chiffon humide.

HARDWARE

A



Wire Connector
Qty: 3pcs+1 Extra

B



Big Mounting Screw
Qty: 1 Extra

C



Small Mounting Screw
Qty: 2pcs+1 Extra

D



Plastic Anchor
Qty: 4pcs+1 Extra

E



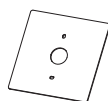
Round Head Wood Screw
Qty: 2pcs+1 Extra

F



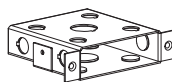
Flat Head Wood Screw
Qty: 2pcs+1 Extra

G



Decorative Plate
Qty: 1 PC

H



Slim Junction Box
Qty: 1 PC

I



Gasket
Qty: 2 pcs

modernforms.com
Phone (800) 526.2588
Fax (800) 526.2585

Headquarters/Eastern Distribution Center
44 Harbor Park Drive
Port Washington, NY 11050

Central Distribution Center
1600 Distribution Ct
Lithia Springs, GA 30122

Western Distribution Center
1750 Archibald Avenue
Ontario, CA 91760

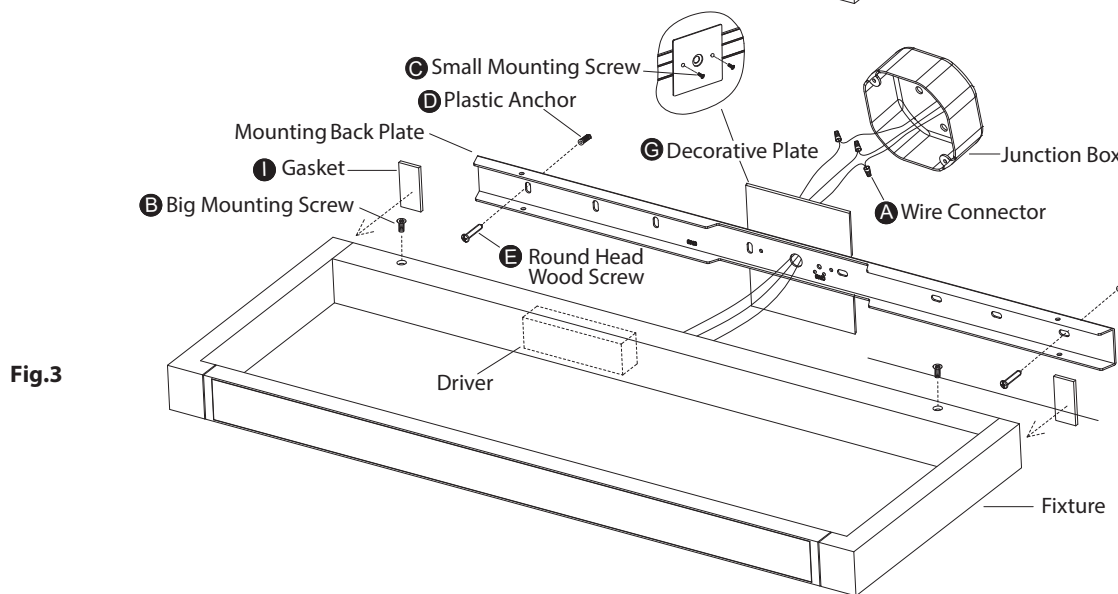
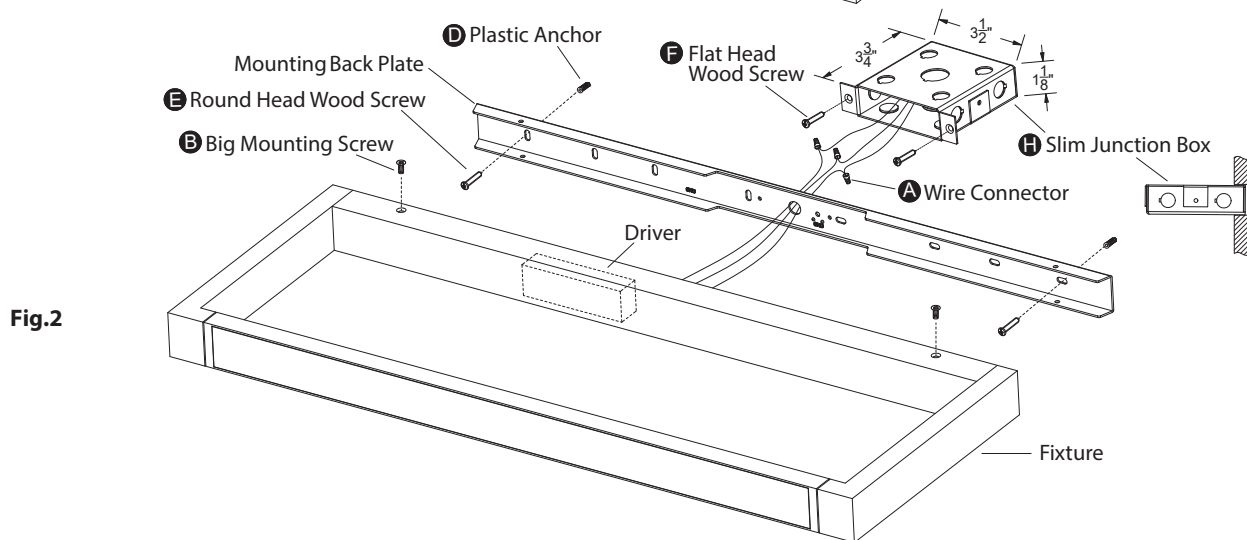
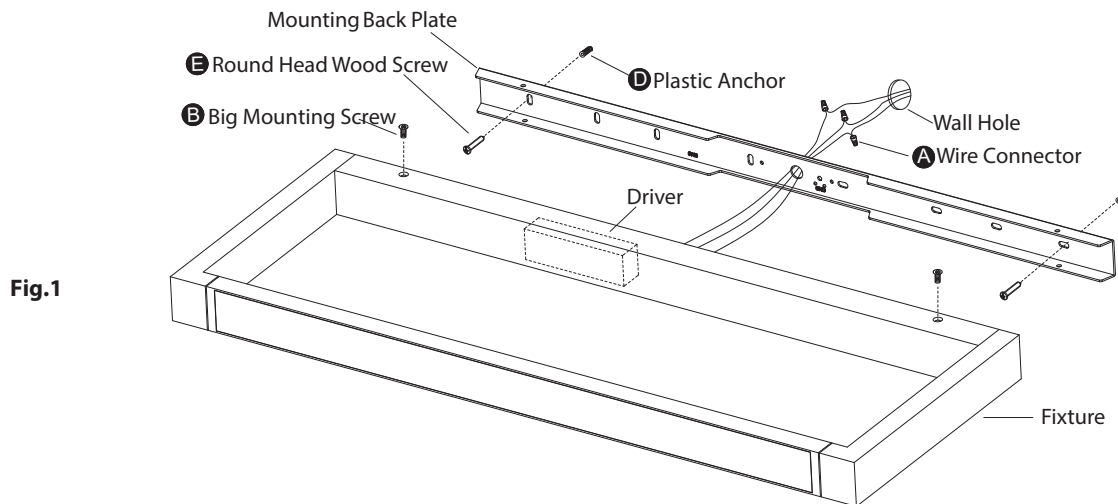


INSTALLATION INSTRUCTIONS

770-LED Wall Sconce

PL-77017/PL-77027

MODERN FORMS



modernforms.com
Phone (800) 526.2588
Fax (800) 526.2585

Headquarters/Eastern Distribution Center
44 Harbor Park Drive
Port Washington, NY 11050

Central Distribution Center
1600 Distribution Ct
Lithia Springs, GA 30122

Western Distribution Center
1750 Archibald Avenue
Ontario, CA 91760



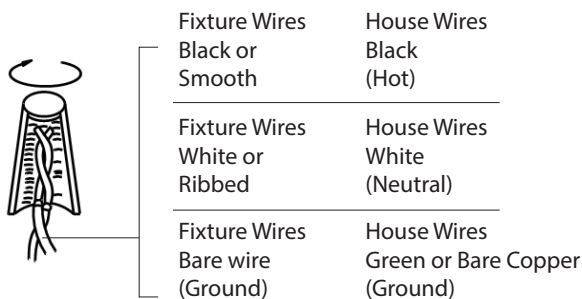
INSTALLATION INSTRUCTIONS

770-LED Wall Sconce

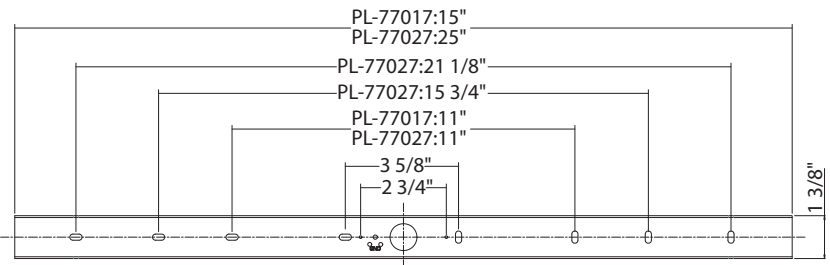
PL-77017/PL-77027

MODERN FORMS

Fig.4 Wiring



Mounting Backplate Dimensions



PREPARATION

1. Shut off the power at the circuit breaker and remove existing fixture, including the crossbar.
2. Carefully unpack your new fixture and lay out all the parts on a clear area. Be careful not to lose any small parts necessary for installation.

INSTALLATION

MOUNT WITHOUT JUNCTION BOX (Fig. 1)

1. Remove the mounting screw (B) from the fixture.
2. Drill holes in the wall aligned with the key holes located on the mounting back plate. Insert the plastic anchor (D).
3. Drill a small access hole in the wall behind the fixture and pull the house wires through the wall.
4. Fasten the mounting back plate to the wall using the round head wood screws (E) provided.
5. Connect the driver's wires to house wires as shown in Fig.4, making sure that all wire connectors (A) are secured. If your outlet box has a green or bare copper ground wire, connect the fixture's ground wire to it. Otherwise, tuck the fixture's ground wire directly to the fixture. After wires are connected, tuck them carefully inside the wall hole.
6. Secure the fixture to the mounting back plate using the big mounting screw (B).

MOUNT ON THE SLIM JUNCTION BOX (Fig. 2)

1. Replace or install newly slim junction as foundation to enclose all the wiring per code. Use the two flat head wood screws (F) provided to secure the slim junction box (H) on wall properly. Note: the junction box must be recessed about 1/8" into the surface of your wall.
 2. Follow step 1 to 6 according to "MOUNT WITHOUT JUNCTION BOX".
- Note:** no need to drill a small access hole in the wall.

MOUNT ON THE JUNCTION BOX (Fig. 3)

1. Remove the big mounting screw (B) from the fixture.
2. Secure the decorative plate (G) to the mounting back plate by fastening the small mounting screw (C) to the back of the decorative plate.
3. Drill holes in the wall aligned with the key holes located on the mounting back plate. Insert the plastic anchor (D).
4. Fasten the mounting back plate to the wall with the plastic anchors using the round head wood screws (E) provided; make sure to align the decorative plate to adequately cover the junction box wall opening.
5. Paste the gasket (I) to both end of the fixture.
6. Connect the driver's wires to house wires as shown in Fig.4, making sure that all wire connectors (A) are secured. If your outlet box has a green or bare copper ground wire, connect the fixture's ground wire to it. Otherwise, tuck the fixture's ground wire directly to the fixture. After wires are connected, tuck them carefully inside the junction box.
7. Secure the fixture to the mounting back plate using the big mounting screw (B).