

# INSTALLATION INSTRUCTIONS

For N7997-572-L

**WARNING! SHUT POWER OFF AT FUSE OR CIRCUIT BREAKER.**

**AVERTISSEMENT! COUPER LE COURANT AU NIVEAU DES FUSIBLES OU DU DISJONCTEUR.**

## MOUNTING THE FIXTURE (Fig. 1)

1. Shut off power at the fuse box or circuit breaker box and remove the old fixture including the mounting hardware.
2. Carefully unpack your new fixture from carton and check that all parts are included as shown in illustration.
3. Remove one of three screws (H) and loosen other two screws (H) on key holes (Do not remove). Then separate mounting plate (C) from canopy (J).
4. Attach mounting plate (C) to junction box (A) (not included) using mounting screws (E) (Size: #8-32\*1/2"L). The side of mounting plate marked "GND" must face out.

5. Determine desired hanging height and thread rods (K1 and K2) to all thread of cluster (O). Thread canopy (J) onto rod (K1). Pass wires carefully through each rod and canopy (J).

6. There're three drivers inside canopy, connect driver output wire to LED wire and secure with wire nuts (F) as below:

- Red driver output wire (labeled Output1+) to white LED wire (labeled LED1+)
- Blue driver output wire (labeled Output1-) to black LED wire (labeled LED1-)
- Red driver output wire (labeled Output2+) to red LED wire (labeled LED2+)
- Blue driver output wire (labeled Output2-) to black LED wire (labeled LED2-)
- Red driver output wire (labeled Output3+) to red LED wire (labeled LED3+)
- Blue driver output wire (labeled Output3-) to black LED wire (labeled LED3-)

**Noted: The pink and purple driver wires don't need to connect.**

7. The support cable is provided to support weight of fixture while wiring. Align fixture to mounting plate (C) and attach hook (D) on the end of support cable (G) into a slot located on mounting plate (C). Carefully allow support cable (G) to support weight of fixture while wiring.

## CONNECTION THE WIRES (Fig. 2)

8. Connect the electrical wires as shown in Fig. 2, making sure that all wire connectors are secured. If your outlet has a ground wire (green or bare copper), connect the fixture's ground wire to it. Otherwise, connect the fixture's ground wire directly to the mounting plate using the ground screw (N) provided.

9. Tuck wire connectors neatly into the junction box.

## FINISHING THE INSTALLATION (Fig. 1)

10. Align canopy (J) to mounting plate (C), place key holes of canopy (J) over the two screws (H) previously loosened, turn canopy (J) until it locks in place on key holes, then secure by tightening the two screws (H) previously loosened and the one previously removed.

11. By pushing in wire strainer (L) you can adjust wire.

Your installation is now complete. Return power to the junction box and test the fixture.

**CAUTION / ATTENTION:** When handling the fixture, do not apply pressure to the LEDs. Hold the fixture by the base or fixture body only.

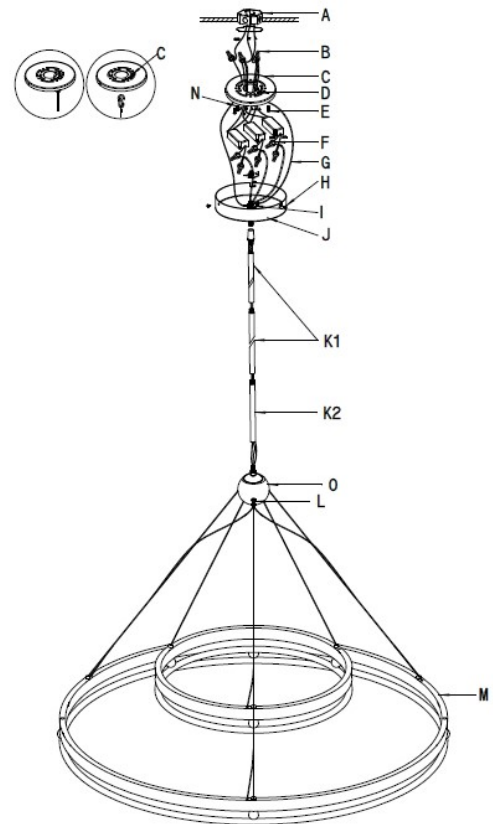
Dimmable with ELV and/or LED compatible wall dimmer switch.

**Fig. 1**

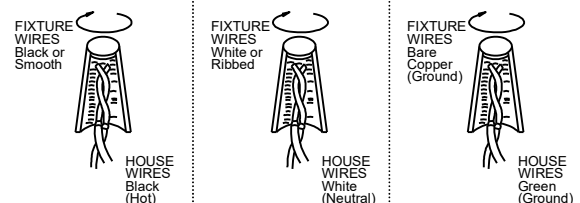
**Mounting Plate Set #:**

**A-021-175DA for N7997-572-L**

- Mounting plate (C)
- Ground screw (N)
- Mounting screw\*2 (E)



**Fig. 2**



**IMPORTANT:** Fixture should be installed by a qualified electrician to ensure proper wiring and installation.