

INSTALLATION INSTRUCTION FOR FIXTURE #N7988-420

WARNING! SHUT POWER OFF AT FUSE OR CIRCUIT BREAKER.
AVERTISSEMENT! COUPER LE COURANT AU NIVEAU DES FUSIBLES OU DU DISJONCTEUR.

Page:1/2

MOUNTING THE FIXTURE (FIG.1&FIG.3)

1. Shut off power at the fuse box or circuit breaker box and remove the old fixture including the mounting hardware.
2. Carefully unpack your new fixture and lay out all the parts in a clean area. Take care not to misplace any small parts necessary for installation.
3. Determine the desired height and thread rods (G1and G2) together. Screw loop (I1) to the rod (G1). Pass the wires carefully through each rod as you assemble
4. Attach the quick link (H) to the loop (I2) on the canopy (D). Carefully feed the wire through loop (I1), quick link (H) and loop (I2). Assemble the bottom end of rod into the coupling (J).
5. Attach the circular strap (B) to the junction box using the junction box screws (C). The side of the circular strap (B) marked "GND" must face out. Mounting screw can be adjustable if necessary.
6. The support cable is provided to support the weight of the fixture while wiring. Align the fixture to circular strap (B) and attach hook on the end of support cable (E) into a slot located on circular strap (B). Carefully allow the support cable (E) to support the weight of the fixture while wiring.

CONNECTING THE WIRES (FIG. 2)

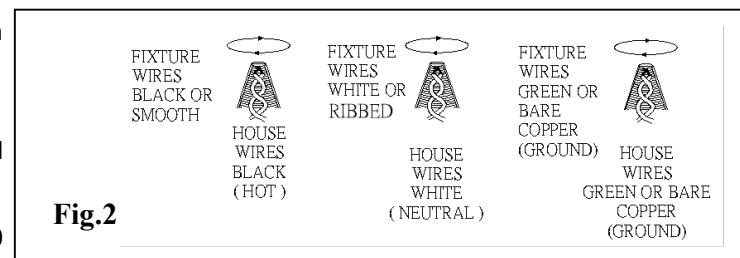
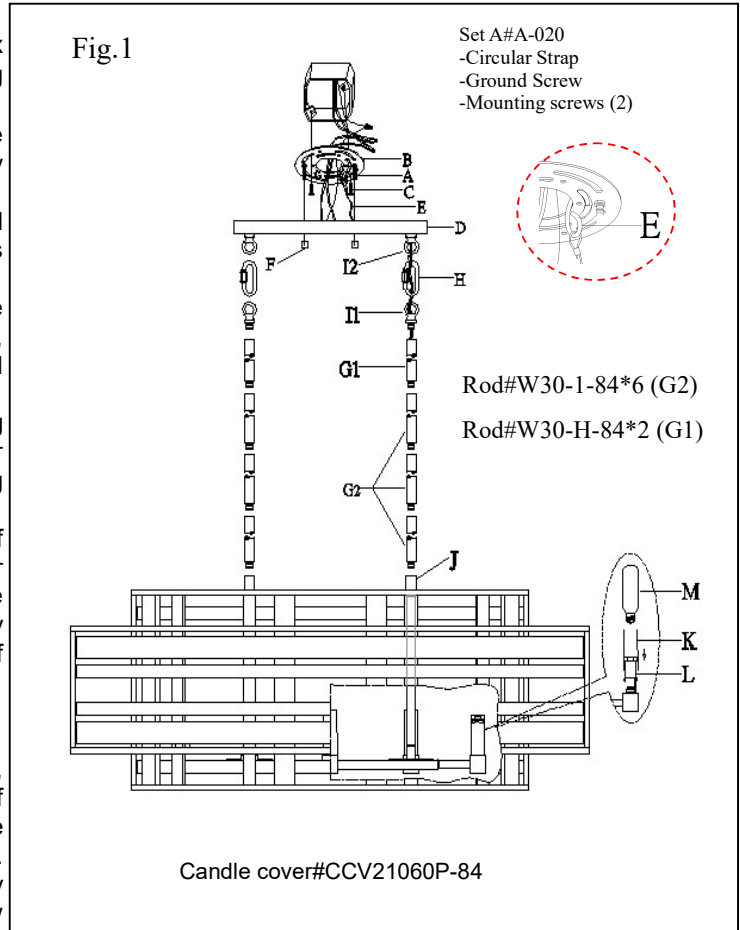
7. Connect the electrical wires as shown in Fig. 2, making sure that all wire connectors are secured. If your junction box has a ground wire (green or bare copper), connect the fixture's ground wire to it. Otherwise, connect the fixture's ground wire directly to the circular strap (B) using the green screw provided.
8. Tuck the wire connections neatly into the junction box.

COMPLETING THE INSTALLATION (Fig. 1)

9. Raise the fixture over the mounting screws (A) and secure with decorative nuts (F).
10. Place the candle covers (K) over the sockets (L).
11. Install (8) eight candelabra base bulbs (M) up to 60 watts each or CFL or LED equivalent (not included) in accordance with the fixture specification—**DO NOT EXCEED THE MAXIMUM WATTAGE RATING! (NE PAS DEPASSER LA PUISSANCE NOMINALE MAXIMALE!)**.

Your installation is now complete. Return power to the junction box and test the fixture.

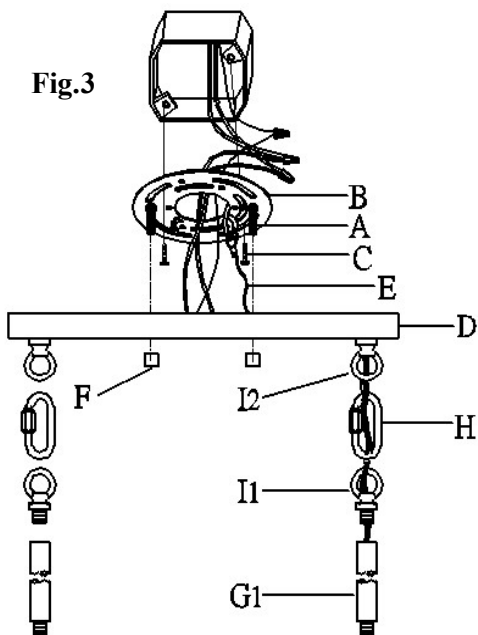
Note: Illustration (Fig. 1) on this manual is for installation purposes only. It may or may not be identical to the fixture purchased.



#N7988-420

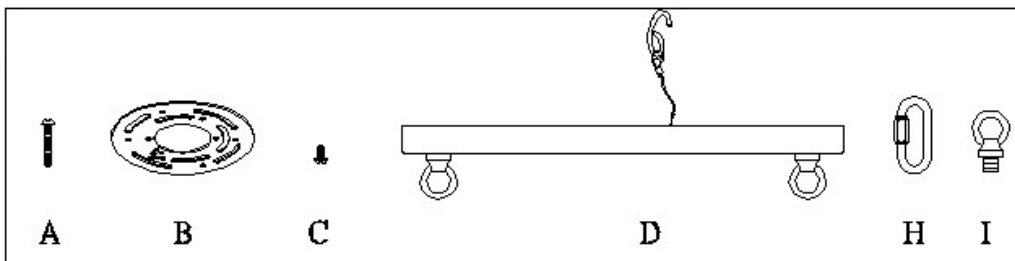
Page:2/2

Fig.3



a. Hardware Bag:

- A. Mounting Screw with nut*2
- B. Circular Strap*1
- C. Screw*2
- D. Canopy*1
- H. Quick Link*2
- I. Loop*2



b. Hardware Bag:

- G1. ROD 6**2
- G2. ROD 12**6

