

# INSTALLATION INSTRUCTIONS

Item #N7845-711 (04/07/2020)

## READ AND SAVE THESE INSTRUCTIONS

**WARNING! SHUT POWER OFF AT FUSE OR CIRCUIT BREAKER.**  
**AVERTISSEMENT! COUPER LE COURANT AU NIVEAU DES FUSIBLES OU DU DISJONCTEUR.**

### PREPARING THE FIXTURE (Fig.2)

1. Carefully unpack the new fixture and lay out all the parts on a clear area. Take care not to lose any parts necessary for installation.
2. By measuring, determine the desired hanging height and thread rods (B) into the top nipple of the fixture body. Press the wire restraint to adjust the length of cable (D).
3. Carefully pass the fixture wires through each rod as you assemble.
4. Pass the wires through the loop and canopy (C) and pull tight. Then thread the loop onto the top of rods.

### MOUNTING THE FIXTURE (Fig.1)

5. Shut off the power at the fuse box or circuit breaker. If necessary, remove the old fixture, including the mounting hardware.
6. The mounting strap contains several pairs of threaded holes, find the pair of holes that match the holes spacing in your fixture canopy and thread the two fixture screws 1/4 into the fixture mounting strap.
7. Attach mounting strap to the outlet box using the box screws (Size: #8-32\*0.5L). The side of the mounting strap marked "GND" must face out.
8. Hook the hook of supporting cable to the mounting strap.

### CONNECTING THE WIRES (Fig. 3)

9. At this point, connect the electrical wires as shown in Fig. 3, making sure that all wire connectors are secured. If your outlet box has a ground wire (green or bare copper), connect the fixture's ground wire to it. Otherwise, connect the fixture's ground wire directly to the mounting strap using the green screw provided. After the wires are connected, tuck them carefully inside the outlet box.

### FINISHING THE INSTALLATION (Fig.1 & 2)

10. Place fixture canopy (C) over two fixture screws (or nipple) and secure with decorative nuts.
11. Place candle cover (A) on the socket.
12. Install (5) five candelabra base bulbs up to 60 watts each or CFL or LED equivalent (not included) in accordance with the fixture specification—**DO NOT EXCEED THE MAXIMUM WATTAGE RATING! (NE PAS DEPASSER LA PUISSANCE NOMINALE MAXIMALE!)**.

Your installation is now complete. Return power to the outlet box and test the fixture.

**Note: Illustration on this manual is for installation purposes only. It may or may not be identical to the fixture purchased. Do not clean your light fixture or parts with water or cleanser.**

Fig.1

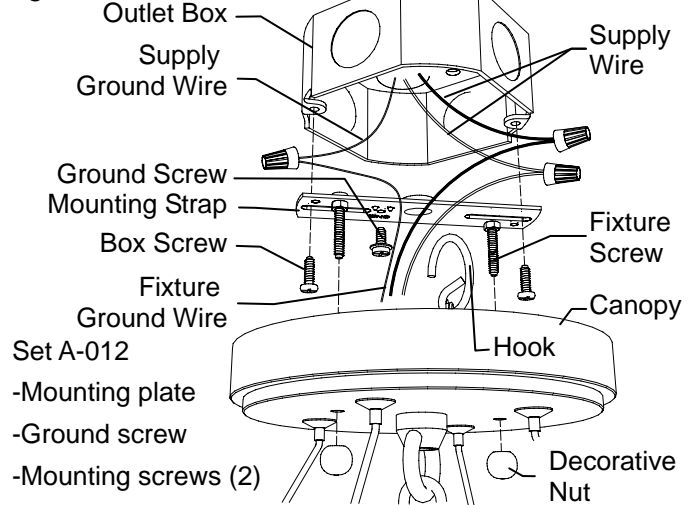


Fig.2

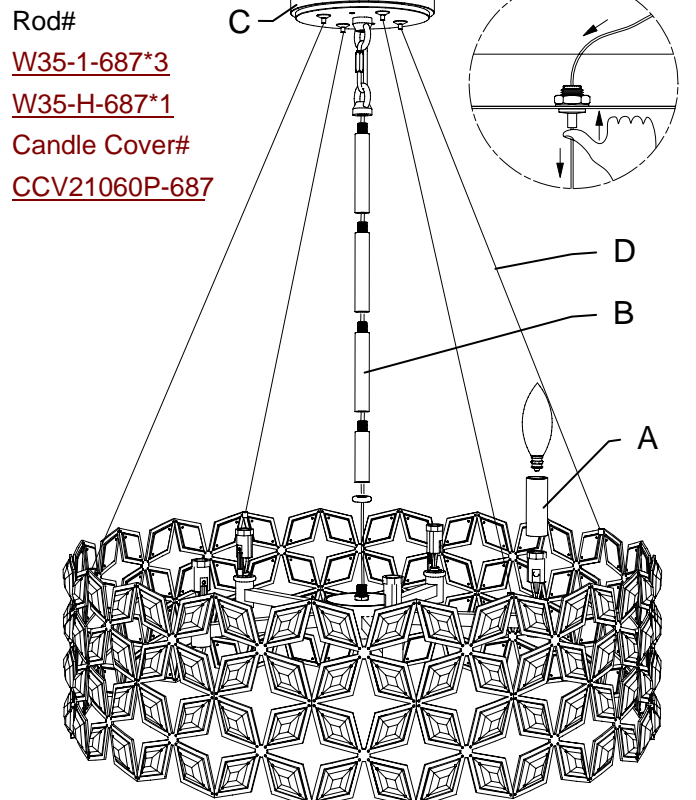
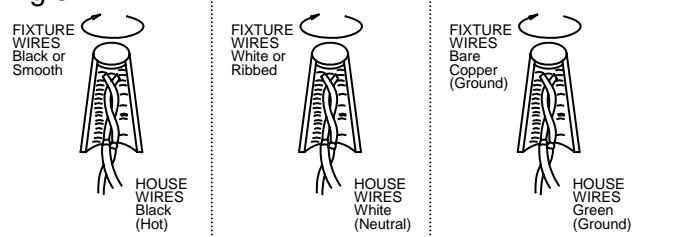


Fig.3



american  
lighting  
association