

# INSTALLATION INSTRUCTIONS

Item#N7521-716-L (New. 2022/05/19)

## READ AND SAVE THESE INSTRUCTIONS

**WARNING! SHUT POWER OFF AT FUSE OR CIRCUIT BREAKER.**

**AVERTISSEMENT! COUPER LE COURANT AU NIVEAU DES FUSIBLES OU DU DISJONCTEUR.**

### MOUNTING THE FIXTURE (Fig.1)

1. Shut off power at the fuse box or circuit breaker box and remove the old fixture including the mounting hardware.
2. Carefully unpack your new fixture and lay out all the parts in a clear area. Take care not to misplace any small parts necessary for installation.
3. Loosen screws (C) to remove mounting plate (A) from fixture body (D).
4. Attach mounting plate (A) to junction box (Not included) using mounting screws (B). The side of mounting plate (A) marked "GND" must face out.

### CONNECTING THE WIRES (Fig. 2)

5. Connect the electrical wires as shown in Fig. 2, making sure that all wire connectors are secured. If your junction box has a ground wire (green or bare copper), connect fixture's ground wire to it. Otherwise, connect fixture's ground wire directly to mounting plate (A) using green screw provided.
6. Tuck the wire connections neatly into junction box.

### FINISHING THE INSTALLATION (Fig.1)

7. Place fixture body (D) over mounting plate (A) and secure with screws (C).

Your installation is now complete. Return power to the junction box and test the fixture.

**Note: Illustration (Fig.1) on this manual is for installation purposes only. It may or may not be identical to the fixture purchased.**

Fig. 1

Set# A-021-120170  
-Mounting Screw \*2  
-Ground Screw  
-Mounting Plate

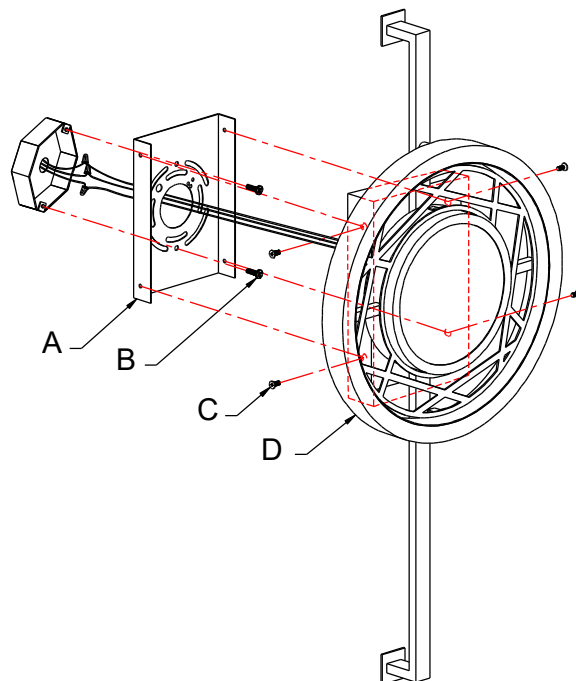
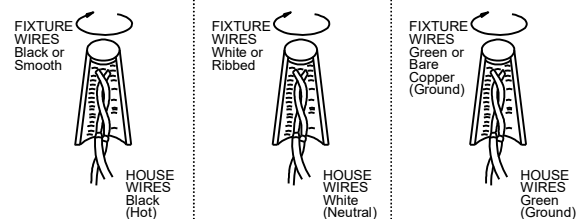


Fig. 2



Dimmable with ELV and/or LED compatible wall dimmer switches.