

**INSTALLATION INSTRUCTIONS FOR FIXTURE**  
Item#N7338-790 (New. 2022/5/11)

**WARNING! SHUT POWER OFF AT FUSE OR CIRCUIT BREAKER.**  
**AVERTISSEMENT! COUPER LE COURANT AU NIVEAU DES FUSIBLES OU DU DISJONCTEUR.**

**ASSEMBLING THE FIXTURE (FIG. 1)**

1. Shut off power at the fuse box or circuit breaker box and remove the old fixture including the mounting hardware.
2. Carefully unpack your new fixture and lay out all parts in a clean area. Take care not to misplace any small parts necessary for installation.
3. Secure rod (P) into spider (L), and tighten until snug. Then place shade (R) into rod (P), and tighten with finial (Q)
4. Place shade (K) onto spider (L), and tighten with screws (J).
5. Secure rod (I) into all thread (U) of fixture body (N).
6. Place upper frame (H) onto all thread of rod (I). Make sure upper decorative cage (H) is on the right position of spider (L). Then thread fixture loop (G) onto all thread of rod (I) until tight.

**MOUNTING THE FIXTURE (FIG. 2)**

7. Thread all thread (B) into ceiling loop (D) with lock washer (Y1) and hex nut (Y2) until snug.
8. Thread other end of all thread (B) into crossbar (A) with lock washer (Y1) and hex nut (Y2) until snug. Note: The length of all thread into crossbar may be adjusted if necessary.
9. Take crossbar assembly and mount to ceiling junction box (Not included) using mounting screws (T) (Size: #8-32N\*L1"). The side of crossbar marked "GND" must face out.
10. Attach quick link (E) to fixture loop (G) and chain (F). Quick link must be completely closed when installed. By measuring, determine correct number of links needed for desired hanging height. Use a pair of chain pliers to open one end link of chain and discard excess chain. Slip lock collar (S), canopy (C) over chain (F). Attach another quick link (E) to other end of chain (F). Raise fixture and attach quick link (E) to ceiling loop (D), then close the quick link (E). Carefully lace fixture wires through chain links and pull until tight. Feed wires through lock collar, canopy, ceiling loop and all thread, then pull until tight.

**CONNECTING THE WIRE (FIG. 3)**

11. Connect the electrical wires as shown in Fig. 3, making sure that all wire connectors are secured. If your junction box has a ground wire (green or bare copper), connect the fixture's ground wire to it. Otherwise, connect the fixture's ground wire directly to the crossbar using the green screw provided.
12. Tuck wire connectors neatly into the ceiling junction box.

**COMPLETING THE INSTALLATION (FIG. 1)**

13. Raise canopy (C) to ceiling and secure with lock collar (S).
14. Install (8) eight candelabra base bulbs (M) up to 60 watts each or CFL or LED equivalent (not included) in accordance with the fixture specification.  
**—DO NOT EXCEED THE MAXIMUM WATTAGE RATING! (NE PAS DEPASSER LA PUISSANCE NOMINALE MAXIMALE!)**
15. Thread finial of crystal ball (S) onto all thread (O) at the bottom center of fixture body (N) until snug.

Your installation is now complete. Return power to the junction box and test the fixture.

**Note: Illustration (Fig. 1) on this manual is for installation purposes only. It may or may not be identical to the fixture purchased.**

Fig. 1

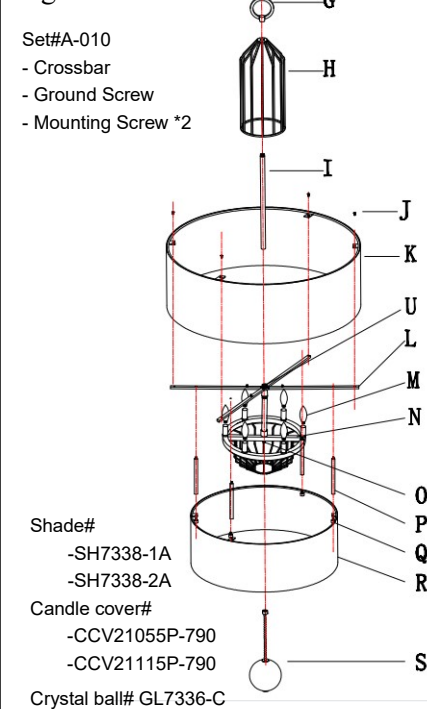


Fig. 2

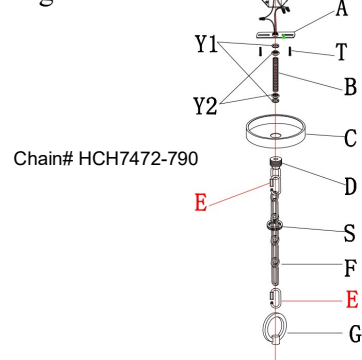
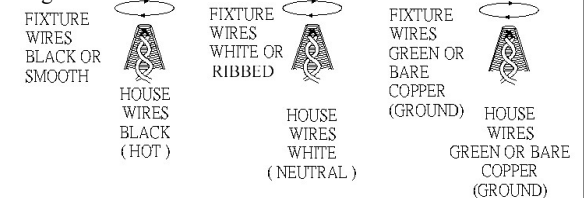


Fig. 3



Notice: It is important to use proper chain pliers (not included) To OPEN and CLOSE the chain included with this fixture. Do not open them with other tools that may twist or stress the chain links. It is important to use proper chain pliers like the ones shown in the diagram.

