

INSTALLATION INSTRUCTIONS

Item #N6967-1-267B (Rev. 11/24/2015)
READ AND SAVE THESE INSTRUCTIONS

WARNING! SHUT POWER OFF AT FUSE OR CIRCUIT BREAKER.

AVERTISSEMENT! COUPER LE COURANT AU NIVEAU DES FUSIBLES OU DU DISJONCTEUR.

ASSEMBLING THE FIXTURE (Fig.1)

1. Shut off the power at the fuse box or circuit breaker. If necessary, remove the old fixture, including the mounting hardware.
2. Carefully unpack the new fixture and lay out all the parts on a clear area. Take care not to lose any parts necessary for installation.
3. Place the loop (A) onto the fixture body (B) and pass wires through until taut.
4. Insert the large glass panels (J) into the fixture body (B), and secure with the clips on the bottom.
5. Place the glass shield (L) onto the bottom metal frame (M), then insert the small glass panels (K) into metal frame and secure with the clips on the bottom.
6. Align the holes on the inner metal frame (M) to the fixture body (B) and secure with the screws (H).
7. Install the light bulb(s) (not included) in accordance with the fixture's specifications. **(DO NOT EXCEED THE MAXIMUM WATTAGE RATING!) (NE PAS DEPASSER LA PUISSANCE NOMINALE MAXIMALE!)**
8. Place the glass shields (D) over the studs (F) located on the support plate (C), then place bushing (E) over the studs and secure with the knurled knobs (G).

HANGING THE FIXTURE (Fig. 2)

NOTE: For a safe and secure installation, this fixture must be installed by means of support that is independent of the outlet box. (Note – For heavy fixtures hickey and cable lock are provided, other required hardware to be supplied by installer)

SUGGESTED INSTALLATION:

9. Install a 1/4 IPS pipe (not provided) with one end securely mounted to a beam or a structural member. The other end should protrude through the center of the outlet box as shown.
10. Assemble the ceiling loop, nipple, nuts and hickey to center 1/4 IPS support pipe and adjust overall length to allow the ring to hold the canopy flush to the ceiling. When the adjustments have been completed, secure with the three hex nuts, as shown.
11. Attach the chain to the fixture loop using quick link. Quick link must be completely threaded closed when installed. By measuring determine correct number of links needed for proper hanging height. Use a pair of pliers to open one end link of the chain, and discard un-wanted chain. Slip lock collar and canopy over the chain. Open quick link, add to the other end link of the chain and lift the fixture to attach to the ceiling loop, close the quick Link.
12. Lace the fixture wires, ground and safety cable through the chain, lock collar, canopy and ceiling loop, exiting through the side of hickey. Place the safety cable through the lock and coil around the hickey twice, secure the lock at this point. Then feed cable through the top of the outlet box and secure to a structural member.

CONNECTING THE WIRES (Fig. 3)

13. At this point, connect the electrical wire as shown in (Fig.3) making sure that all wire connectors are secured. If your outlet has a ground wire (green or bare copper), connect the fixtures ground wire to it. Otherwise, connect the fixture's ground wire directly to the outlet box. Tuck these wire connections neatly into the ceiling junction box and then raise the canopy all the way to the ceiling.
14. Raise the lock collar and thread onto ceiling loop protruding through canopy.

Your installation is now complete. Return power to the junction box and test the fixture.

Note: Illustration (Fig. 1) on this manual is for installation purposes only. It may or may not be identical to the fixture purchased.

Fig. 1

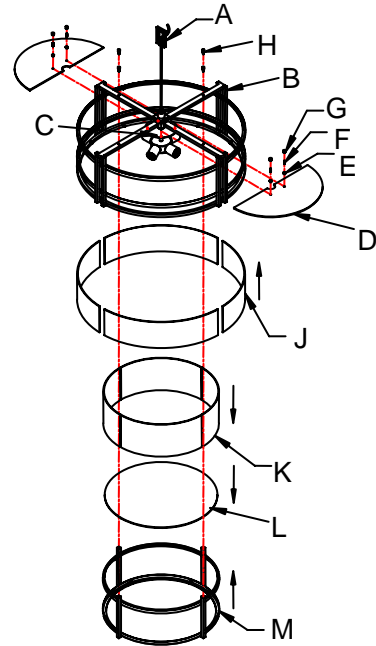


Fig. 2

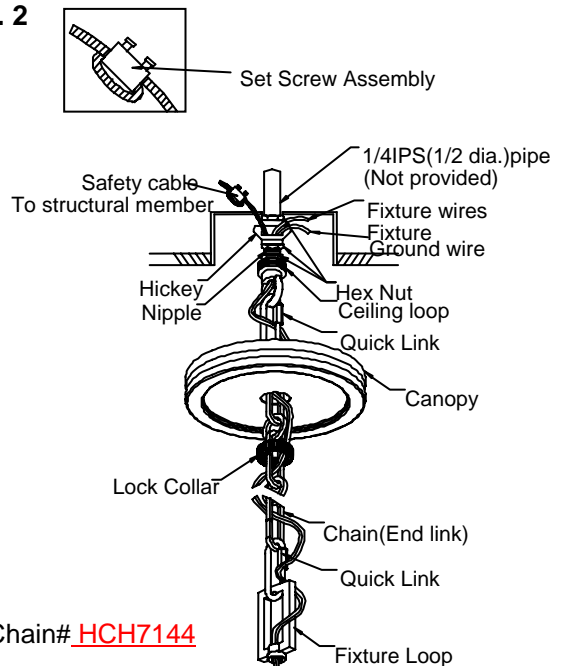
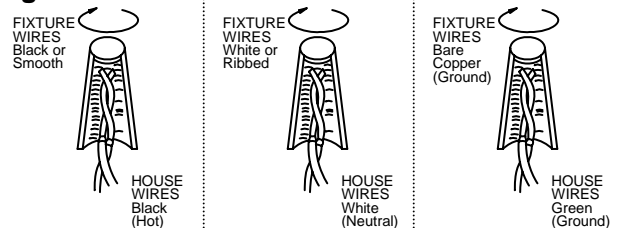


Fig. 3



Notice: It is important to use proper chain pliers (not included) To OPEN and CLOSE the chain included with this fixture. Do not open them with other tools that may twist or stress the chain links. It is important to use proper chain pliers like the ones shown in the diagram.



LA-2169E