

INSTALLATION INSTRUCTIONS

Item#N6695-857 (New. 9/24/2022)

READ AND SAVE THESE INSTRUCTIONS

WARNING! SHUT POWER OFF AT FUSE OR CIRCUIT BREAKER.

AVERTISSEMENT! COUPER LE COURANT AU NIVEAU DES FUSIBLES OU DU DISJONCTEUR.

PREPARATION (Fig. 1)

1. Shut off power at the fuse box or circuit breaker box and remove the old fixture including the mounting hardware.
2. Carefully unpack your new fixture and lay out all the parts in a clean area. Take care not to misplace any small parts necessary for installation.

ASSEMBLING THE FIXTURE WITH SWIVEL (Fig. 1)

3. Determine desired hanging height and thread rods (F & G) to metal arm (H). Then thread swivel (L) of canopy (D) onto rod (F). Pass wires carefully through each rod as you assemble.
4. Thread screws (A) into pre-drilled holes in circular strap (B) spaced same distance apart as holes in canopy (D). The length of screws (A) may be adjusted if necessary. Then tighten with washer and hex nut.
5. Attach circular strap (B) to the junction box (Not included) using mounting screws (C) (Size: #8-32N*L1"). The side of circular strap marked "GND" must face out.
6. The support cable is provided to support weight of fixture while wiring. Align fixture to circular strap (B) and attach hook (M) on end of support cable into a slot located on circular strap (B). Carefully allow support cable to support the weight of the fixture while wiring.

CONNECTING THE WIRES (Fig. 2)

7. Connect electrical wires as shown in fig. 2, making sure that all wire connectors are secured. If your junction box has a ground wire (green or bare copper), connect fixture's ground wire to it. Otherwise, connect fixture's ground wire directly to circular strap (B) using green screw provided.
8. Tuck the wire connectors neatly into the junction box.

COMPLETING THE INSTALLATION (Fig. 1)

9. Raise canopy (D) over circular strap (B) aligning holes on canopy with screws (A) and secure with cap nuts (E).
10. Install (5) five candelabra base bulbs (I) up to 60 watts each or CFL or LED equivalent (not included) in accordance with the fixture specification — **DO NOT EXCEED THE MAXIMUM WATTAGE RATING! (NE PAS DEPASSER LA PUISSANCE NOMINALE MAXIMALE!)**.

Your installation is now complete. Return power to the junction box and test the fixture.

Note: Illustration (Fig. 1) on this manual is for installation purposes only. It may or may not be identical to the fixture purchased

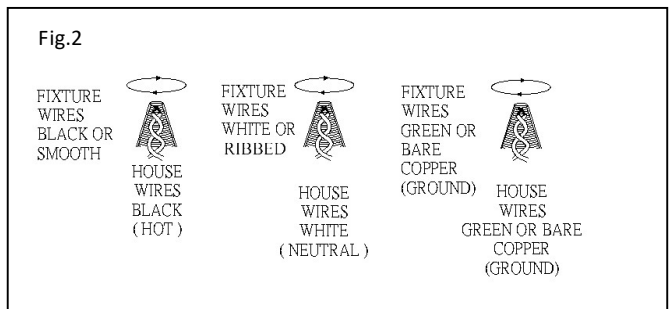
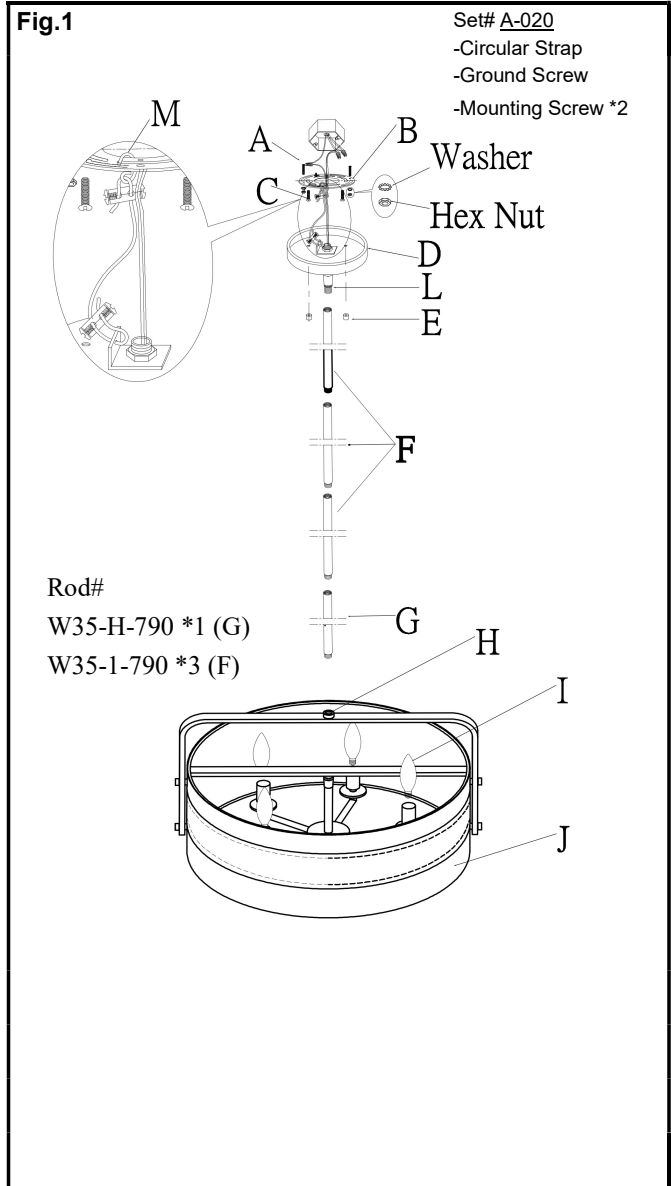
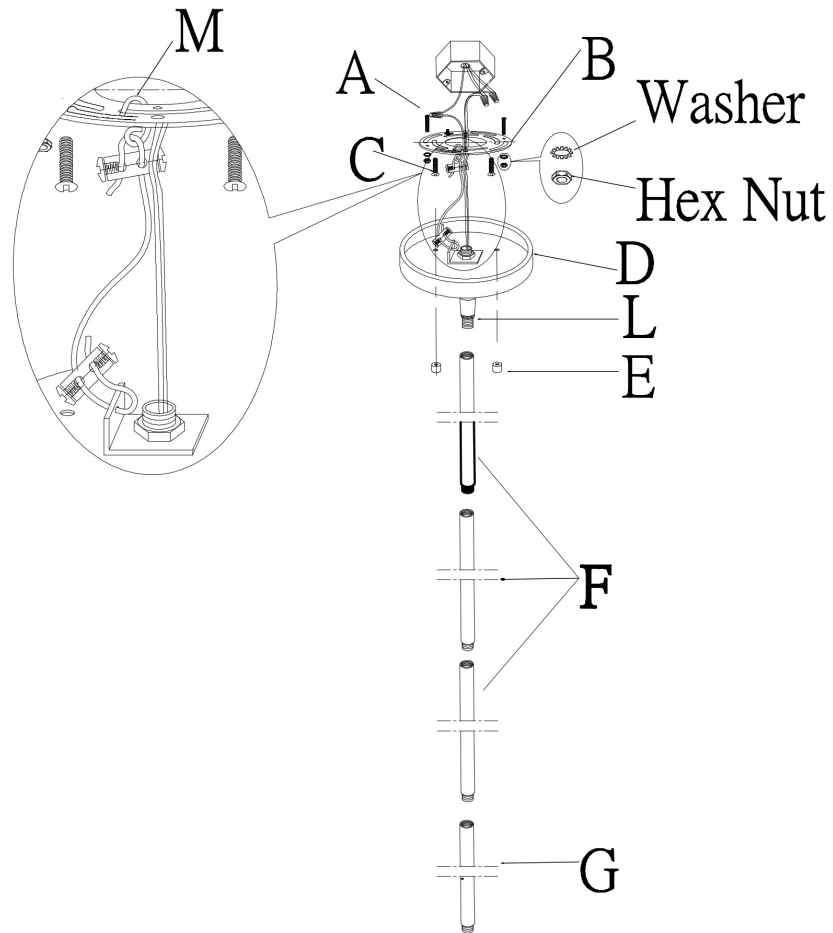
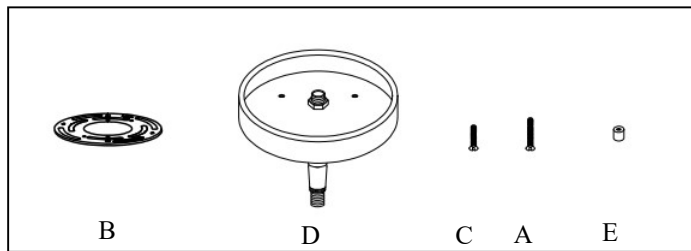


Fig.3



a. Hardware Bag:

- A. Screw *2
- B. Circular Strap *1
- C. Mounting Screw *2
- D. Canopy *1
- E. Finial *2



b. Hardware Bag:

- F. 12" Rod *3
- G. 6" Rod *1

