

INSTALLATION INSTRUCTIONS

Item #N6589-272 (04/23/2014)

READ AND SAVE THESE INSTRUCTIONS

WARNING! SHUT POWER OFF AT FUSE OR CIRCUIT BREAKER.
AVERTISSEMENT! COUPER LE COURANT AU NIVEAU DES FUSIBLES OU DU DISJONCTEUR.

PREPARING THE FIXTURE (Fig.2)

1. Shut off the power at the fuse box or circuit breaker. If necessary, remove the old fixture, including the mounting hardware.
2. Carefully remove the new fixture from the carton and check that all parts are included as shown in the illustration.
3. Feed the wires from the socket assembly through the caps and tubes (F). Then place the caps over the nipple and secure with tubes (F).
4. Raise the socket assembly to the top of frame (E).
5. Place frame (E), column (D) and crystal (C) over the nipple of tube (F) and secure with column (B).
6. Determine the desired hanging height and thread rods (A) onto nipple protruding through coupling (B). Carefully pass the wires through each rod as you assemble.
7. Feed the wires through coupling (G) and canopy. Then secure the coupling (G) to the nipple of the top rod (A).
8. Feed the wires through the canopy and protrude the top nipple of coupling (G) through the canopy.
9. Place a washer and hex nut onto the nipple of coupling (G) protruding through canopy. Then thread the hex nut until snug.

MOUNTING THE FIXTURE (Fig.1)

10. Position mounting plate on the ceiling and mark the location of the fasteners. Remove the mounting plate and pre-drill the holes for the fasteners. Then insert the fasteners into the ceiling.
11. Insert the fixture screws from the back of the mounting plate.
12. Attach the mounting plate to the outlet box using the box screws (Size: #8-32*1.25L). The side of the mounting plate marked "GND" must face out.
13. Place the self tapping screws through the holes of the mounting plate and into the fasteners to secure the mounting plate to the wall.

CONNECTING THE WIRES (Fig. 3)

14. At this point, raise the fixture to the ceiling and connect the electrical wires as shown in Fig. 3. Be sure that all wire connectors are secured. If your outlet box has a ground wire (green or bare copper), connect the fixture's ground wire to it. Otherwise, connect the fixture's ground wire directly to the mounting plate using the green screw provided. After the wires are connected, tuck them carefully inside the outlet box.

FINISHING THE INSTALLATION (Fig.1 & 2)

15. Place the fixture canopy over the two fixture screws and secure with decorative nuts.
16. Install the light bulb(s) (not included) in accordance with the fixture's specifications. (DO NOT EXCEED THE MAXIMUM WATTAGE RATING!) (NE PAS DEPASSER LA PUISSANCE NOMINALE MAXIMALE!)

Your installation is now complete. Return power to the outlet box and test the fixture.

Fig.1

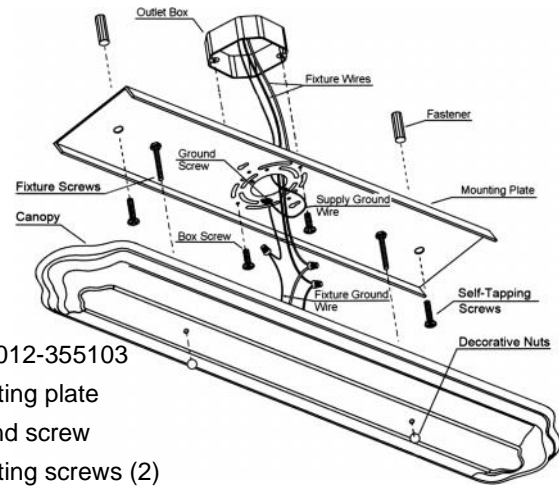


Fig.2

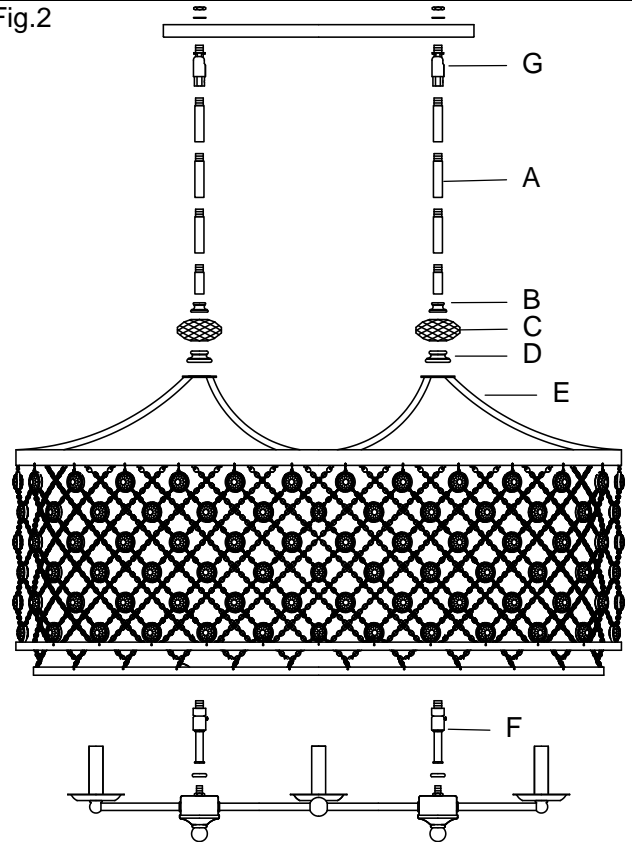


Fig.3

