

INSTALLATION INSTRUCTIONS

Item#N6553-690 (New. 2021/05/10)

READ AND SAVE THESE INSTRUCTIONS

WARNING! SHUT POWER OFF AT FUSE OR CIRCUIT BREAKER.
AVERTISSEMENT! COUPER LE COURANT AU NIVEAU DES FUSIBLES OU DU DISJONCTEUR.

ASSEMBLING THE FIXTURE (Fig. 1&Fig.2)

1. Shut off the power at the fuse box or circuit breaker. If necessary, remove old fixture, including mounting hardware.
2. Carefully remove the fixture from the carton and check that all parts are included as shown in the illustration.
3. Screw fixture loop (A) to the all thread (B).
4. Thread all thread into ceiling loop until snug.
5. Thread the other end of the all thread into the crossbar. Note: The length of the all thread into the crossbar may be adjusted if necessary.
6. Use lock washer and hex nut to secure all thread to crossbar.
7. Take this crossbar assembly and mount it to junction box (not included) with mounting screws (Size: #8-32N*L0.5"). The side of crossbar marked with "GND" must face out.
8. Attach quick link to fixture loop and chain. Quick link must be completely closed when installed. By measuring, determine the correct number of links needed for the desired hanging height. Use a pair of chain pliers to open one end link of the chain and discard excess chain. Slipped the lock collar and canopy over the chain. Attach a quick link to the other link of the chain. Raise fixture and attach quick link to the ceiling loop. Close the quick link. Careful lace fixture wires through chain links and pull until tight. Feed wires through the lock collar, canopy, ceiling loop and all thread and pull until tight.

CONNECTING THE WIRES (Fig. 3)

9. Connect the electrical wires as shown in Fig. 3, making sure that all wire connectors are secured. If your outlet box has a ground wire (green or bare copper), connect the fixture's ground wire to it. Otherwise, connect the fixture's ground wire directly to the crossbar using the green screw provided.
10. Tuck wire connections neatly into the junction box. Raise the canopy over ceiling loop and secure with loop collar.

FINISHING THE FIXTURE (Fig.1)

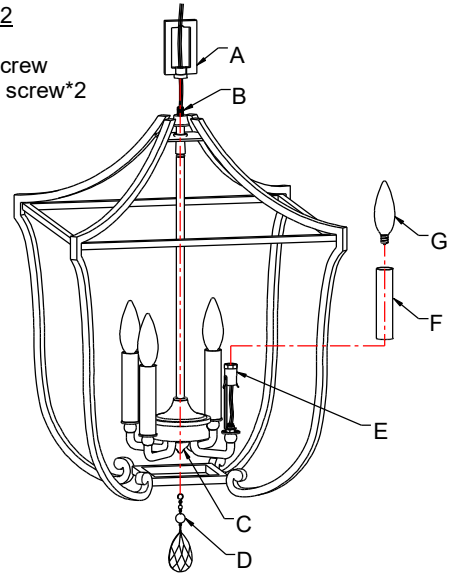
11. Place candle covers (F) over sockets (E).
12. Install (4) four candelabra base bulbs (G) up to 60 watts each or CFL or LED equivalent (not included) in accordance with the fixture specification — **DO NOT EXCEED THE MAXIMUM WATTAGE RATING! (NE PAS DEPASSER LA PUISSANCE NOMINALE MAXIMALE!)**
13. Attach crystal drop (D) on finial (C).

Your installation is now complete. Return power to the junction box and test the fixture.

Note: Illustration (Fig. 1) on this manual is for installation purposes only. It may or may not be identical to the fixture purchased.

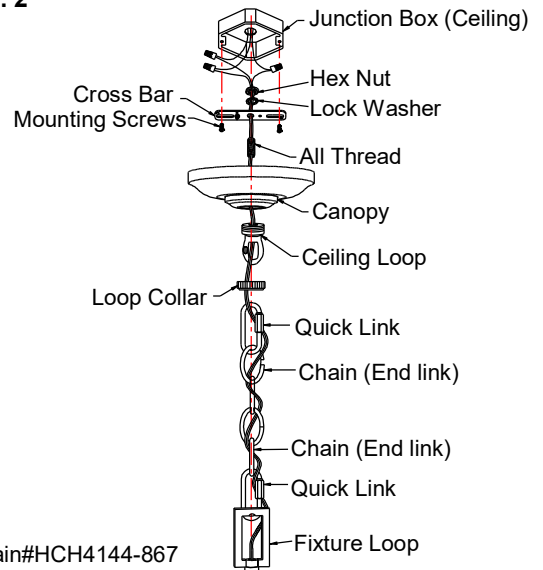
Fig. 1

- Set# A-012
 -Crossbar
 -Ground screw
 -Mounting screw*2



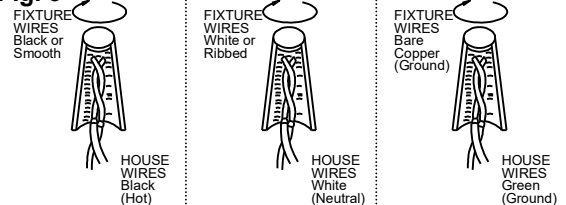
Candle cover# CCV24110P-209

Fig. 2



Chain#HCH4144-867

Fig. 3



Notice: It is important to use proper chain pliers (not included) To OPEN and CLOSE the chain included with this fixture. Do not open them with other tools that may twist or stress the chain links. It is important to use proper chain pliers like the ones shown in the diagram.



LA-3362E

