

INSTALLATION INSTRUCTIONS

Item# N1919-759

READ AND SAVE THESE INSTRUCTIONS

WARNING! SHUT POWER OFF AT FUSE OR CIRCUIT BREAKER.
VERTISEMENT! COUPER LE COURANT AU NIVEAU DES FUSIBLES OU DU DISJONCTEUR.

ASSEMBLING THE FIXTURE (Fig. 1)

1. Shut off power at the fuse box or circuit breaker box and remove the old fixture including the mounting hardware.
2. Carefully unpack your new fixture and lay out all the parts in a clean area. Take care not to misplace any small parts necessary for installation.
3. To begin assembly of your fixture, first thread the stem (st2) onto nipple (1b). Unscrew the set screw of the set screw assembly to allow the safety cable pass through.
4. Slip frame (fr) along safety cable (sc) and wires then lock with knurled nut (2).
5. Take the fixtures loop (J) and thread onto stem (st1), then slip along wire and safety cable (sc) and tighten.

HANGING THE FIXTURE (Fig. 2)

6. Install 1/4IPS pipe "not provided" with one end securely mounted to a beam of a structural member. The other end should protrude through the center of the outlet box as shown. Thread hickey (A) on the 1/4IPS pipe and tighten with hex nut (C).
7. Secure the hex nut (C) and washer (B) onto all thread (D), then all thread (D) into the hickey (A); and secure with hex nut (C) and washer (B) on all thread (D).
8. Thread ceiling loop (E) onto all thread (D) tightly. The nipple length maybe adjusted if necessary.
9. Determined the desired hanging height and discard the excess chain.
10. Open quick link (H) and attach it to fixture loop and close quick link. Slip collar ring (G) and canopy (F) over the chain (I) and allow them to rest on fixture body. Open other end of quick link (H) and attach to ceiling loop (E) and close quick link (H).
11. Feed fixture's wires and safety cable through the chain (I), ceiling loop (E) and all thread (D) and allow them to exit through the side of hickey (A). Secure safety cable the junction box with set screw assembly as shown in (Fig.2)

CONNECTING THE WIRE (Fig. 3)

12. Connect the electrical wire as shown in Fig. 3, making sure that all the wire connectors are secured. If your junction box has a ground wire (green, or bare copper), connect fixtures ground wire to it. Otherwise, consult with the professional electrician.
13. Tuck wire connections neatly into junction box (JB).
14. Raise canopy (F) over ceiling loop (E) and secure with collar ring (G)

FINISHING THE FIXTURE (Fig. 1)

15. Install 15x E12 base light bulbs (LB) up to 60 watts each or CFL or LED equivalent (not included) in accordance with the fixture specification.

ACCESSORIES INSTALLATION (Fig. 1)

16. Unwrap alabaster strands from their packing and arrange them according to size or length.
17. There are eleven different lengths of alabaster strands as shown in (Fig.1)
18. All alabaster strands have a hook attached. Place the hooks in the holes on metal frame (fr).
19. Install the alabaster strands in the following order. (f4), (a10), (a9), (a8), (a7), (a6), (a5), (a4), (a3), (a2), then (a1). Making it easier to assemble onto frame. Note: The hook on strand (14) is to be placed at the bottom of finial. Make sure all holes on metal frame have alabaster strands.

DO NOT EXCEED THE MAXIMUM WATTAGE RATING!
(NE PAS DEPASSER LA PUISSANCE NOMINALE MAXIMALE!)

Your installation is now complete. You can now turn the power ON and test the fixture.

Note: Illustration (Fig. 1) on this manual is for installation purposes only. It may or may not be identical to the fixture purchased.

WARNING: This luminaire must be mounted or supported independently of an outlet box

FIG. 1

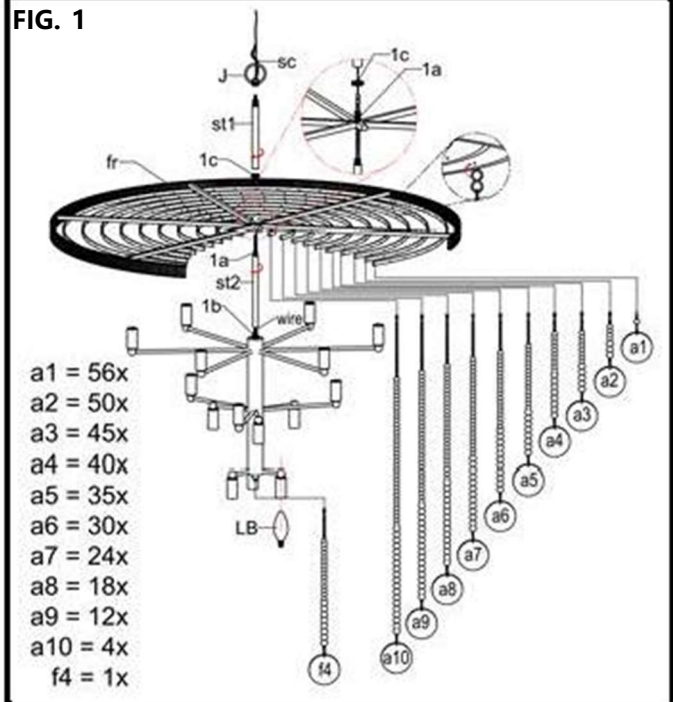
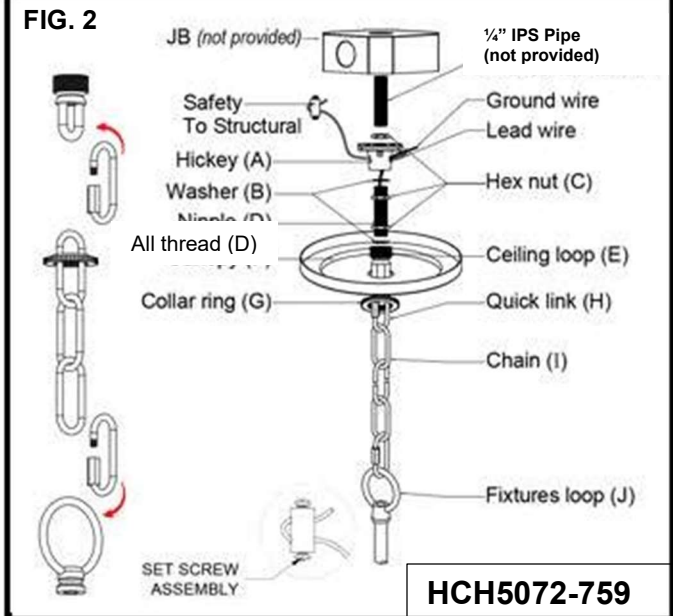
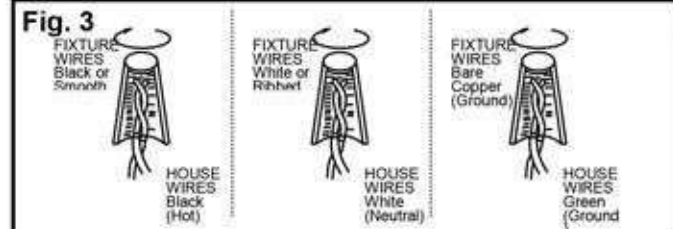


FIG. 2



HCH5072-759

Fig. 3



Notice: It is important to use proper chain pliers (not included) To OPEN and CLOSE the chain included with this fixture. Do not open them with other tools that may twist or stress the chain links. It is important to use proper chain pliers like the ones shown in the diagram.