

# INSTALLATION INSTRUCTIONS

Item# N1917-759

READ AND SAVE THESE INSTRUCTIONS

**WARNING! SHUT POWER OFF AT FUSE OR CIRCUIT BREAKER.**  
**VERTISEMENT! COUPER LE COURANT AU NIVEAU DES FUSIBLES OU DU DISJONCTEUR.**

## ASSEMBLING THE FIXTURE (Fig. 1)

1. Shut off power at the fuse box or circuit breaker box and remove the old fixture including the mounting hardware.
2. Carefully unpack your new fixture and lay out all the parts in a clean area. Take care not to misplace any small parts necessary for installation.
3. To begin assembly of your fixture, first slip frame (fr) along wires then lock with knurled nut (2).
4. Take the fixtures loop (K) and thread onto stem (st1), then slip along wire and tighten.

## HANGING THE FIXTURE (Fig. 2)

5. Thread all thread (D) into ceiling loop (F) until snug.
6. Thread all thread (D) into crossbar. Note: The length of all thread (D) into crossbar maybe adjusted if necessary.
7. Use lock washer (B) and hex nut (E) to secure all thread (D) to crossbar (A).
8. Take crossbar assembly and mount to junction box (JB) "not provided" with 8-32 mounting screws. The side of crossbar (A) marked with "GND" must be face out.
9. Determined the desired hanging height and discard excess chain. Note: 2x quick links are provided and they must attach to both ends of chain (I).
10. Open quick link (G) and connect to loops (F/K). Then close quick link (G).
11. Slip canopy (H) and collar ring (J) over quick link (G) and allow them to rest on fixture loop (K).
12. Feed fixtures wires through ceiling loop (F) and crossbar assembly and all thread (D).

## CONNECTING THE WIRE (Fig. 3)

13. Connect the electrical wire as shown in Fig. 3, making sure that all the wire connectors are secured. If your junction box has a ground wire (green, or bare copper), connect fixture's ground wire to it. Otherwise connect fixture ground wire directly to crossbar (A) using green screw provided.
14. Tuck wire connections neatly into junction box (JB).
15. Raise canopy (H) over ceiling loop (F) and secure with collar ring (J).

## FINISHING THE FIXTURE (Fig. 1)

16. Install 8x E12 base light bulbs (LB) up to 60 watts each or CFL or LED equivalent (not included) in accordance with the fixture specification.

## ACCESSORIES INSTALLATION (Fig. 1)

17. To begin installing the accessories, unwrap alabaster strands from their packing, and arrange them according to size or length.
18. There are six different lengths of alabaster strands.
19. All alabaster strands have a hook on one end. Just take the hook at end of the strand and hook it through one end of the holes on frame.
20. It would be easier to install in this order: (f2),(a5),(a4),(a3),(a2), then (a1). Note: The strands (f2) is a hook and to be placed at the bottom finial. Make sure all holes on metal frame have alabaster strands.

**DO NOT EXCEED THE MAXIMUM WATTAGE RATING!**  
**(NE PAS DEPASSER LA PUISSANCE NOMINALE MAXIMALE!)**

Your installation is now complete. You can now turn the power ON and test the fixture.

**Note: Illustration (Fig. 1) on this manual is for installation purposes only. It may or may not be identical to the fixture purchased.**

FIG. 1

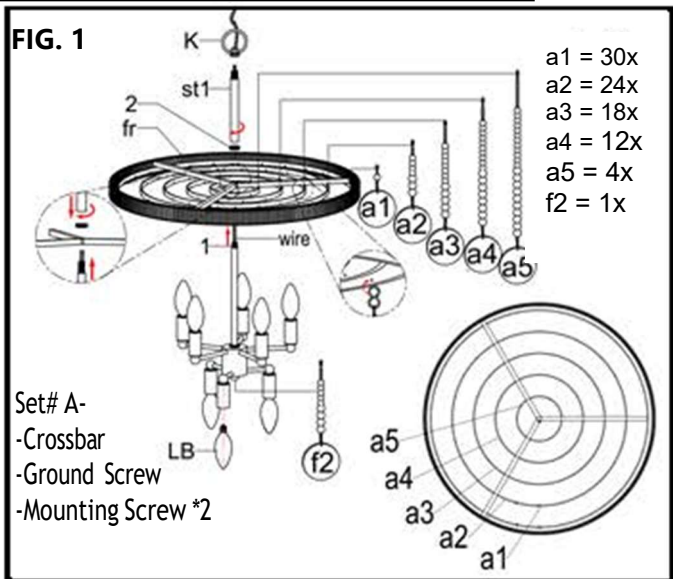


FIG. 2

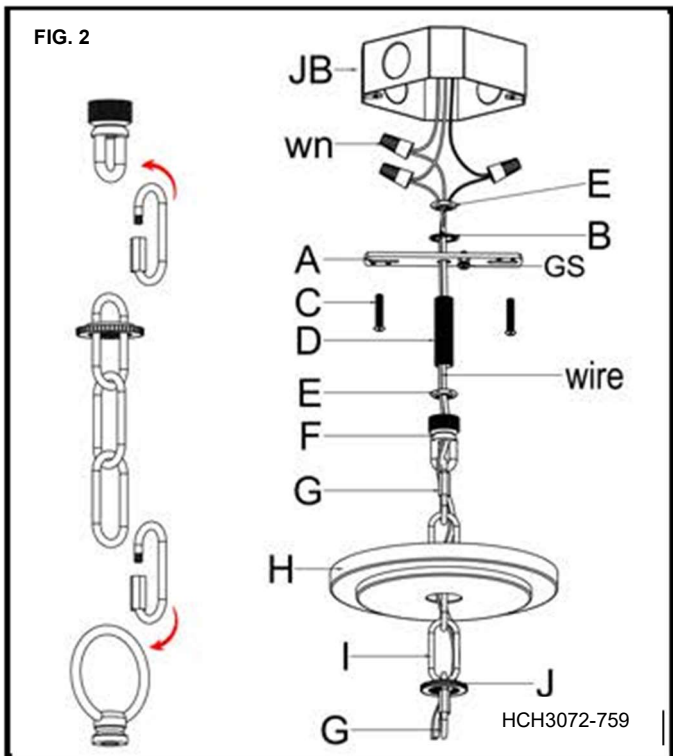
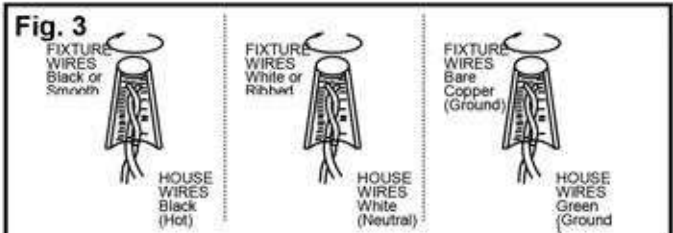


Fig. 3



Notice: It is important to use proper chain pliers (not included) to OPEN and CLOSE the chain included with this fixture. Do not open them with other tools that may twist or stress the chain links. It is important to use proper chain pliers like the ones shown in the diagram.

