

INSTALLATION INSTRUCTIONS

Item#N1741-613-L (Rev. 05/11/2015)

READ AND SAVE THESE INSTRUCTIONS

WARNING! SHUT POWER OFF AT FUSE OR CIRCUIT BREAKER.

AVERTISSEMENT! COUPER LE COURANT AU NIVEAU DES FUSIBLES OU DU DISJONCTEUR.

MOUNTING THE FIXTURE (Fig. 1)

1. Shut off the power at the fuse box or circuit breaker. If necessary, remove old fixture, including the mounting hardware.
2. Carefully remove the fixture from the carton and check that all parts are included as shown in the illustration.
3. Insert small sized glass sheets (H) into front of frame (I), and large sized glass sheets (G) into top and bottom of frame (I), secure them with clips on the frame (I). Then insert medium sized glass sheet (F) into left and right sides of frame (I).
4. Attach mounting plate (A) to the junction box using the mounting screws (B) (Size: #8-32N*L0.5"). The side of the mounting plate marked "GND" must face out.
5. Attach frame (I) to fixture body (C) using screws (E)

CONNECTING THE WIRES (Fig. 2)

6. At this point, connect the electrical wires as shown in Fig. 2, making sure that all wire connectors are secured. If your outlet box has a ground wire (green or bare copper), connect the fixture's ground wire to it. Otherwise, connect the fixture's ground wire directly to the mounting plate using the green screw provided. After wires are connected, tuck them carefully inside the junction box.

FINISHING THE INSTALLATION (Fig. 3)

7. Place fixture body (C) over the mounting plate (A), and secure with screws (D).

Your installation is now complete. Return power to the outlet box and test the fixture. When handling the fixture, do not apply pressure to the LEDs. Hold the fixture by the base or fixture body (C) only.

Note: Illustration (Fig. 3) on this manual is for installation purposes only. It may or may not be identical to the fixture purchased.

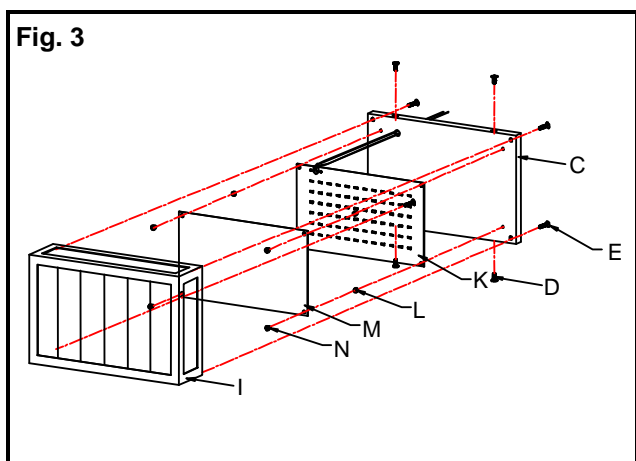
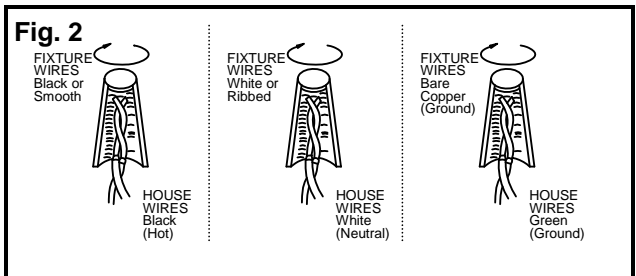
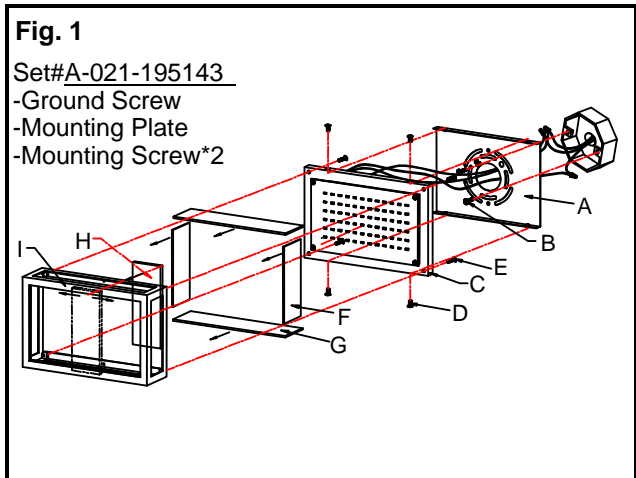
Replacing LED module (Fig.3)

The LED module can be replaced by a qualified electrician without cutting the wire and without damaging the decorative element to which the fixture is attached. See installation steps for more details (Fig.3)

Warning: Turn off power at the fuse box or circuit breaker before replacing the LED module.

- a. To remove the fixture from wall: loosen screws (D), and remove the wire connectors. Then place the fixture on a clear flat surface.
- b. Loosen screws (E) and remove frame (I).
- c. Loosen screws (N) and carefully remove the PC plate (M), washer (L) and LED module (K).
- d. Revise step a-c for installation the new LED module.

Note: The LED module should be provided by a specified supplier.



IMPORTANT: FIXTURE SHOULD BE INSTALLED BY A QUALIFIED ELECTRICIAN TO ENSURE PROPER WIRING AND INSTALLATION.

Dimmable with ELV and/or LED compatible wall dimmer switches.

