

# INSTALLATION INSTRUCTIONS

Item#8881-A39/A61 (Rev. 05/10/2012)

READ AND SAVE THESE INSTRUCTIONS

**WARNING! SHUT POWER OFF AT FUSE OR CIRCUIT BREAKER.**

**AVERTISSEMENT! COUPER LE COURANT AU NIVEAU DES FUSIBLES OU DU DISJONCTEUR.**

## PREPARATION (Fig. 1)

1. Shut off power at the circuit breaker and remove the old fixture including the mounting hardware.
2. Carefully unpack your new fixture and lay out all the parts on a clear area. Take care not to lose any small parts necessary for installation.
3. Remove finial (H) from the fixture. Secure the scrolled end of arm (F) to the top of the fixture with finial (E). Next, secure the straight end of arm (F) to backplate (P) using knurled knobs (G) washers (I) and hex nuts (J).
4. Replace finial (H), previously removed.
5. Mount the reinforcement plate (K) to the junction box and secure with screws (M) through the holes in the middle of the plate. For additional stability on large fixtures, use the 4 screws and anchors (L & N) provided. The side of the reinforcement plate marked "GND" must face out. (Fig. 1)

## CONNECTING THE WIRES (Fig. 2)

6. Connect the electrical wire as shown in figure 2, making sure that all wire connectors are secured. If your outlet has a ground wire (green or bare copper), connect the fixture ground wire to it. Otherwise, connect the fixture ground wire directly to the reinforcement plate using the green screw provided. After wires are connected, tuck them carefully inside the outlet box.

## COMPLETING THE INSTALLATION

7. Align the fixture to the mounting screws on the reinforcement plate (K) and secure fixture with knurled knobs (O). (Fig.1)
8. To prevent moisture from entering the outlet box and causing a short, use clear caulking (i.e. Indoor/Outdoor Silicone Sealant) to outline the outside of fixture backplate where it meets the wall leaving a space at bottom to allow moisture a means to escape. (Fig. 3)
9. Remove the bottom finial (A), lock washer (B) tube (R), and metal leaf (Q). Carefully slide out the bottom assembly (C). Remove any plastic bag material from the socket cluster. Proceed to install the B10.5 2\*60W bulbs (not included) in accordance with the fixture's specifications. **(DO NOT EXCEED THE MAXIMUM WATTAGE RATING). (NE PAS DEPASSER LA PUISSANCE NOMINALE MAXIMALE!).**
10. Replace the bottom assembly (C) and secure with the metal leaf (Q), tube (R), lock washer (B) and Finial (A).

Your installation is now complete. Return power to the junction box and test the fixture.

**Note: Illustration (Fig. 1) on this manual is for installation purposes only. It may or may not be identical to the fixture purchased.**

Fig. 1

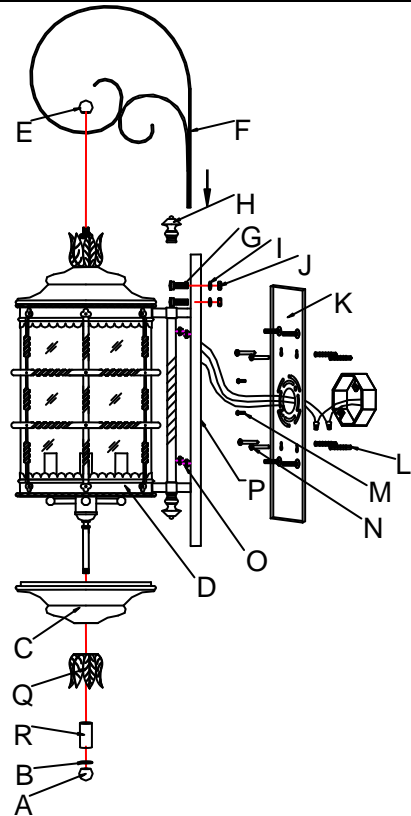


Fig. 2

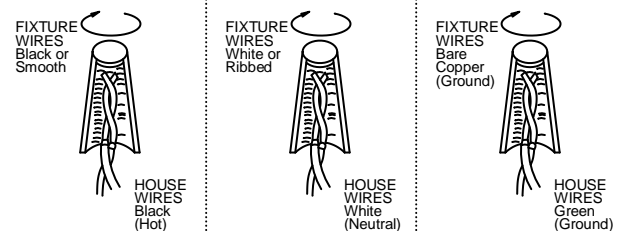
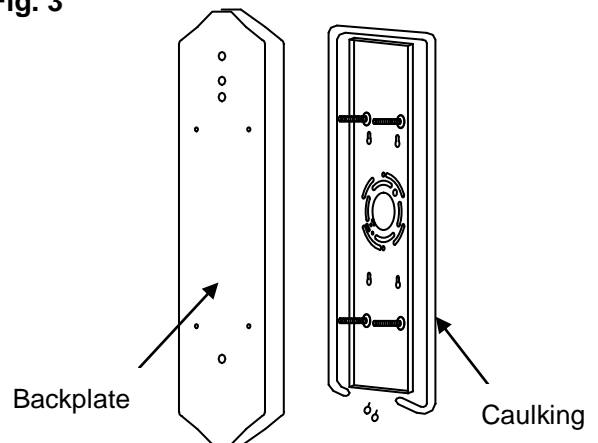


Fig. 3



“U.S. Patents; D461,593;D465,604

This product is protected by United States Federal and/or State Law, including Patent and/or Copyright laws.”

© Minka Lighting Inc.

LA-2000E



american lighting association