

INSTALLATION INSTRUCTIONS

For Model 73001

READ AND SAVE THESE INSTRUCTIONS

WARNING! SHUT POWER OFF AT FUSE OR CIRCUIT BREAKER.

AVERTISSEMENT! COUPER LE COURANT AU NIVEAU DES FUSIBLES OU DU DISJONCTEUR.

HANGING THE FIXTURE (Fig. 1)

1. Shut off the power at the circuit breaker and remove the old fixture, including the mounting hardware.
2. Carefully unpack your new fixture and lay out all the parts on a clear area. Take care not to lose any small parts necessary for installation.
3. Thread the 2 mounting screws (E) into the mounting plate (C) spaced the same distance apart as the holes in the fixture back plate. (You can adjust the length of the screws if necessary.)
4. Attach the mounting plate (C) to the outlet box (A) (not supplied) with mounting screws (B). (Size: #8-32*0.78"L).

CONNECTING THE WIRES (Fig. 2)

5. Connect the electrical wires as shown in Fig.2. Making sure that all wire connectors are secured. If your outlet box has a ground wire (green or bare copper), connect the fixture's ground wire to it. Otherwise, connect the fixture's ground wire directly to the circular strap using the green screw provided.

COMPLETING THE INSTALLATION (Fig.1)

6. Open the fixture door by lifting lock handle (G). Align the fixture back plate followed by reflector plate (H) to mounting screws (E) and secure with cap nuts (F).
7. To prevent moisture from entering the outlet box and causing a short, use clear caulking (i.e. Indoor/Outdoor Silicone Sealant) to outline the outside of fixture back plate where it meets the wall leaving a space at bottom to allow moisture a means to escape. (Fig. 3)
8. Install the bulb (not supplied) in accordance with the fixture's specification.

DO NOT EXCEED THE MAXIMUM WATTAGE RATING! (NE PAS DEPASSER LA PUISSANCE NOMINALE MAXIMALE!)

Your installation is now complete. Return power to the junction box and test the fixture.

Fig. 1

Set A# : A020-1

- Mounting plate
- Ground screw
- Mounting screws(2)

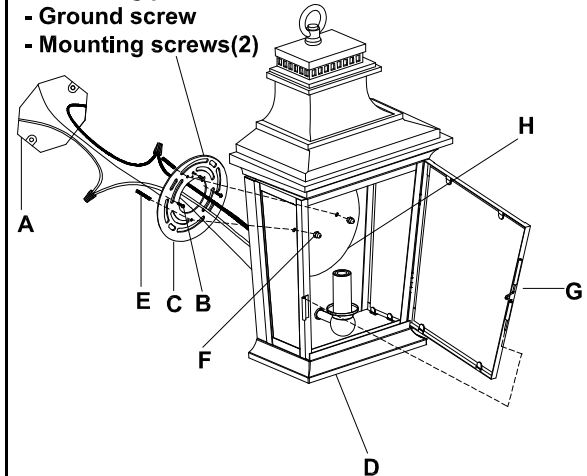


Fig. 2

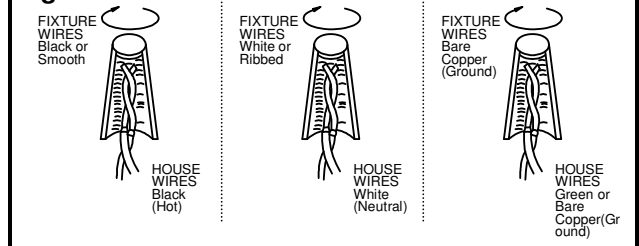


Fig. 3

