

INSTALLATION INSTRUCTIONS

For Model 72171-189

READ AND SAVE THESE INSTRUCTIONS

WARNING! SHUT POWER OFF AT FUSE OR CIRCUIT BREAKER.

AVERTISSEMENT! COUPER LE COURANT AU NIVEAU DES FUSIBLES OU DU DISJONCTEUR.

MOUNTING THE FIXTURE (Fig.1)

1. Shut off power at the circuit breaker and remove the old fixture, including the mounting hardware.
2. Carefully unpack your new fixture and lay out all the parts on a clear area. Take care not to lose any parts necessary for installation.
3. Thread the two studs (S) into the pre-drilled holes in the mounting plate (M) spaced the same distance apart as the holes in the back plate (J). Note: The length of studs (S) into mounting plate (M) may be adjusted if necessary.
4. Attach the mounting plate (M) (Part#A-020) to the outlet box (not included) with screws (C) (Size: 8-32*1/4").
5. Align the curved end of scroll arm (K) through the decorative ring (N) and secure the other end to the back plate (J) with screw (Q) (Size: M4*10) and hex nut (F).

CONNECTING ELECTRICAL (Fig.2)

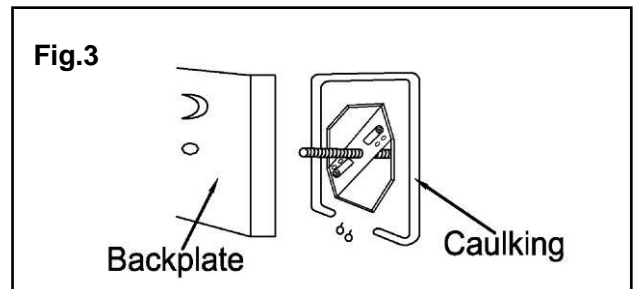
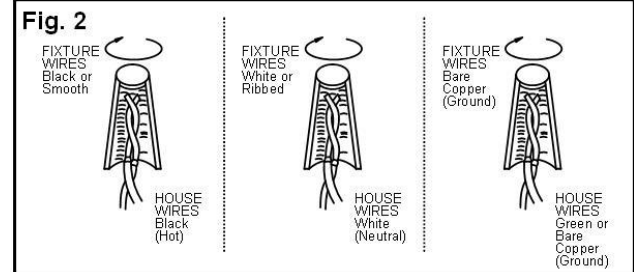
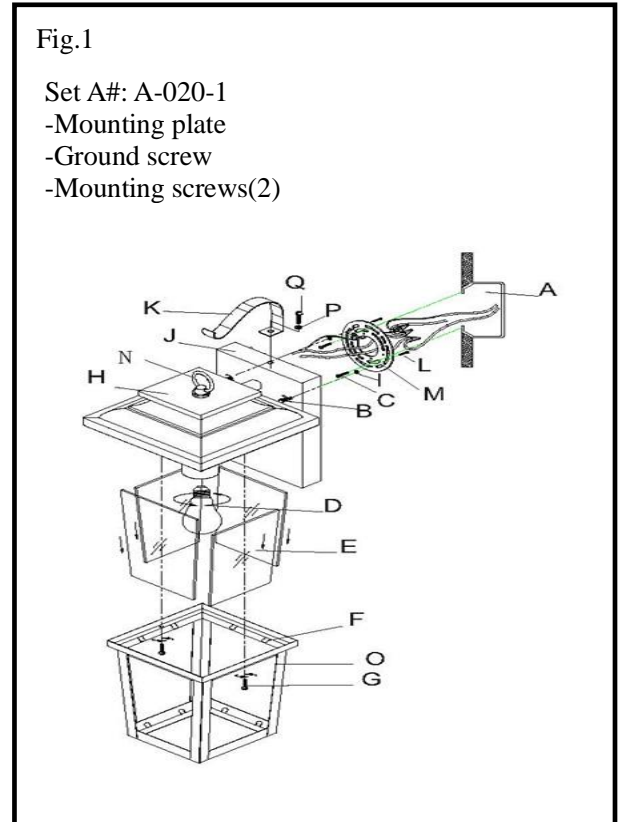
6. Connect the electrical wires as shown in (Fig.2), making sure that all wire connectors are secured. If your outlet has a ground wire (green or bare copper), connect the fixture ground wire to it. Otherwise, connect the fixture ground wire directly to the mounting plate using the green screw provided.
7. Align the fixture to the mounting studs (S) (Size: 8-32*1/2") and secure with knurled knobs and washers (B) (Fig1).
8. To prevent moisture from entering the outlet box and causing a short, use clear caulking (i.e. Indoor/Outdoor Silicone Sealant) to outline the outside of fixture back-plate where it meets the wall leaving a space at bottom to allow moisture a means to escape (Fig3).

COMPLETING THE INSTALLATION

9. Separate lamp body (O) from top cover (H) by unscrewing the mounting screws (G) (Size: M4*16). Align the glass (E) into body (G) and secure with glass clips (F).
10. Install the 1*60W light bulb (D) in accordance with the fixtures specification. **(DO NOT EXCEED THE MAXIMUM WATTAGE RATING!)(NE PAS DEPASSER LA PUISSANCE NOMINALE MAXIMALE!)**
11. Re-attach body (O) to the top cover (H) with mounting screws (G) (Size: M4*12)

Your installation is now complete. Return power to the junction box and test the fixture.

“CAUTION-RISK OF FIRE CONSULT A QUALIFIED ELECTRICIAN TO ENSURE CORRECT BRANCH CIRCUIT CONDUCTOR”



ATTENTION - RISQUE D'INCENDIE. CONSULTER UN ÉLECTRICIEN QUALIFIÉ POUR VOUS ASSURER QUE LES CONDUCTEURS DE LA DÉRIVATION SONT ADÉQUATS.