

INSTALLATION INSTRUCTIONS

Item#6605/6606-XXX (New. 2023/04/15)

READ AND SAVE THESE INSTRUCTIONS

WARNING! SHUT POWER OFF AT FUSE OR CIRCUIT BREAKER.

AVERTISSEMENT! COUPER LE COURANT AU NIVEAU DES FUSIBLES OU DU DISJONCTEUR.

PREPARATION (Fig. 1)

1. Shut off power at the fuse box or circuit breaker box and remove the old fixture including the mounting hardware.
2. Carefully unpack your new fixture and lay out all the parts in a clean area. Take care not to misplace any small parts necessary for installation.

ASSEMBLING THE FIXTURE (Fig. 1)

3. Determine the desired hanging height and thread rods (F1, F2 and F3) to all thread (H) on the fixture body. Attach canopy (D) by screwing onto rod (F1). Carefully pass the wires through each rod during assembly. Note: Remove all thread, if installing with one 6" rod only.
4. Thread screws (A) into the pre-drilled holes in crossbar (B) spaced the same distance apart as the holes in canopy (D).
5. Attach crossbar (B) to junction box (not included) using mounting screws (C) (Size: #8-32N*L0.5"). The side of crossbar (B) marked "GND" must face out.

CONNECTING THE WIRES (Fig. 2)

6. Connect the electrical wires as shown in figure 2, making sure that all wire connectors are secured. If your junction box has a ground wire (green or bare copper), connect the fixture's ground wire to it. Otherwise, connect the fixture's ground wire directly to crossbar (B) using the green screw provided.
7. Tuck wire connectors neatly into junction box.

COMPLETING THE INSTALLATION (Fig. 1)

8. Place canopy (D) over screws (A) and secure with knobs (G) and rubber washers (E) provided.
9. Install (1) one medium base bulb (K) up to 100 watts each or CFL or LED equivalent (not included) in accordance with the fixture specification — **DO NOT EXCEED THE MAXIMUM WATTAGE RATING! (NE PAS DEPASSER LA PUISSANCE NOMINALE MAXIMALE!).**
10. Secure glass shade (L) onto fixture body (I) with decorative knobs (J) (Do not over tighten).

The fixture is over 10 lbs. Please remove glass shade (L) firstly before removing canopy from mounting plate to inspect wire connections in the future. This will allow you to hold the fixture body during wire connection inspection or fixture removal.

Your installation is now complete. Return power to the junction box and test the fixture.

Note: Illustration (Fig. 1) on this manual is for installation purposes only. It may or may not be identical to the fixture purchased.

Fig. 1

Set# A-010

- Crossbar
- Ground screw
- Mounting screw*2

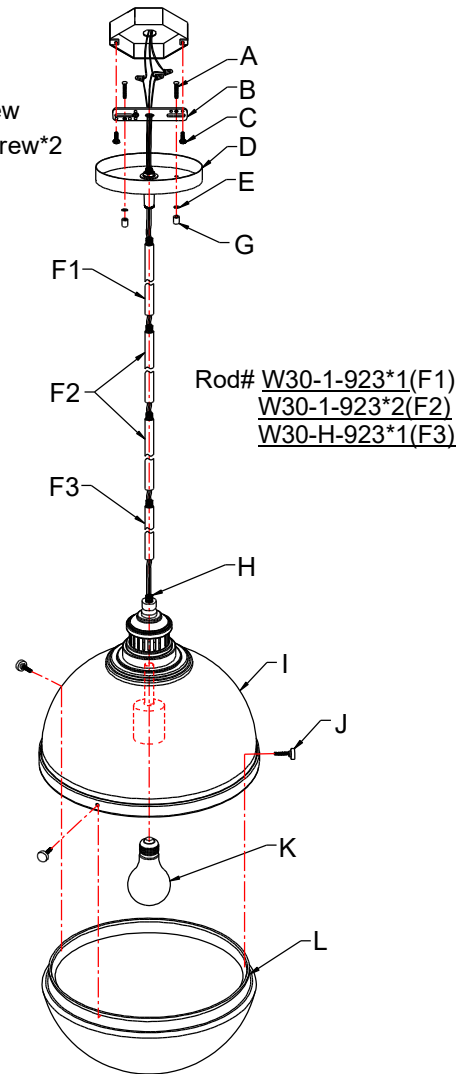


Fig. 2

