

# INSTALLATION INSTRUCTIONS

For Wall Mount Fixture 564-1

**WARNING! SHUT POWER OFF AT FUSE OR CIRCUIT BREAKER .**

## HANGING THE FIXTURE

1. Shut off power at the fuse box or circuit breaker box. Remove old fixture including mounting hardware.
2. Carefully unpack your new fixture and lay out all the parts on a clear area. Take care not to misplace any small parts necessary for installation.
3. Attach the crossbar (A) to the Outlet Box using the two Screws (B) from the outlet box. The side of the Crossbar marked "GND" must face out. (Fig.1)
4. Thread the Nipple (C) part way into the center hole of the Crossbar (A). (Fig.1)
5. At this point, connect the electrical wires as shown in (Figure.2). Making sure all wire connections are secure. If your outlet has a ground wire (green or bare copper), connect the Ground Wire (D) from the fixture to this wire. If not, connect the fixture Ground Wire (D) directly to the Crossbar (A) with the Green Screw provided. After wires are connected, tuck them carefully inside the outlet box.
6. To prevent moisture from entering the outlet box and causing a short, use clear caulking (ie. Indoor/Outdoor Silicone Sealant) to outline the outside of fixture Backplate where it meets the wall leaving a space at bottom to allow moisture a means to escape. (Fig.3)
7. Finish mounting the fixture by aligning it over the Nipple (C) so it goes through the hole in the backplate of the fixture (E). Tighten with Plastic gasket (H), Metal gasket (G) and knurled Cap Nut (F) onto the Nipple (C) to lock the Fixture against the wall. (Fig.1)
8. Install the proper light bulbs according to the fixture specification. **NOTE:DO NOT EXCEED THE SPECIFIED WATTAGE!**

Your installation is now complete. Return power to the junction box and test the fixture.

CAUTION -RISK OF FIRE. CONSULT A QUALIFIED ELECTRICIAN TO ENSURE CORRECT BRANCH CIRCUIT CONDUCTOR.

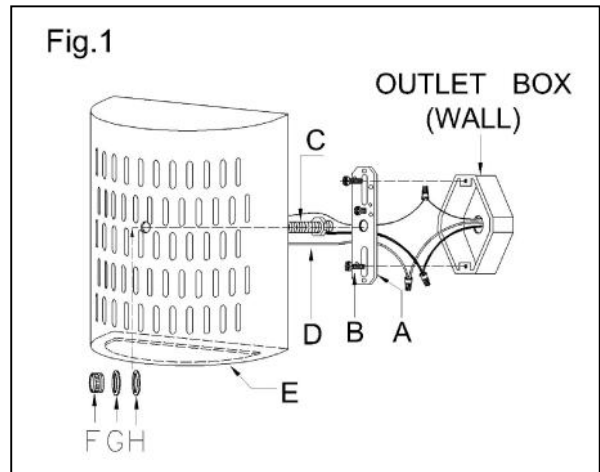
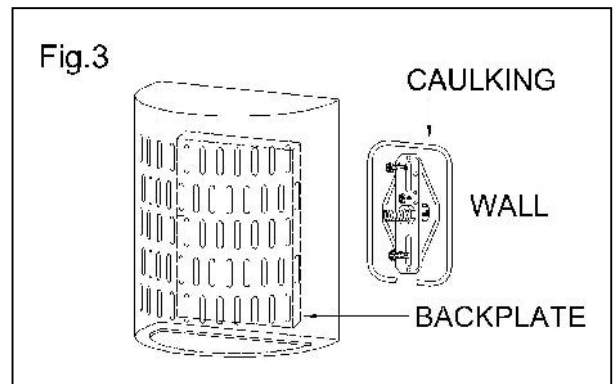
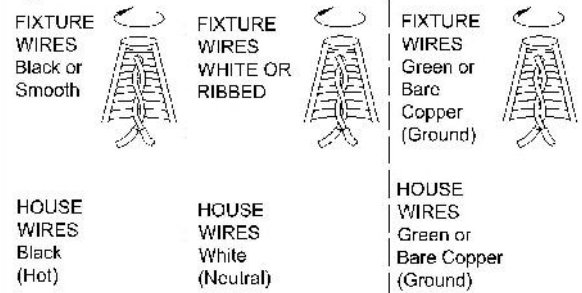


Fig .2



MIN 90 SUPPLY CONDUCTORS

