

INSTALLATION INSTRUCTIONS

Item#5399-66A (New. 2023/12/08)

READ AND SAVE THESE INSTRUCTIONS

WARNING! SHUT POWER OFF AT FUSE OR CIRCUIT BREAKER.

AVERTISSEMENT! COUPER LE COURANT AU NIVEAU DES FUSIBLES OU DU DISJONCTEUR.

MOUNTING THE FIXTURE (Fig.1)

1. Shut off the power at the circuit breaker and remove the old fixture, including the mounting hardware.
2. Carefully unpack your new fixture and lay out all the parts on a clean area. Take care not to lose any small parts necessary for installation.
3. Adjust arms to proper position.
4. Determine the desired hanging height and thread rods (I & H) to all thread on fixture (J). Carefully feed wires through each rod as you assemble. Note: Remove all thread, if installing with one 6" rod only.
5. Attach fixture canopy (E) by threading onto rod (H).
6. Thread canopy screws (B) into pre-drilled holes in mounting plate (A). Spaced same distance apart as holes in canopy (E), and secure with nuts (D) provided. The length of canopy screws (B) may be adjusted if necessary.
7. Attached mounting plate (A) to outlet box (Not included) using mounting screws (C) (Size: #8-32N*L1"). The side of mounting plate (A) marked with "GND" must face out.
8. The support cable (F) is provided to support weight of fixture while wiring. Align fixture to mounting plate (A) and attach hook on the end of support cable (F) into a slot located on mounting plate (A). Carefully allow support cable (F) to support weight of fixture while wiring (Fig.1).

CONNECTING THE WIRES (Fig. 2)

9. Connect the electrical wires as shown in Fig.2, making sure that all wire connectors are secured. If your outlet box has a ground wire (green or bare copper), connect fixture's ground wire to it. Otherwise, connect fixture's ground wire directly to mounting plate (A) using ground screw provided.
10. Tuck the wire connectors neatly into the outlet box.

FINISHING THE INSTALLATION (Fig.1)

11. Raise canopy (E) over canopy screws (B) and secure with cap nuts (G).
12. Attach shade (K) onto socket of fixture (J), securing with socket ring (L).
13. Install (6) six medium base bulbs up to 60 watts or CFL or LED equivalent (not included) in accordance with the fixture specification. — **DO NOT EXCEED THE MAXIMUM WATTAGE RATING! (NE PAS DEPASSER LA PUISSANCE NOMINALE MAXIMALE!**

Your installation is now complete. Return power and test the fixture.

Note: Illustration (Fig.1) on this manual is for installation purposes only. It may or may not be identical to the fixture purchased.

Fig. 1

Set# A-020-
-Mounting Screw *2
-Ground Screw
-Mounting Plate

6" Rod#
12" Rod#

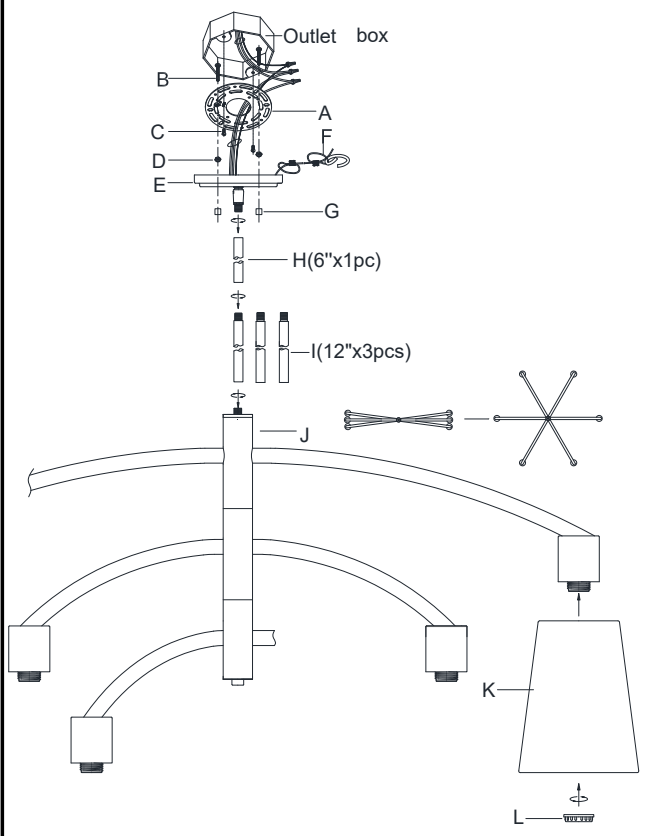
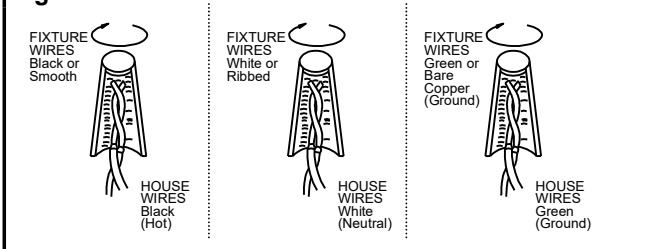


Fig. 2



Replace swivel to be loop system (Fig.3)

1. Un thread nut (E4), then remove lock washer (E3), support cable (F), flat plate (E2), swivel (E1) and rod (H) from canopy (E).
2. Attach one loop (M) to the other loop (M) by using quick link (N).
3. Place loops (M) over canopy (E), then place flat plate (E2), support cable (F) and lock washer (E3) onto protruding all thread at top of loop (M), securing with hex nut (E4).
4. Install loops (M) onto top of rod (H).

