

INSTALLATION INSTRUCTIONS

Item#5262-66A (New. 2023/12/7)

READ AND SAVE THESE INSTRUCTIONS

WARNING! SHUT POWER OFF AT FUSE OR CIRCUIT BREAKER.

AVERTISSEMENT! COUPER LE COURANT AU NIVEAU DES FUSIBLES OU DU DISJONCTEUR.

MOUNTING THE FIXTURE (Fig.1)

1. Shut off power at the fuse box or circuit breaker box and remove the old fixture including the mounting hardware.
2. Carefully unpack your new fixture and lay out all the parts in a clear area. Take care not to misplace any small parts necessary for installation.
3. Position mounting plate (A) on wall and mark location of the two mounting holes. Pre-drill holes for plastic anchors (G). Insert plastic anchors (G) into wall.
4. Attach mounting plate (A) using mounting screws (B) (Size: #8-32N*L1") to outlet box (Not included). The side of the mounting plate marked "GND" must face out. Secure mounting plate (A) by inserting wood screws (F) through holes on mounting plate into the plastic anchors (G).

CONNECTING THE WIRES (Fig. 2)

5. Connect electrical wires as shown in Fig. 2, making sure that all wire connectors are secured. If your outlet box has a ground wire (green or bare copper), connect fixture's ground wire to it. Otherwise, connect fixture's ground wire directly to mounting plate using green screw provided.
6. Tuck wire connections neatly into the outlet box.

FINISHING THE INSTALLATION (Fig.1)

7. Place fixture body (D) over mounting plate (A), and secure with screws (C).
8. Install (2) two candelabra base bulbs up to 60 watts each or CFL or LED equivalent (not included) in accordance with the fixture specification—**DO NOT EXCEED THE MAXIMUM WATTAGE RATING! (NE PAS DEPASSER LA PUISSANCE NOMINALE MAXIMALE!)**
9. Carefully insert glass panel (E) into frame of fixture body (D), then secure them by pressing the clips on frame.

Your installation is now complete. Return power to the outlet box and test the fixture.

The fixture is over 10 lbs. Please remove all glasses before removing canopy from mounting plate to inspect wire connections in the future. This will allow you to hold the fixture body during wire connection inspection or fixture removal.

Fig. 1

Set#
-Back Plate
-Ground Screw
-Mounting Screw *2

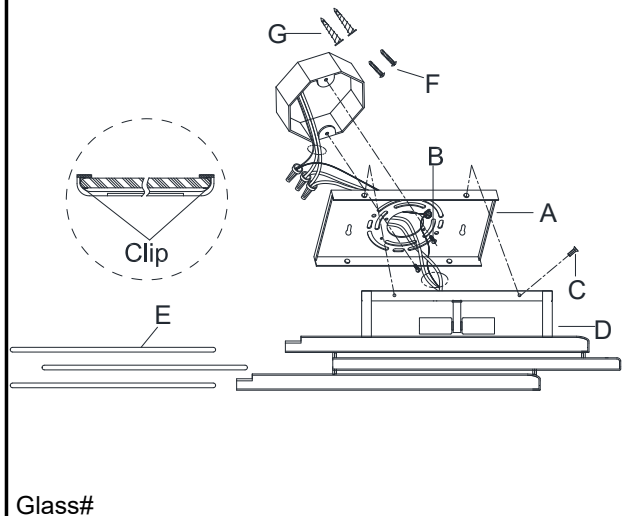
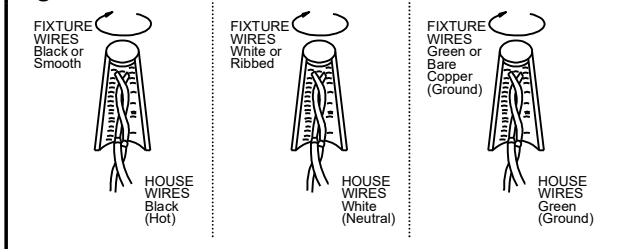


Fig. 2



Note: Illustration (Fig.1) on this manual is for installation purposes only. It may or may not be identical to the fixture purchased.

