

# INSTALLATION INSTRUCTIONS

Item#5197-697(Convertible Lamps for Pendant) (New. 2023/06/10)

**READ AND SAVE THESE INSTRUCTIONS**

**WARNING! SHUT POWER OFF AT FUSE OR CIRCUIT BREAKER.**

**AVERTISSEMENT! COUPER LE COURANT AU NIVEAU DES FUSIBLES OU DU DISJONCTEUR.**

## PREPARATION (Fig. 1)

1. Shut off power at the fuse box or circuit breaker box and remove the old fixture including the mounting hardware.
2. Carefully unpack your new fixture and lay out all the parts in a clean area. Take care not to misplace any small parts necessary for installation.
3. Secure glass ball assembly (J) onto all thread (G) on top of fixture body.
4. Determine the desired hanging height and thread rods (F1, F2 and F3) to all thread (K). Screw canopy (C) onto rod (F1). Carefully pass the wires through each rod during assembly.
5. Position mounting plate (A) on ceiling and mark location of the three drywall anchors (E). Pre-drill holes for drywall anchors (E). Then insert drywall anchors (E) into ceiling.
6. Attach mounting plate (A) to junction box (not included) with mounting screws (B) (Size: #8-32N\*L0.5") and wood screws (H) into drywall anchors (E). The side of mounting plate (A) marked "GND" must face out.
7. The support cable is provided to support weight of the fixture while wiring. Align fixture to mounting plate (A) and attach hook (Q) on the end of support cable (R) to a slot located on mounting plate (A). Carefully allow support cable (R) to support weight of fixture while wiring.

## CONNECTING THE WIRES (Fig. 4)

8. Connect the electrical wires as shown in figure 4, making sure that all wire connectors are secured. If your junction box has a ground wire (green or bare copper), connect the fixture's ground wire to it. Otherwise, connect the fixture's ground wire directly to mounting plate (A) using the green screw provided.
9. Tuck wire connectors neatly into the junction box.

## COMPLETING THE INSTALLATION (Fig. 1& Fig. 2)

10. Place canopy (C) over mounting plate (A) and secure with screws (D).
11. Install (8) eight candelabra base bulbs (M) up to 60 watts each or CFL or LED equivalent (not included) in accordance with the fixture specification. — **DO NOT EXCEED THE MAXIMUM WATTAGE RATING! (NE PAS DEPASSER LA PUISSANCE NOMINALE MAXIMALE!)**
12. Hang decorative glass balls (Z)(X) to first ring (L1). Hang decorative glass balls (Y) to second ring (L2). Hang decorative glass balls (O) to third ring (L3). Hang decorative glass ball (N) to the bottom of housing, as shown (Fig.2).

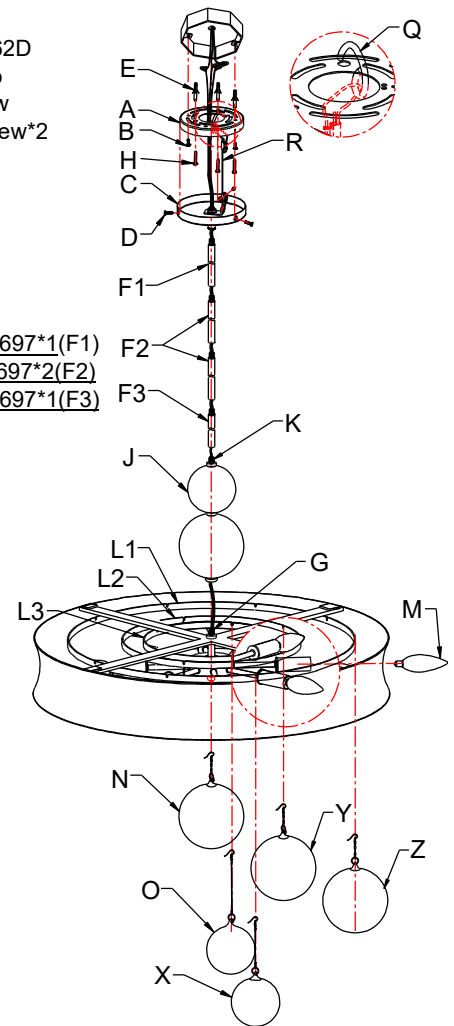
Your installation is now complete. Return power to the junction box and test the fixture.

**Note: Illustration (Fig. 1& Fig. 2) on this manual is for installation purposes only. It may or may not be identical to the fixture purchased.**

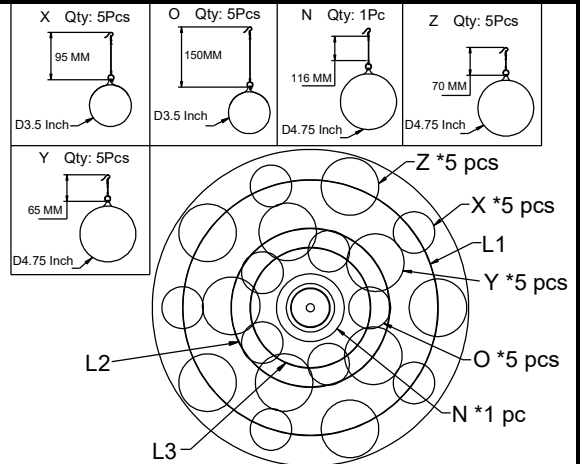
**Fig. 1**

Set# A-021-162D  
 -Circular Strap  
 -Ground Screw  
 -Mounting Screw\*2

Rod# W30-1-697\*1(F1)  
W30-1-697\*2(F2)  
W30-H-697\*1(F3)



**Fig. 2**



# INSTALLATION INSTRUCTIONS

Item#5197-697 (Convertible Lamps for Semi Flush Mount) (New. 2023/06/10)

## READ AND SAVE THESE INSTRUCTIONS

**WARNING! SHUT POWER OFF AT FUSE OR CIRCUIT BREAKER.**

**AVERTISSEMENT! COUPER LE COURANT AU NIVEAU DES FUSIBLES OU DU DISJONCTEUR.**

### PREPARATION (Fig. 3 & Fig.5)

1. Loosen hex nut (S) by using wrench (W) (not included). Carefully remove washer (T), lock washer (U), L-shaped metal plate (V), canopy (C), and swivel (P) (Fig.5).
2. Secure glass ball assembly (J) onto all thread (G) on top of fixture body.
3. Thread canopy (C), L-shaped metal plate (V), lock washer (U), washer (T) and hex nut (S) into the all thread (K). Then secure hex nut (S) by using wrench (W) (not included). (Fig. 3). Cut wire leaving 7" for installation.
4. Position mounting plate (A) on ceiling and mark location of the three drywall anchors (E). Pre-drill holes for drywall anchors (E). Then insert drywall anchors (E) into ceiling.
5. Attach mounting plate (A) to junction box (not included) with mounting screws (B) (Size: #8-32N\*L0.5") and wood screws (H) into drywall anchors (E). The side of mounting plate (A) marked "GND" must face out.
6. The support cable is provided to support weight of the fixture while wiring. Align fixture to mounting plate (A) and attach hook (Q) on the end of support cable (R) to a slot located on mounting plate (A). Carefully allow support cable (R) to support weight of fixture while wiring.

### CONNECTING THE WIRES (Fig. 4)

7. Connect the electrical wires as shown in figure 4, making sure that all wire connectors are secured. If your junction box has a ground wire (green or bare copper), connect the fixture's ground wire to it. Otherwise, connect the fixture's ground wire directly to mounting plate (A) using the green screw provided.
8. Tuck wire connectors neatly into the junction box.

### COMPLETING THE INSTALLATION (Fig. 3 & Fig. 2)

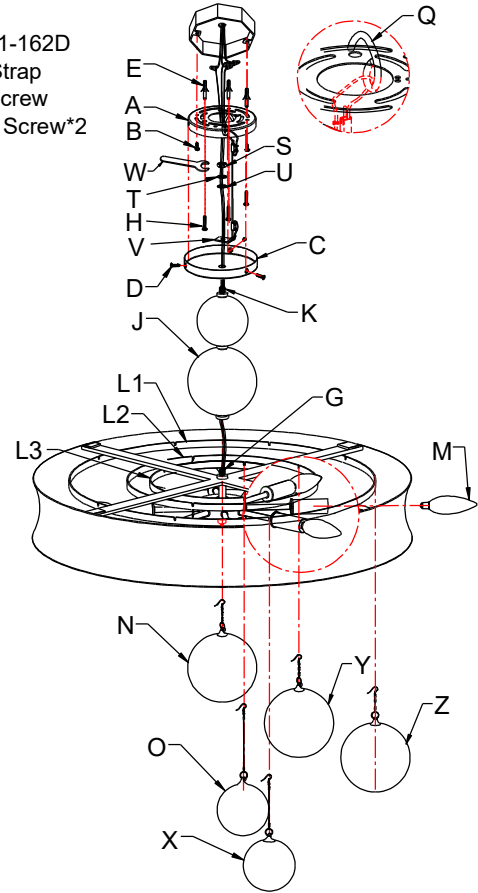
9. Place canopy (C) over mounting plate (A) and secure with screws (D).
10. Install (8) eight candelabra base bulbs (M) up to 60 watts each or CFL or LED equivalent (not included) in accordance with the fixture specification. **—DO NOT EXCEED THE MAXIMUM WATTAGE RATING! (NE PAS DEPASSER LA PUISSANCE NOMINALE MAXIMALE!)**
11. Hang decorative glass balls (Z)(X) to first ring (L1). Hang decorative glass balls (Y) to second ring (L2). Hang decorative glass balls (O) to third ring (L3). Hang decorative glass ball (N) to the bottom of housing, as shown (Fig.2).

Your installation is now complete. Return power to the junction box and test the fixture.

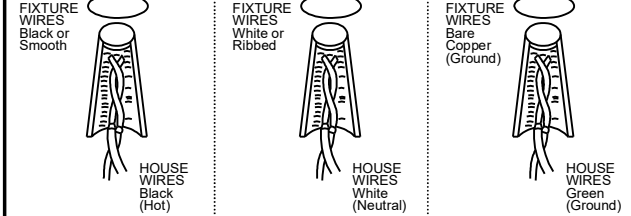
**Note: Illustration (Fig.3) on this manual is for installation purposes only. It may or may not be identical to the fixture purchased.**

**Fig. 3**

Set# A-021-162D  
 -Circular Strap  
 -Ground Screw  
 -Mounting Screw\*2



**Fig. 4**



**Fig. 5**

