

INSTALLATION INSTRUCTIONS

Item#4872-283 (05/ 11/ 2014)

READ AND SAVE THESE INSTRUCTIONS

WARNING! SHUT POWER OFF AT FUSE OR CIRCUIT BREAKER.
AVERTISSEMENT! COUPER LE COURANT AU NIVEAU DES FUSIBLES OU DU DISJONCTEUR.

ASSEMBLING THE FIXTURE (Fig.1)

1. Shut off the power at the fuse box or circuit breaker. If necessary, remove the existing fixture and its mounting hardware from the wall.
2. Remove the new fixture from the carton and check that all parts are included as shown in the illustration.
3. Remove the screw (I), and remove the outer frame (M).
4. Insert the front glass (N) and side glass (P) into the outer frame (M) then secure the glass with clips (O).
5. Insert the front white glass (H) and side white glass (G) into the inner frame (J) then secure the glass with clips (K).
6. Place the inner frame (J) into the outer frame (M), then secure it with screws (I).

MOUNTING THE FIXTURE (Fig.2)

7. Position mounting plate (A) on the wall, and mark the location of the two plastic anchors (D). Pre-drill the holes for the plastic anchors (D). Then insert the plastic anchors (D) into the wall.
8. Attach the mounting plate (A) to the outlet box using mounting screws (B) (Size: #8-32N*L0.5"). The side of the mounting plate marked "GND" must face out.
9. Place the wood screws (C) through the holes of the mounting plate (A) and into the plastic anchors (D) to secure the mounting plate (A) to the wall.

CONNECTING THE WIRES (Fig. 3)

10. At this point, connect the fixture wires as shown in Fig. 3, making sure that all wire connectors are secured. If your outlet box has a ground wire (green or bare copper), connect the fixture's ground wire to it. Otherwise, connect the fixture's ground wire directly to the mounting plate (A) using the green screw provided. After the wires are connected, tuck them carefully inside the outlet box.

FINISHING THE INSTALLATION (Fig. 2)

11. Place the back plate (Q) and fixture body (E) over the mounting plate (A), and secure with the long screws (F).
12. Install the light bulbs (not included) in accordance with the fixture's specifications. **(DO NOT EXCEED THE MAXIMUM WATTAGE RATING!). (NE PAS DEPASSER LA PUISSANCE NOMINALE MAXIMALE!)**
13. MIN 75°C SUPPLY CONDUTORS

Your installation is now complete. Return power to the outlet box and test the fixture.

Note: Illustration (Fig.1) (Fig.2) on this manual is for installation purposes only. It may or may not be identical to the fixture purchased.

Fig. 1

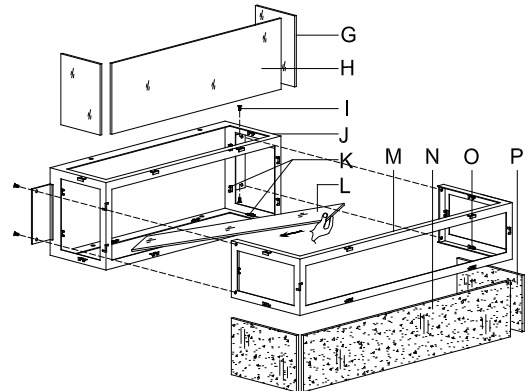
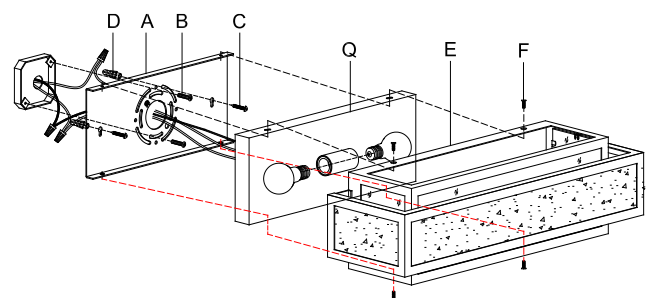


Fig. 2



Set# A-021-310118
- Mounting Plate
- Ground Screw
- Mounting Screw*2

Fig. 3

