

INSTALLATION INSTRUCTIONS

Item# 4556-588

READ AND SAVE THESE INSTRUCTIONS

WARNING! SHUT POWER OFF AT FUSE OR CIRCUIT BREAKER.

AVERTISSEMENT! COUPER LE COURANT AU NIVEAU DES FUSIBLES OU DU DISJONCTEUR.

PREPARATION (Fig. 1)

1. Carefully remove the fixture from the carton and check that all parts are included as shown in the illustration.
2. Shut off the power at the fuse box or circuit breaker. If necessary, remove the old fixture including the mounting hardware.

ASSEMBLING THE FIXTURE WITH CHAIN LOOP (Fig. 2)

3. Place the hex nut (K2) and lock washer (P) over the end of nipple (N), thread the end of nipple into the crossbar (M) until snug, thread the hex nut (K2) until tight. Note: the length of the nipple (N) into the crossbar may be adjusted if necessary.
4. Take this crossbar assembly and mount it to ceiling outlet box with mounting screws (C) (Size: #8-32N*L0.5"). Tighten mounting screws securely with screwdriver (not included). The side of crossbar marked "GND" must face out.
5. By measuring, determine the desired hanging height and thread rods (F1, F2 and F3) to the nipple (B) of the fixture body (E). Then attach to fixture loop (H1) by screwing in rod (F1). Note: remove the nipple if installing with one 6" rod only.
6. Attach the quick link (G) connect to fixture loop (H1) and ceiling loop (H2) on the canopy (D), carefully feed the wire over fixture loop (H1), quick link (G) and ceiling loop (H2), and pull tight.

CONNECTING THE WIRES (Fig. 3)

7. At this point, connect the electrical wires as shown in figure 3, making sure that all wire connectors are secured. If your outlet has a ground wire (green or bare copper), connect the fixture's ground wire to it. Otherwise, connect the fixture's ground wire directly to the crossbar using the green screw provided.
8. Tuck the wire connections neatly into the ceiling Outlet Box and then raise the canopy all the way to the ceiling. Place the hex nut (K1) over the other end of nipple (N), raise the fixture, align the nipple (N) into the canopy (D) and secure with finial (L).

COMPLETING THE INSTALLATION (Fig. 1)

9. Place the glass shade (A) over socket cup (Q). Using screws (I) secure glass shades to socket cap above socket cup (Q).
10. Install the light bulb(s) (J) (supplied) in accordance with the fixture's specifications. **(DO NOT EXCEED THE MAXIMUM WATTAGE RATING!) (NE PAS DEPASSER LA PUISSANCE NOMINALE MAXIMALE!).**

Your installation is now complete. Return power to the junction box and test the fixture.

Note: Illustration (Fig. 1) on this manual is for installation purposes only. It may or may not be identical to the fixture purchased.

Fig. 1

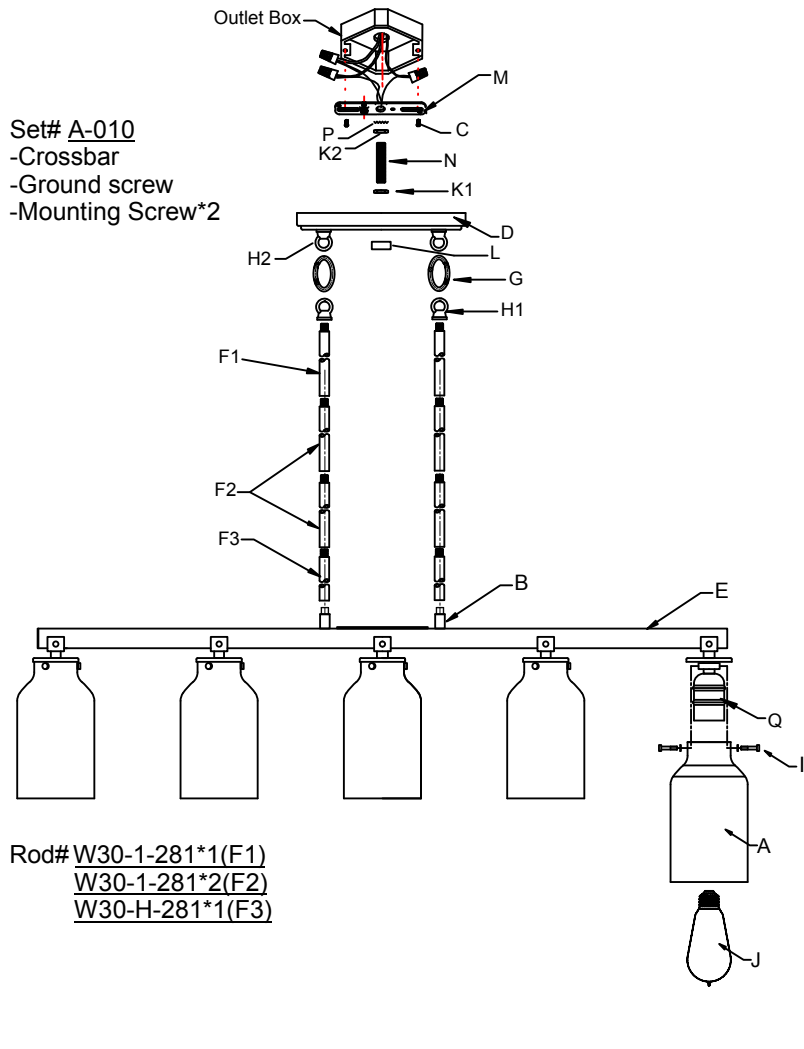
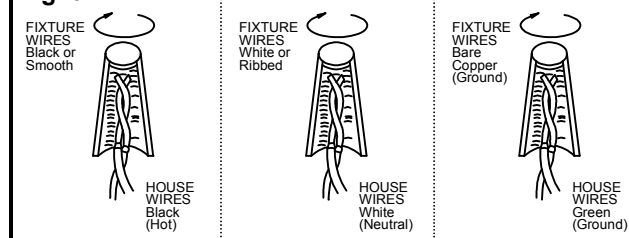
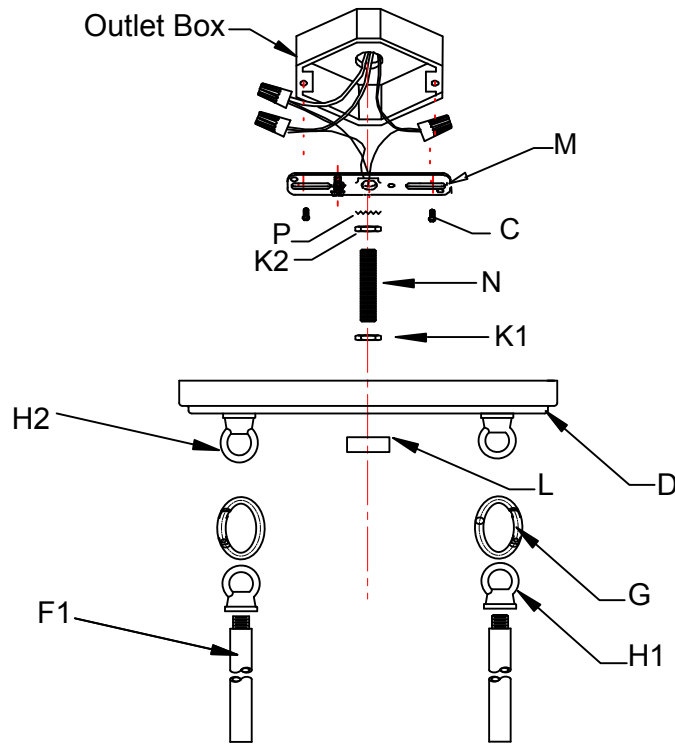


Fig. 3



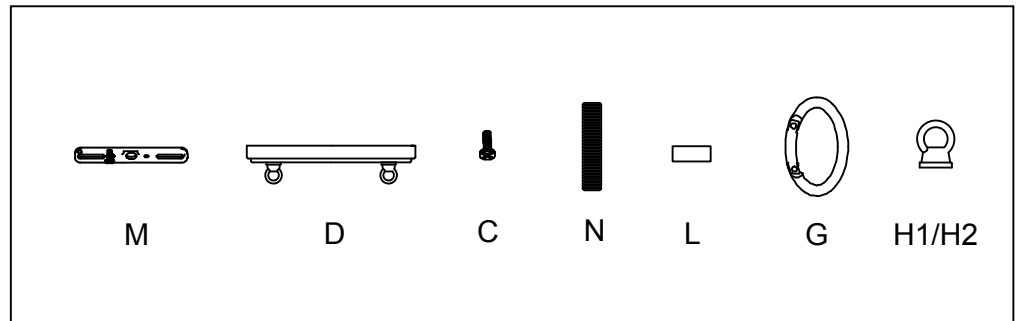
american lighting association

Fig.2



a. Hardware Bag:

- M. Crossbar*1
- D. Canopy*1
- C. Mounting Screw*2
- N. Nipple*1
- L. Finial*1
- G. Quick Link*2
- H1/H2. Loop*4



b. Hardware Bag:

- F1. ROD 12"*1
- F2. ROD 12"*2
- F3. ROD 6"*1

