

INSTALLATION INSTRUCTIONS

Item#3864-695 (New.2020/8/03)

READ AND SAVE THESE INSTRUCTIONS

WARNING! SHUT POWER OFF AT FUSE OR CIRCUIT BREAKER.

AVERTISSEMENT! COUPER LE COURANT AU NIVEAU DES FUSIBLES OU DU DISJONCTEUR.

PREPARATION (Fig. 1)

1. Shut off power at the fuse box or circuit breaker box and remove the old fixture including the mounting hardware.
2. Carefully unpack your new fixture and lay out all the parts in a clean area. Take care not to misplace any small parts necessary for installation.

ASSEMBLING THE FIXTURE WITH CHAIN LOOP (Fig.1&Fig. 3)

3. Thread rod (L) onto the all thread (M) on the fixture body.
4. Thread the center rod (J) into the all thread on the metal tube (L).
5. Determine the desired hanging height and thread rods (F1, F2 and F3) to the all thread of the center rod (J). Then attach loop (H1) by screwing onto rod (F1). Pass the wires carefully through each rod as you assemble.
6. Attach the quick link (G) connect to loop (H1) and loop (H2) on the canopy (D), carefully feed the wire through loop (H1), quick link (G) and loop (H2).
7. Attach the mounting plate (A) to the junction box, not included, with mounting screws (B) (Size: #8-32N*L0.5"). The side of the mounting plate with "GND" marked on it and two convex points must face out.

CONNECTING THE WIRES (Fig. 2)

8. Connect the electrical wires as shown in fig.2, making sure that all wire connectors are secured. If your junction box has a ground wire (green or bare copper), connect the fixture's ground wire to it. Otherwise, connect the fixture's ground wire directly to the mounting plate using the green screw provided.
9. Tuck the wire connectors neatly into the junction box and raise the canopy to the ceiling.

COMPLETING THE INSTALLATION (Fig. 1)

10. Place canopy (D) over the mounting plate (A) and secure it with screws (E).
11. Place the candle cover (S) over socket (R).
12. Installed (4) four candelabra base bulbs (N) up to 60 watts each or CFL or LED equivalent (not included) in accordance with the fixture specification—**DO NOT EXCEED THE MAXIMUM WATTAGE RATING! (NE PAS DEPASSER LA PUISSANCE NOMINALE MAXIMALE!)**
13. Secure shade (O) to center rod (J) with chains (K).

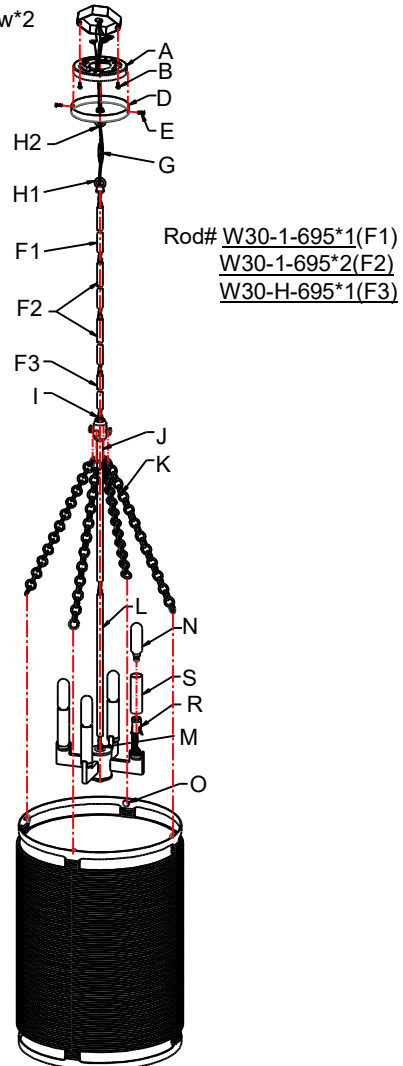
Your installation is now complete. Return power to the junction box and test the fixture.

Note: Illustration (Fig. 1) on this manual is for installation purposes only. It may or may not be identical to the fixture purchased.

Fig. 1

Set#A-021-118DH

- Mounting Plate
- Ground Screw
- Mounting Screw*2



Rod# W30-1-695*1(F1)
W30-1-695*2(F2)
W30-H-695*1(F3)

Candle Cover# CCV24085P-695

Fig. 2

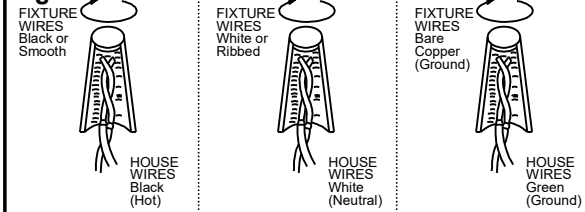
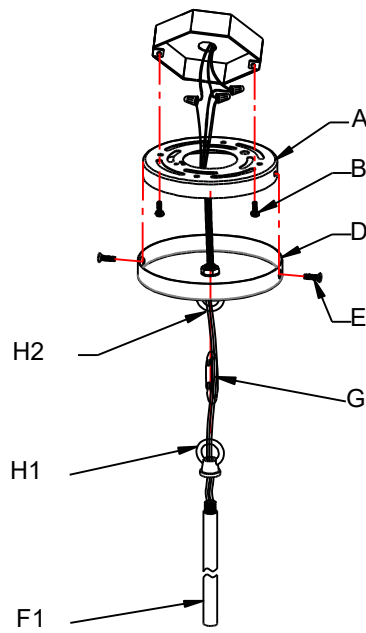
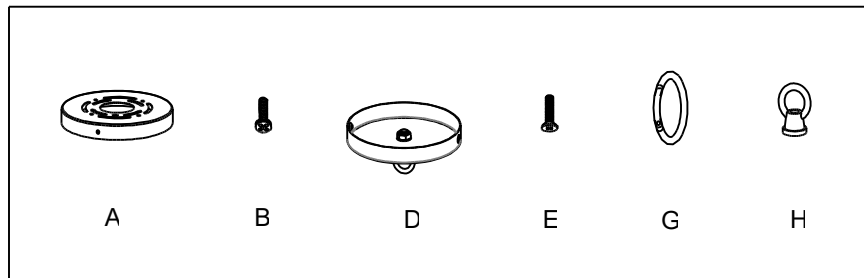


Fig.3



a. Hardware Bag:

- A. Mounting plate*1
- B. Mounting Screw*2
- D. Canopy *1
- E. Screw*2
- G. Quick Link*1
- H. Loop*2



b. Hardware Bag:

- F1. ROD 12"*1
- F2. ROD 12"*2
- F3. ROD 6"*1

