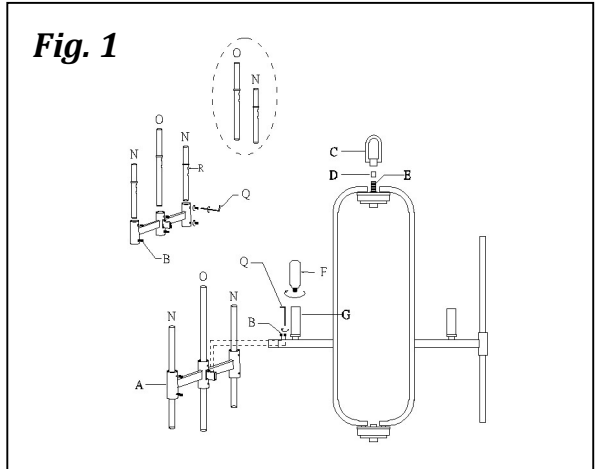


INSTALLATION INSTRUCTIONS FOR FIXTURE #3094/3097-77

WARNING! SHUT POWER OFF AT FUSE OR CIRCUIT BREAKER.
AVERTISSEMENT! COUPER LE COURANT AU NIVEAU DES FUSIBLES OU DU DISJONCTEUR.

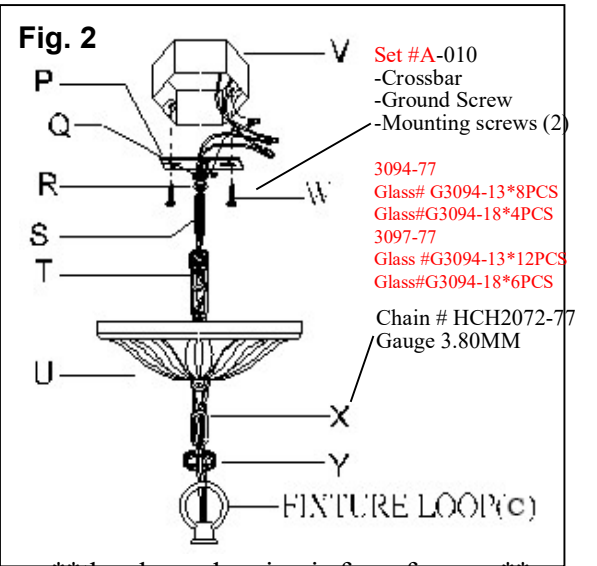
ASSEMBLING THE FIXTURE (FIG. 1)

1. Shut off the power at the fuse box or circuit breaker. If necessary, remove the existing fixture and its mounting hardware from the ceiling.
2. Carefully remove new fixture from carton and check that all parts are included as shown in the illustration.
3. Adjust the arms to desired position.
4. Slide tube (D) through all thread (E) and then secure fixture loop (C) onto all thread (E) tightly.
5. Making sure glass notch (R) and screws (B) are at the same direction and then use tool (Q) (included) to secure crystal rod (O) and (N) into arm (A).
6. Assemble arms (A) onto fixture body and secure with screws (B) using tool (Q) as shown in Fig.1.
7. Install candelabra base bulbs (F) (four bulbs for 3094 and six bulbs for 3097) up to 60 watts each or CFL or LED equivalent (not included) in accordance with the fixture specification. —**DO NOT EXCEED THE MAXIMUM WATTAGE RATING! (NE PAS DEPASSER LA PUISSANCE NOMINALE MAXIMALE!)**



MOUNTING THE FIXTURE (FIG. 2)

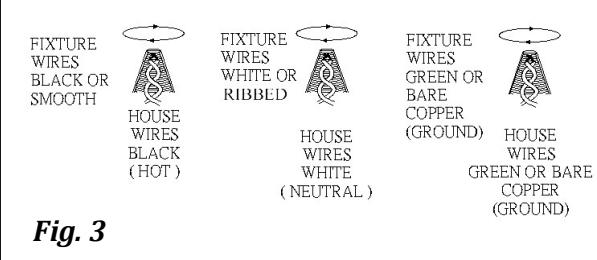
8. Thread one end of all thread (S) into crossbar (P). The length of all thread (S) may be adjusted if necessary. Then place lock washer (Q) and hex nut (R) over the end of all thread (S), and thread hex nut (R) until snug.
9. Thread ceiling loop (T) onto all thread (S) until snug.
10. Take crossbar assembly and mount to the ceiling outlet box (V) (Not included) using outlet box screws (W). The side of crossbar (P) marked "GND" must face out.
11. Use proper chain pliers to open one end link of chain and connect to fixture loop (C). Then close the link.
12. By measuring, determine the correct number of links needed for the desired hanging height. Using chain pliers, disconnect and discard the remaining chain.
13. Slip lock collar (Y) and canopy (U) over chain (X). Allowing them to rest onto fixture loop (C).
14. Open other end link of chain (X) and connect to ceiling loop (T). Then close the link.
15. Carefully lace fixture wires through chain (X).
16. Feed fixture wires through ceiling loop (T) and all thread (S) and pull until tight.



****the above drawing is for reference.****

CONNECTING THE WIRES (FIG. 3)

17. At this point, connect electrical wires as shown in Fig. 3 making sure that all wire connections are secured. If your outlet box has a ground wire (green or bare copper), connect fixture's ground wire to it. Otherwise, connect fixture's ground wire directly to crossbar (P) using green screw provided.
18. After wires are connected, tuck them carefully into ceiling outlet box. Raise canopy (U) to ceiling, then lock collar (Y) and thread onto ceiling loop (T) protruding through canopy (U).



Your installation is now complete. Return power to the outlet box and test the fixture.



Notice: It is important to use proper chain pliers (not included) to OPEN and CLOSE the chain included with this fixture. Do not open them with other tools that may twist or stress the chain links. It is important to use proper chain pliers like the ones shown in the diagram.

Note: Illustration (Fig. 1) & (Fig.2) on this manual is for installation purposes only. It may or may not be identical to the fixture purchased.

