

INSTALLATION INSTRUCTIONS

Item#2126-655 (New. 2022/12/30)

READ AND SAVE THESE INSTRUCTIONS

WARNING! SHUT POWER OFF AT FUSE OR CIRCUIT BREAKER.
VERTISSEMENT! COUPER LE COURANT AU NIVEAU DES FUSIBLES OU DU DISJONCTEUR.

ASSEMBLING THE FIXTURE (Fig. 1)

1. Shut off power at the fuse box or circuit breaker box and remove the old fixture including the mounting hardware.
2. Carefully unpack your new fixture and lay out all the parts in a clean area. Take care not to misplace any small parts necessary for installation.
3. Attach fixture loop (A) by threading it onto all thread (B).
4. Connect housing (C) to the fixture body (H) with bars (D).

HANGING THE FIXTURE (Fig. 2)

5. Thread all thread into ceiling loop until snug.
6. Thread the other end of all thread into crossbar. Note: The length of all thread into crossbar may be adjusted if necessary.
7. Use lock washer and hex nut to secure all thread to crossbar.
8. Take crossbar assembly and mount to outlet box (not included) with mounting screws (Size: #8-32N*L0.5"). The side of crossbar marked with "GND" must face out.
9. Determine the desired hanging height and use a pair of proper chain pliers to remove and discard excess chain.
10. Open one end of chain and attach it to fixture loop, then close chain. Slip lock collar and canopy over chain and allow them to rest on fixture body. Open the other end of chain and attach it to ceiling loop, then close chain.
11. Carefully lace fixture's wires through chain.
12. Feed fixture wires through ceiling loop and crossbar assembly.

CONNECTING THE WIRE (Fig. 3)

13. Connect the electrical wire as shown in Fig.3, making sure that all wire connectors are secured. If your outlet box has a ground wire (green or bare copper), connect the fixture's ground wire to it. Otherwise, connect the fixture ground wire directly to the crossbar using green screw provided.
14. Tuck wire connections neatly into the outlet box.
15. Raise canopy over ceiling loop and secure with loop collar.

FINISHING THE FIXTURE (Fig.1)

16. Place candle covers (F) over sockets (E).
17. Install (6) six candelabra base bulbs (G) up to 60 watts each or CFL or LED equivalent (not included) in accordance with the fixture specification — **DO NOT EXCEED THE MAXIMUM WATTAGE RATING! (NE PAS DEPASSER LA PUISSANCE NOMINALE MAXIMALE!)**.

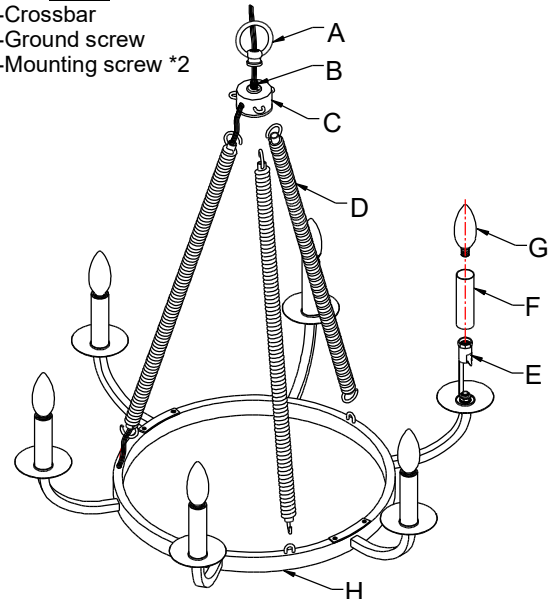
Your installation is now complete. Return power to the outlet box and test the fixture.

Note: Illustration (Fig. 1) on this manual is for installation purposes only. It may or may not be identical to the fixture purchased.

Fig. 1

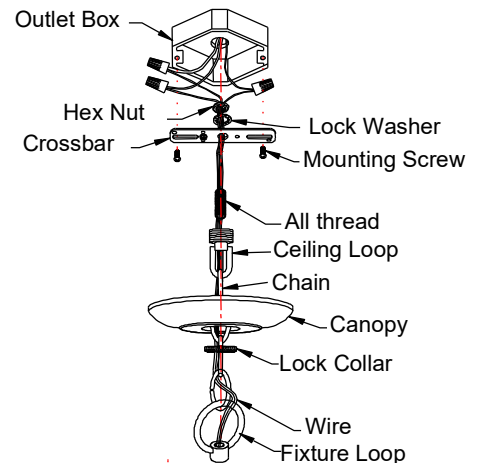
Set# A-010

- Crossbar
- Ground screw
- Mounting screw *2



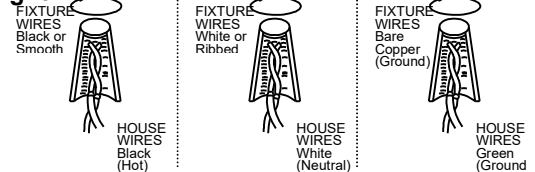
Candle cover# CCV24086P-655

Fig. 2



Chain# HCH2072-655

Fig. 3



Notice: It is important to use proper chain pliers (not included) To OPEN and CLOSE the chain included with this fixture. Do not open them with other tools that may twist or stress the chain links. It is important to use proper chain pliers like the ones shown in the diagram.

