

INSTALLATION & OPERATING INSTRUCTIONS

for model WC210

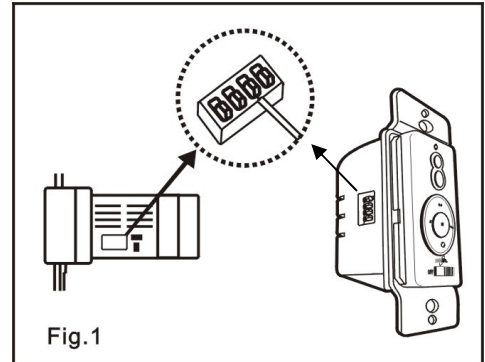
**WARNING! SHUT POWER OFF AT FUSE OR CIRCUIT BREAKER**

NOTE: The WC210 Universal Touch Control™ System is equipped with 16 code combinations to prevent possible interference from or to other remote units. Check the frequency switches against the ones from the wall control or remote control unit included with your fan and make sure the switches on both units are set to the same positions. The frequency settings should only be changed in case of interference or if a second or more remote controlled ceiling fans are installed in the same structure. Any code combination will operate the ceiling fan and light as long as the Receiver and Transmitter units are set to the same frequency codes. (Fig. 1)

**Safety Precautions:**

**WARNING: Disconnect source of electrical power by removing the fuse or switching off circuit breakers.**

- Do not use with solid state fans.
- Electrical wiring must meet all local and national electrical code requirements.
- Electrical source and fan must be 115/120 volts, 60 hz. Maximum fan motor amps 1.0. Maximum light watts 300-incandescent only.

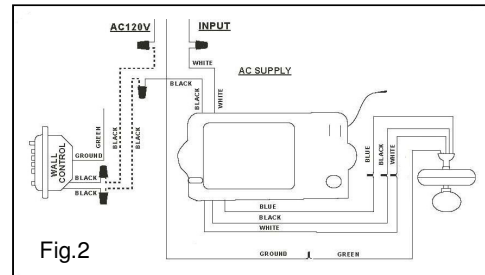


**1. WALL TRANSMITTER INSTALLATION**

**WARNING! HOOK UP "IN SERIES" ONLY. DO NOT CONNECT NEUTRAL SUPPLY WIRE OF ELECTRIC CIRCUIT TO THE TRANSMITTER WALL SWITCH, DAMAGE TO THE TRANSMITTER WALL SWITCH AND POSSIBLE FIRE COULD OCCUR.**

**Step 1.** Remove the existing wall plate and switch from the wall outlet box.

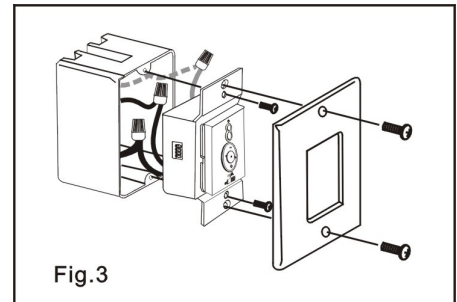
**Step 2.** Make the electrical connections as shown in Fig.2. If your outlet box has a ground wire (Green or Bare Copper) connect the Wall Transmitter's ground wire to it. Otherwise connect the Wall Transmitter's wire directly to one of the screws from the outlet box. Secure all wire connections with the plastic wire nuts provided.



**Step 3.** Carefully tuck the wire connections inside the outlet box. Use the screws provided to secure the wall transmitter and wall plate to the outlet box. (Fig. 3)

**3. OPERATING THE WALL TRANSMITTER**

The WC210 Touch Control™ System includes two sets of face and decorative plate color options. The wall control comes with a standard white faceplate attached. If you desire to replace it with the Ivory color faceplate, use a small flat screw driver and gently pry it apart from the top or bottom of the plate.



**1. Light Button:**

Press and release the button to turn the light ON or OFF. Press and hold the button to set the desired light brightness. The light will cycle between bright and dim settings as long as the button is pressed. The light key has an automatic auto-resume feature that allows the light to remain at the same brightness as the last time it was turned off. The Up-light button applies to ceiling fans that feature an Up-light only.

**2. Speed Buttons**

Press and release the button for the desired speed.

**3. Reverse Button**

Use this button to change the blade rotation

**4. Stop Button**

This button stops the fan

**5. On-OFF**

This button turns the power off for the fan and light.

The installation of your new WC210 Touch Control System is complete.

**NOTICE!**

Your ceiling fan and light kit assembly must meet the following requirements:

1. Do Not install this fan with wall solid state speed control or wall light dimmer control. It will permanently damage the receiver of remote control and cause the fan function failure.

**CAUTION:**

Ceiling Angle shall Not Exceed 30 Degrees, For Mounting controller. Models UC-7067RC

