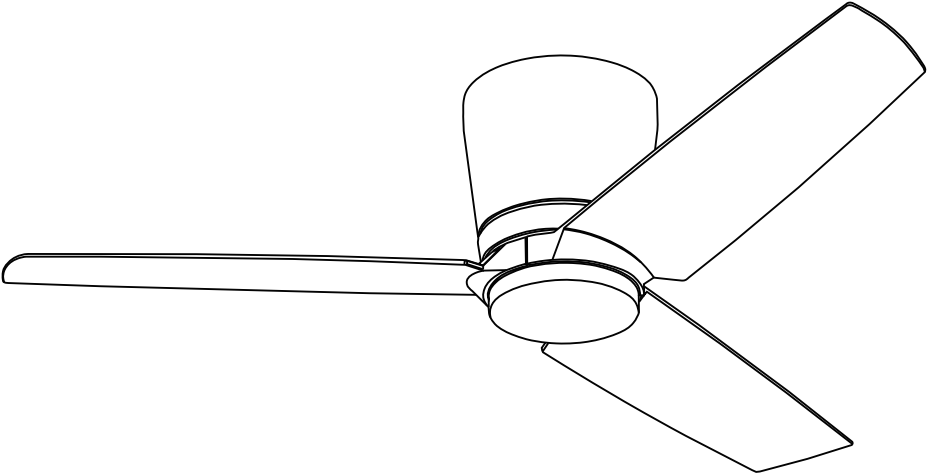


minkaAire[®]
A Minka Group[®] Co.

Model NO. F671L

CONTRACTOR *SERIES*



PURE



**TACTICAL TO
PRACTICAL**

INSTRUCTION MANUAL WARRANTY CERTIFICATE

©2020 Minka Lighting Inc. Manual design and all elements of manual design are protected by United States Federal and/or State Law including Patents, Trademark, and/or Copyright Laws.



The Minka-Aire® warranty is for one (1) year from the date of purchase from an authorized Minka-Aire® dealer. This warranty is only valid to the original purchaser or user against all defects in material and workmanship (light bulbs excluded) for one (1) full year. Additionally, Minka-Aire® warrants the motor only for the lifetime of the Minka Aire ceiling fan (excluding wall controls and electrical components), to the original purchaser or user.

- * The warranty is voided with the use of any non- Minka-Aire® electrical devices, e.g., wall controls or electrical dimmer switches, etc...
- * The warranty is void once the original purchaser or user ceases to own the fan or the fan is moved from its original point of installation.
- * The warranty is void with the use of any hanger bracket (non-Minka Aire or non-fan specific) other than the hanger bracket supplied & installed with this specific fan.

Warranty Service Information

To obtain warranty service during the warranty period, the purchaser should return the fan with the sales receipt to the original place of purchase. The authorized Minka-Aire® dealer, at its sole discretion, will either repair or replace the fan after verifying the legitimacy of the warranty claim. Replacement is subject to availability of the same model. If the model is unavailable it will be replaced by one of equal value. This is a limited warranty; the original purchaser or user is responsible for the cost of removal and reinstallation of repaired or replacement product.

To obtain the name of the Minka-Aire® authorized dealer nearest you call the Minka-Aire® customer care department at 1-800-307-3267, or contact Minka-Aire® through www.minkagroup.net and select FAQ to answer any questions or if you require additional assistance submit the question form found there.

Date Purchased _____

Store Purchased _____

Model Number F671L _____

Serial Number _____

CONTENTS

| | |
|--|----|
| SAFETY RULES | 1 |
| PACKAGE CONTENTS | 2 |
| INSTALLING THE MOUNTING BRACKET..... | 3 |
| ELECTRICAL CONNECTIONS | 4 |
| INSTALLING THE WALL CONTROL..... | 5 |
| FINISHING THE INSTALLATION | 6 |
| ATTACHING THE FLYWHEEL AND FAN BLADES | 8 |
| ROMOVING THE 16W LED ASSEMBLY FROM LIGHT KIT PLATE..... | 9 |
| INSTALLING THE LIGHT KIT PLATE | 9 |
| INSTALLING THE 16W LED ASSEMBLY..... | 10 |
| INSTALLING THE GLASS SHADE..... | 11 |
| OPERATING YOUR FAN..... | 12 |
| CARE OF YOUR FAN | 13 |
| TROUBLESHOOTING..... | 14 |
| SPECIFICATIONS | 15 |



1151 W. Bradford Court, Corona, CA 92882
For Customer Assistance Call: 1-800-307-3267



SAFETY RULES

1. Before you begin installing the fan, shut power off at the circuit breaker of the fuse box.
2. Be cautious! Read all instructions and safety information before installing your new fan. Review accompanying assembly diagrams.
3. Make sure that all electrical connections comply with local codes, ordinances, or National Electrical Codes. Hire a qualified electrician or consult a do-it-yourself wiring handbook if you are unfamiliar with installing electrical wiring.
4. Make sure the installation site you choose allows the fan blades to rotate without any obstructions. Allow a minimum clearance of 7 feet from the floor and 18 inches from the tip of the blades to the wall.
5. If you are mounting the fan to a ceiling fan outlet box, use a U.L. Listed metal octagonal outlet box marked 'Acceptable for Fan Support'. Secure the box directly to the building structure. The outlet box and its support must be able to support the moving weight of the fan (at least 50 pounds) Do not use a plastic box.
6. Caution: To reduce the risk of injury use only the screws provided with the outlet box in conjunction with the lock washers provided with the fan.
7. If you are mounting the fan to a joist, make sure it is able to support the moving weight of the fan (at least 50 pounds).
8. After you install the fan, make sure that all mounting components are secured to prevent the fan from falling.
9. Do not insert anything into the fan blades while the fan is operating.
10. Turn the fan off and wait for the blades to stop completely before proceeding with maintenance or cleaning.

NOTE: The important safeguards and instructions appearing in this manual are not meant to cover all possible conditions and situations that may occur. It must be understood that common sense, caution and care are factors which can not be built into this product. These factors must be supplied by the person (s) installing, caring for and operating the unit.

NOTE:READ AND SAVE ALL INSTRUCTIONS!

WARNING

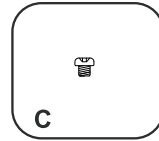
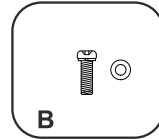
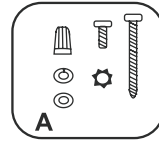
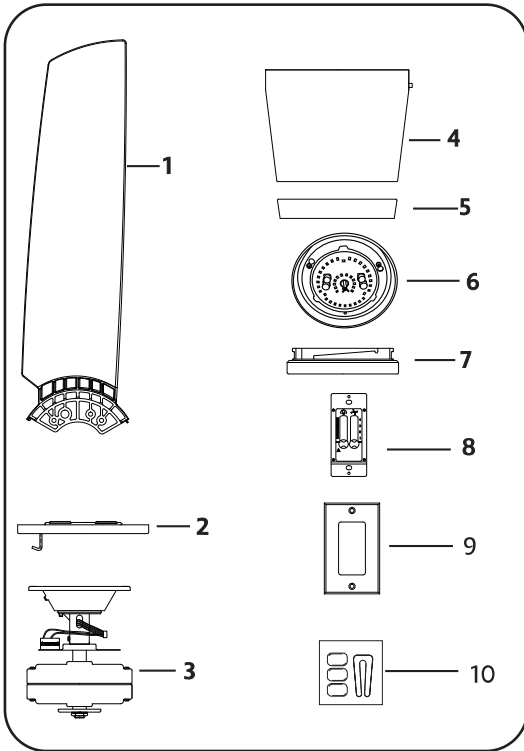
TO REDUCE THE RISK OF FIRE, ELECTRIC SHOCK OR OTHER PERSONAL INJURY, MOUNT FAN ONLY TO A U.L. LISTED OUTLET BOX OR SUPPORTING SYSTEM MARKED ACCEPTABLE FOR FAN SUPPORT AND USE MOUNTING SCREWS PROVIDED WITH THE OUTLET BOX IN CONJUNCTION WITH THE LOCK WASHERS PROVIDED WITH THE FAN. MOST OUTLET BOXES COMMONLY USED FOR FAN SUPPORT OF LIGHTING FIXTURES ARE NOT ACCEPTABLE FOR FAN SUPPORT AND NEED TO BE REPLACED. CONSULT A QUALIFIED ELECTRICIAN IF IN DOUBT.

TO REDUCE THE RISK OF PERSONAL INJURY, DO NOT BEND THE BLADE HOLDERS WHILE INSTALLING, BALANCING THE BLADES OR CLEANING THE FAN. DO NOT INSERT FOREIGN OBJECTS BETWEEN ROTATING FAN BLADES.

TO REDUCE THE RISK OF FIRE OR ELECTRONIC SHOCK, THIS FAN ONLY CAN USE DL-1171WRY SOLID-STATE SPEED CONTROL ONLY.

PACKAGE CONTENTS

Unpack your fan and check the contents. You should have the following items:



1. Fan blades(3)
2. Mounting bracket
3. Fan motor assembly
4. Fan housing
5. Flywheel
6. Light kit plate with 16W LED assembly
7. Glass shade
8. Wall control with 2 mounting screws and 5 wire nuts
9. Wall plate with 2 mounting screws
10. Balancing kit

- A. Mounting hardware:
Wire nuts(3)
#8x3/4" Machine screws (2)
#10x1.5 Wood screws (2)
4mm Star washers (2)
Metal washers (2)
Lock washers (2)
- B. Blade attachment hardware:
1/4"x20mm screws (9+1 spare)
Metal washers (9+1 spare)
- C. Flywheel attachment hardware:
1/4"x6mm Screws (3+1 spare)

INSTALLING THE MOUNTING BRACKET

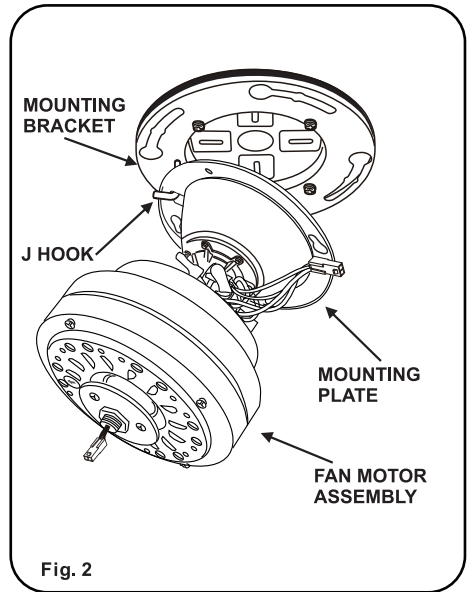
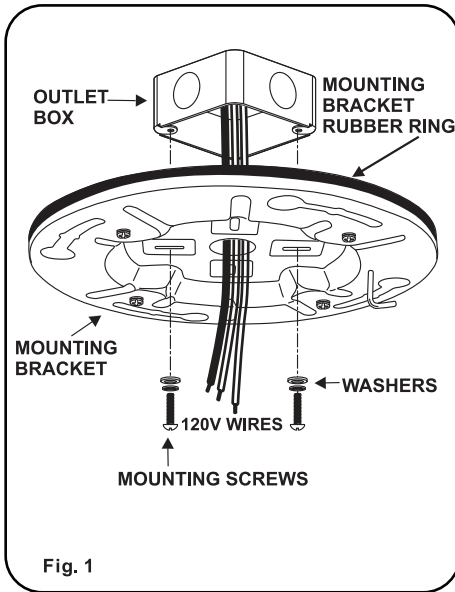
Tools Required: Phillips screw driver; slotted screw driver; step-ladder; wire cutters; electrical tape.

WARNING: All of the parts, hardware and components have been provided for your safety and the proper installation of your new ceiling fan. The use of other parts, hardware or components not supplied by Minka Aire® with the fan will void the Minka Aire® Warranty. **REMEMBER** To turn off the power. Follow the steps below to hang your fan properly.

Step 1. Attach the mounting bracket to the outlet box with two screws and washers provided with the outlet box. Make sure the bracket is tight and secured. (Fig. 1)

Note: The rubber ring on the mounting bracket can help to avoid noise from ceiling. Please do not remove it from mounting bracket.

Step 2. Lift fan into position by hanging the motor assembly onto the hook from the ceiling mounting bracket allowing it to hang freely. (Fig. 2)



ELECTRICAL CONNECTIONS

WARNING: HOOK UP IN "SERIES ONLY" DO NOT CONNECT THE HOT AND NEUTRAL WIRES OF ELECTRIC CIRCUIT TO THE WALL CONTROL - DAMAGE TO THE SWITCH AND POSSIBLE FIRE COULD OCCUR.

REMEMBER to shut the power off at the circuit breaker or fuse box. Follow the steps below to connect the fan to your house supply wires. Use the wire nuts supplied with your fan. Secure the wire nuts by wrapping the connection with electrical tape.

Proceed to make the wire connections as follows:

- a. Set the knob of light on the wall control in the - position and set the knob of speed on the wall control in the - position. (Fig.3)
- b. Make wire connections (Fig.3) and secure with wire nuts supplied.
 - Black wire from fan to black wire marked "To motor L" from speed control.
 - Black wire marked 'AC in L' from speed control to black wire from the A/C supply source.
 - White wire from fan to white wire from the A/C supply source.
 - Blue wire from fan to blue wire marked 'for light' from light control through a red wire which is shown in Fig.3. The red wire may be a different color depending on your location if your unsure please consult with a qualify electrician.
 - Connect the fan ground wire (green) to the household ground wire.

If your outlet box has a ground wire (green or bare copper) connect the wall control's ground wire to it; otherwise connect the wall control's ground wire directly to one of the screws from the outlet box.

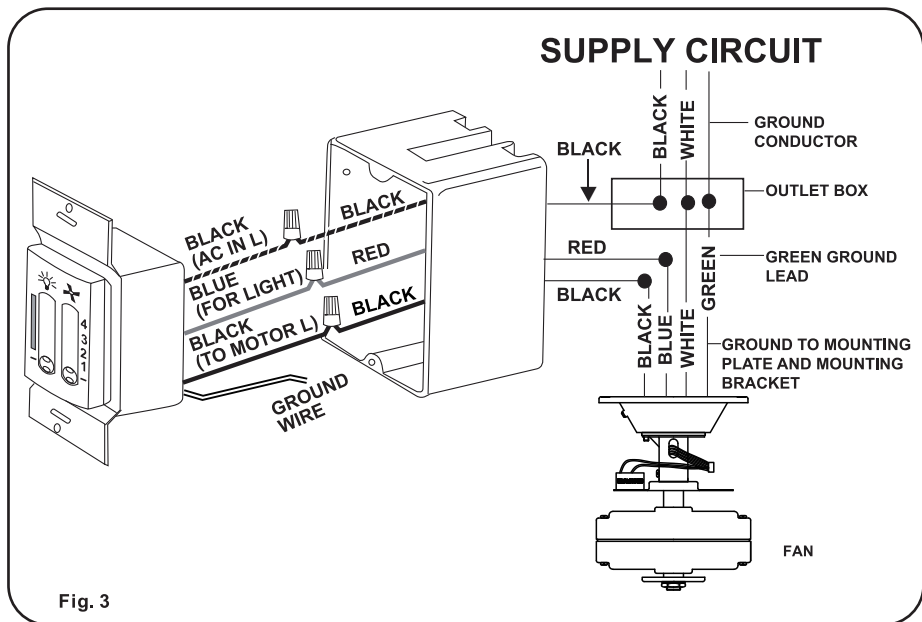
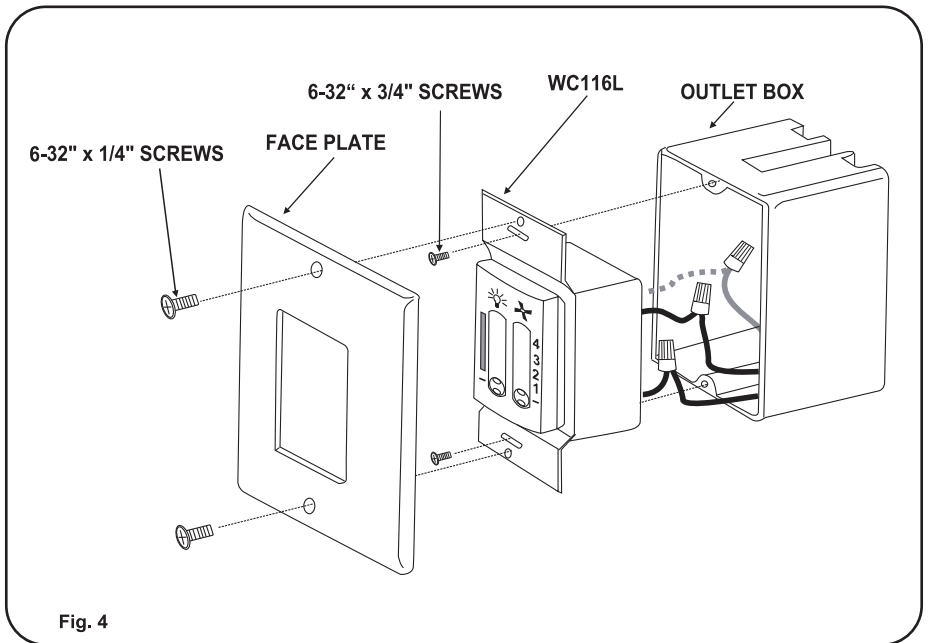


Fig. 3

INSTALLING THE WALL CONTROL

Remember to shut the power off at the circuit breaker or fuse box.

1. (Fig. 4) Carefully tuck the wire connections inside the outlet box. Secure the wall control with the two screws provided.
2. Attach the wall plate over the wall control and secure with the two screws provided.



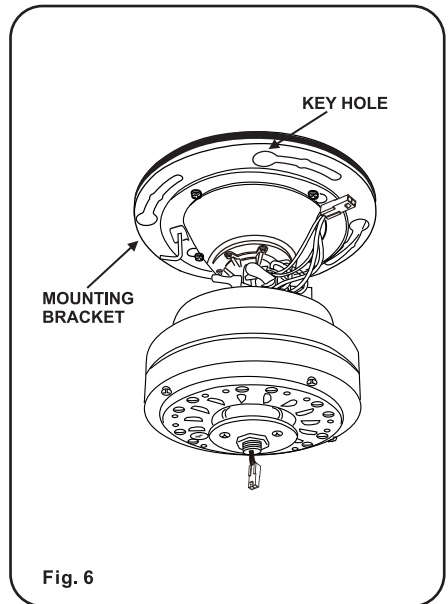
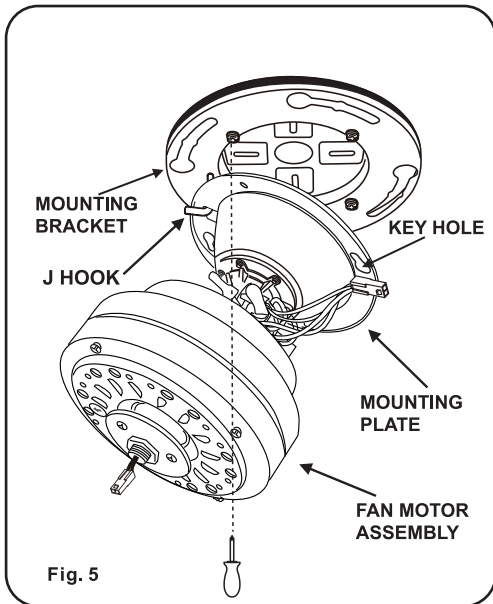
FINISHING THE INSTALLATION

Step 1. Remove one of the four screws on the mounting bracket and loosen the other three screws, but do not remove. (Fig.5)

Step 2. Lift and place the key holes on the mounting plate over the three screws previously loosened on the mounting bracket and turn the mounting plate until it locks in place and no longer turns. (Fig.5)

Step 3. Secure by tightening the three screws previously loosened and the screw previously removed. (Fig.6)

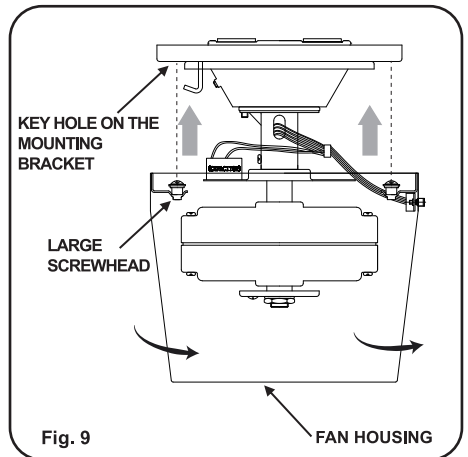
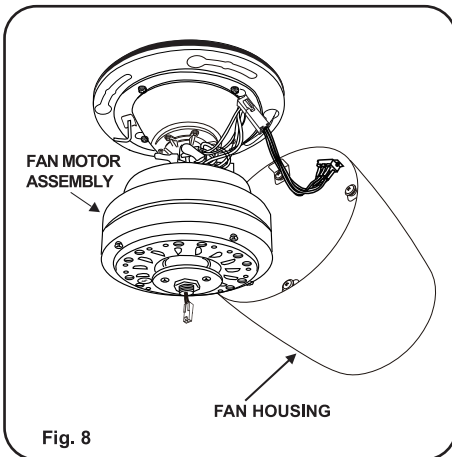
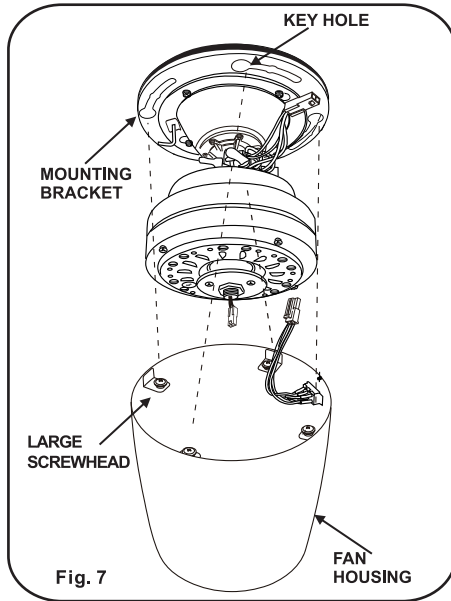
WARNING: Ensure you complete this step correctly and follow all steps. Failure to correctly follow this step might cause the fan to fall.



Step 4. Pay attention to the four large screwheads Pre-locked on the fan housing and the four key holes on the mounting bracket, they will be needed to be locked together after finished the wire connection in step 7.

Step 5. Firmly snap the wire connection plug from fan motor assembly to the wire connection plug from fan housing. (Fig.8) Make Sure the wire connections are not in the way of the housing as you lift the housing and proceed to Step 8.

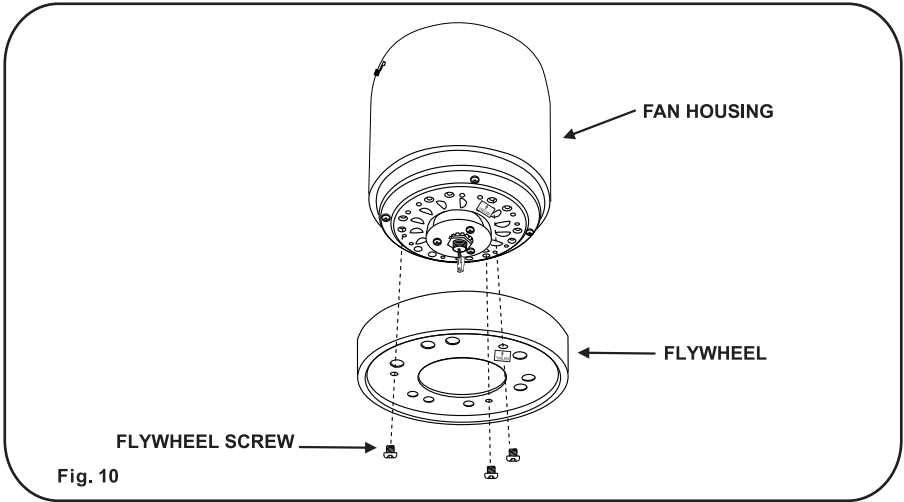
Step 6. Align the four large screwheads pre-locked on the fan housing to the key holes of the mounting bracket. Turn the fan housing at the right side and twist the screwheads to the end of the slotted holes until they lock in place and no longer turn. (Fig.9)



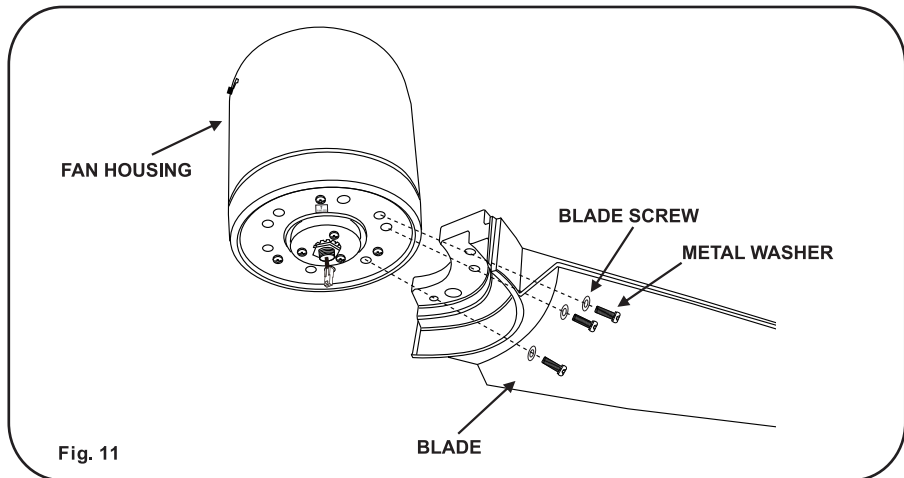
ATTACHING THE FLYWHEEL AND FAN BLADES

Step 1. Pay attention to the labels named 'flywheel screw' on the motor and the flywheel. Start from this label and align the three holes on the motor to the three holes on the flywheel. Tighten them using with three flywheel screws (1/4"x6mm) securely. (Fig.10)

Important: do not use wrong screw in this step. If using blade screws which is longer than flywheel screw to install the flywheel by mistake, it will damage the copper wire inside the motor.



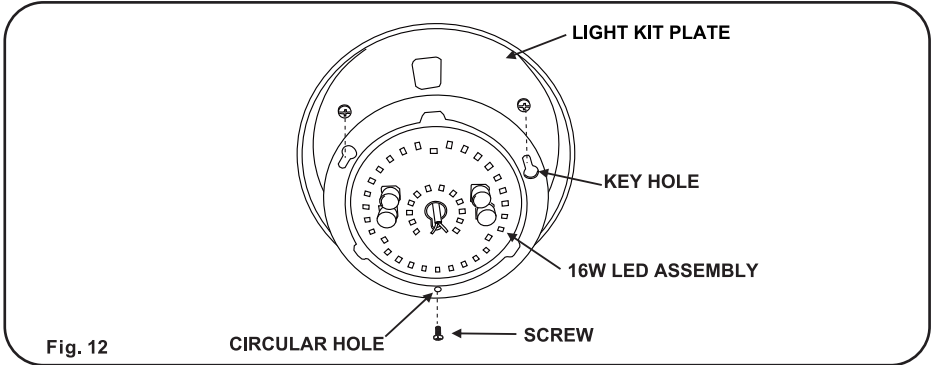
Step 2. Align the 3 holes from the blade to the flywheel. Secure blade with 3 blade screws (1/4"x20mm) and 3 metal washer provided. Follow same process for the remaining two blades. (Fig.11)



REMOVING THE 16W LED ASSEMBLY FROM LIGHT KIT PLATE

Step 1. Remove the screw from circular hole of light kit plate and loosen the other two screws from key holes approximately 1/4 turn. Keep the screw that removed aside for use later.

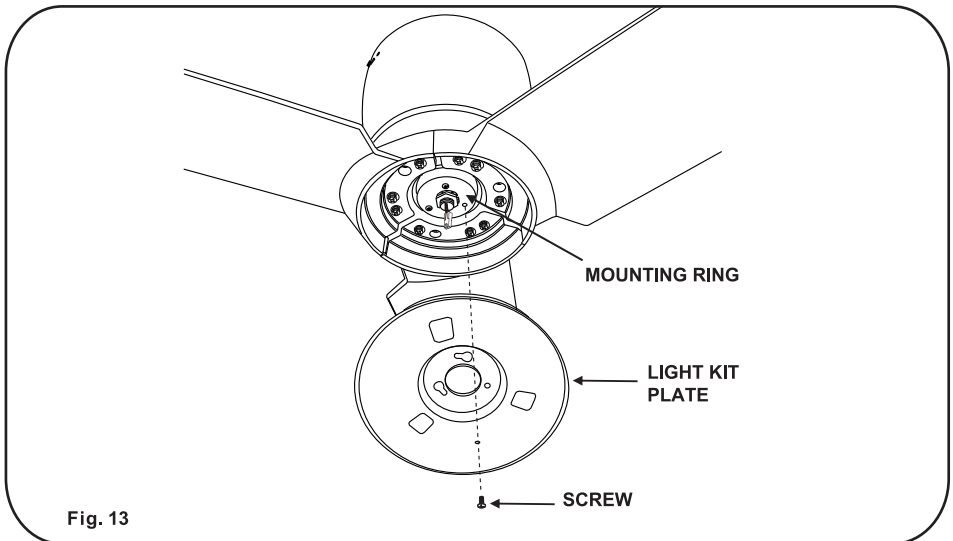
Step 2. Turn the key holes of 16W LED assembly from the two screws loosened previously and remove the 16W LED assembly from the light kit plate. (Fig.12)



INSTALLING THE LIGHT KIT PLATE

Step 1. Remove one of the screws from the fan motor assembly mounting ring and loosen the other two screws, but do not remove. (Fig.13)

Step 2. Place the key holes from light kit plate over the two screws previously loosened from the fan motor assembly mounting ring. Turn the light kit plate until it locks at the narrow section of the key holes. Secure by tightening the two screws previously loosened and the one screw previously removed. (Fig.13)



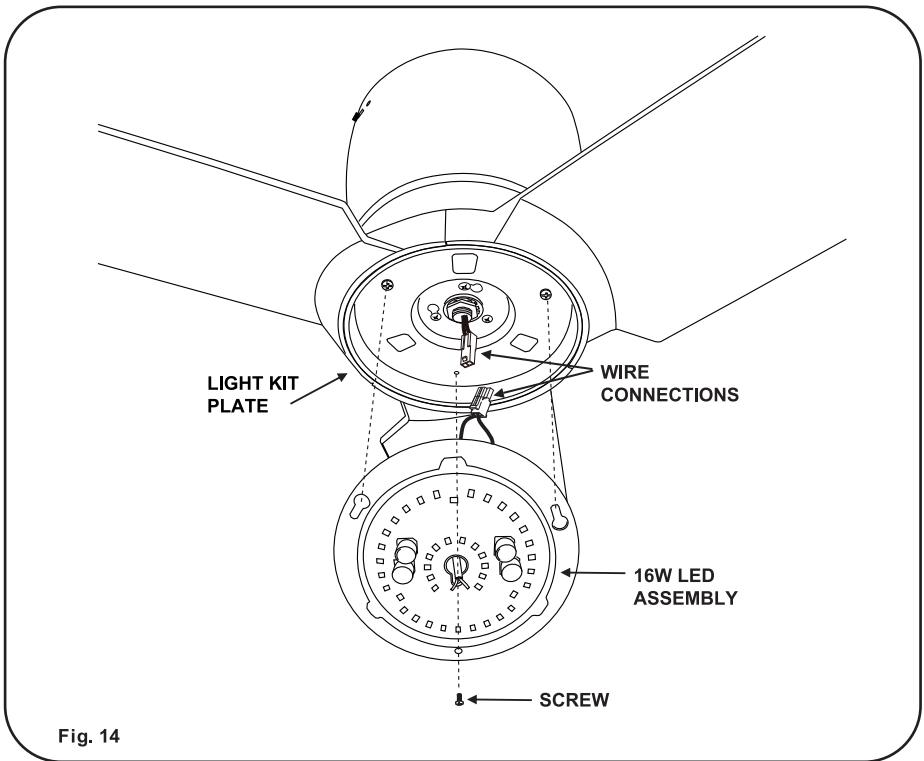
INSTALLING THE 16W LED ASSEMBLY

Step 1. While holding the 16W LED assembly under your fan, firmly snap the wire connection plugs together.

Step 2. Place the key holes from 16W LED assembly over the two screws previously loosened from the light kit plate.

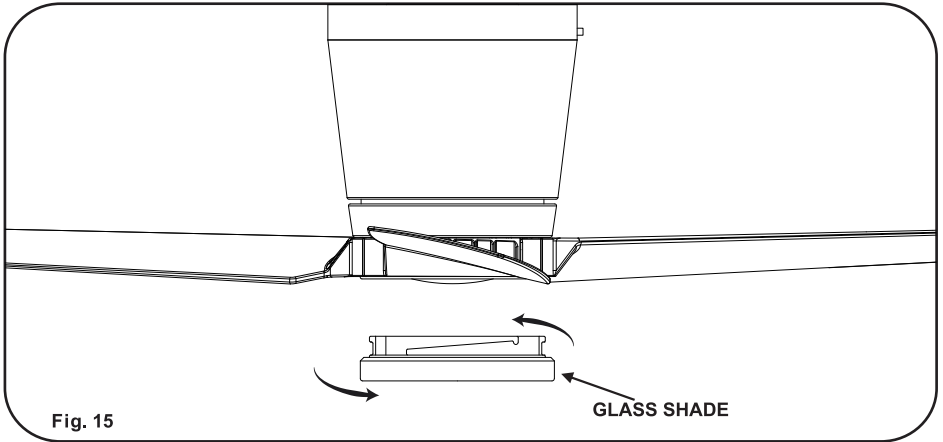
Turn the 16W LED assembly until it locks at the narrow section of the key holes.

Secure by tightening the two screws previously loosened and the one screw previously removed. (Fig.14)



INSTALLING THE GLASS SHADE

Attach the glass shade to the light kit plate by twisting tightly. (DO NOT OVERTIGHTEN) (Fig.15)



OPERATING YOUR FAN

Restore power to ceiling fan and test for proper operation.

Speed settings for warm or cool weather depend on factors such as the room size.

Ceiling height, number of fans, etc.

Turn on the power and check the operation of your fan.

The fan 4-speed control is used to set the fan speed as follows (Fig.16):

— = Turns the fan off

1= High Speed

2= Medium High Speed

3= Medium Speed

4= Low Speed

The "☀️" button will control the lights, brightness dimmer and off.

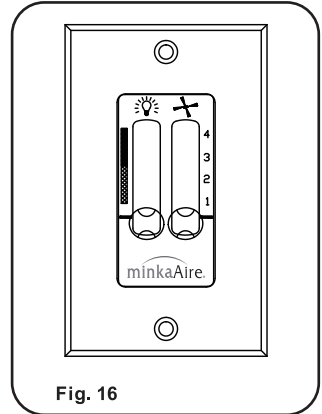


Fig. 16

The Reverse switch is located on the fan motor assembly (Fig.17). Slide the switch to the Left for warm weather operation. Slide the switch to the Right for cool weather operation.

NOTE: Wait for fan to stop before changing the setting of the slide switch.

Warm weather - (Forward)

A downward airflow creates a cooling effect as shown in Fig.18. This allows you to set your air conditioner on a warmer setting without affecting your comfort.

Cool weather - (Reverse)

An upward airflow moves warm air off the ceiling area as shown in Fig.19. This allows you to set your heating unit on a cooler setting without affecting your comfort.

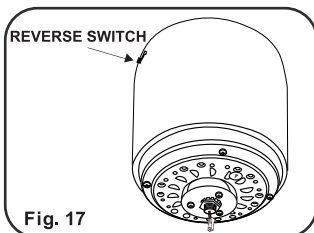


Fig. 17

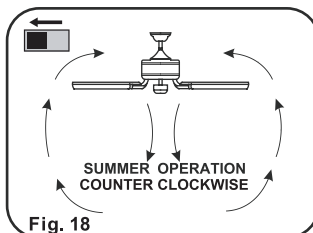


Fig. 18

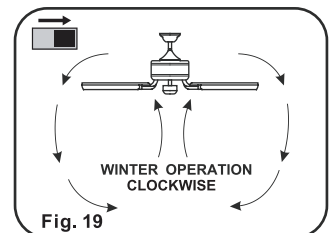


Fig. 19

CARE OF YOUR FAN

Here are some suggestions to help maintain your fan.

1. Because of the fan's natural movement some connections may become loose. Check the support connections, brackets and blade attachment twice a year. Make sure they are secure. (It is not necessary to remove fan from the ceiling).

2. Clean your fan periodically to help maintain its new appearance over the years. Use only a soft brush or lint free cloth to avoid scratching the finish. Plated finishes are sealed with lacquer to minimize discoloration or tarnishing. Do not use water when cleaning, this could damage the motor, wood blades or possibly cause an electrical shock.

3. Use a lint free lightly damp cloth or duster to remove dust from the blades.

4. There is no need to oil your fan. The motor has permanently lubricated bearings.

5. If your fan is provided with glass shades, clean with lukewarm soapy water and a soft cloth or sponge. DO NOT IMMERSE GLASS SHADES IN HOT WATER. DO NOT PUT GLASS SHADES INTO AN AUTOMATIC DISHWASHER.

WARNING!

MAKE SURE THE POWER IS OFF AT THE ELECTRICAL PANEL BOX BEFORE YOU ATTEMPT ANY REPAIRS. REFER TO THE SECTION, "ELECTRICAL CONNECTIONS".

TROUBLESHOOTING

SYMPTOM

Fan will not start

SOLUTION

- Check to make sure the wall switch is turned on.
 - Check circuit fuses or breakers.
 - Caution! Make sure the power is turned off before performing the following steps.
-

SYMPTOM

Fan Sounds Noisy

SOLUTION

- Allow a 24 - hour "break in" period. Most noises associated with a new fan will go away during this time.
 - Make sure the screws that attach the fan blade holder to the motor hub is tight.
 - Make sure outlet box is secured to building structure, if necessary use the wood screws provided to further secure outlet box to joist.
 - Make sure hanger bracket is secure to the outlet box, screws are tight.
-

SYMPTOM

Fan Wobble

SOLUTION

- NOTE: All blade sets are grouped by weight. Because wood and plastic blades vary in density, the fan may wobble even though blades are matched.
- Make sure outlet box is secured to building structure, if necessary use the wood screws provided to further secure outlet box to joist.
- Make sure hanger bracket is secure to the outlet box, screws are tight.
- If a Balancing kit is provided follow the instructions included with the balancing kit to help correct any excessive wobble.

SPECIFICATIONS

These are typical readings. Your actual fan may vary. They do not include amps and wattage used by the light (s).

| Fan Size | Speed | Volts | Amps | Watts | RPM | N.W. | G.W. | C.F. |
|----------|-------|-------|------|-------|-----|------|------|-------|
| 48" | Low | 120 | 0.19 | 11.46 | 83 | 6.58 | 9.02 | 2.06' |
| | | | | | | kgs | kgs | |
| | High | 120 | 0.35 | 42.44 | 189 | | | |

PERFORMANCE AND ENERGY INFORMATION

ENERGYGUIDE

Estimated
Yearly Energy Cost

\$8

\$3
\$34

Cost Range of Similar Models (19"—84")

- Based on 12 cents per kWh and 6.4 hours use per day
- Your cost depends on rates and use
- Energy Use: 28 Watts

All estimates based on typical use, excluding lights.

Airflow
2,807

Cubic Feet Per Minute

- The higher the airflow, the more air the fan will move
- Airflow Efficiency: 10.1 Cubic Feet Per Minute Per Watt

ftc.gov/energy

| FAN SPEED | AIRFLOW (CFM)* | POWER USE (watts) | AIRFLOW EFFICIENCY (CFM/watt) |
|-----------|----------------|-------------------|-------------------------------|
| Low | 1,577 | 11.46 | 137 |
| High | 3,891 | 42.44 | 91 |

Ceiling fan airflow is measured in cubic feet per minute (CFM). Power use is measured in watts. To maximize energy savings:

- Choose a fan with high airflow efficiency (CFM/watt).
- Use ENERGY STAR®-labeled lighting in your fan.
- Remember to switch off your fan when you leave the room.

* Measured according to the ENERGY STAR® approved Solid State test method

For any additional information about your Minka Aire® Ceiling fan, please write to:

For any additional information about your Minka Aire® Ceiling fan, please write to:



1151 W. Bradford Court, Corona, CA 92882
For Customer Assistance Call: 1-800-307-3267