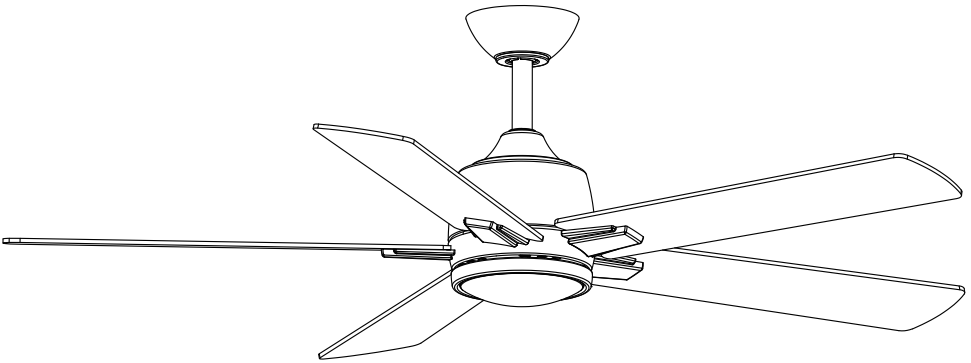


**minkaAire**<sup>®</sup>  
A Minka Group<sup>®</sup> Co.

Model NO. F619L

## **CONTRACTOR** *SERIES*



# STOUT

---



**TACTICAL TO  
PRACTICAL**

*INSTRUCTION MANUAL WARRANTY CERTIFICATE*

©2021 Minka Lighting Inc. Manual design and all elements of manual design are protected by United States Federal and/or State Law including Patents, Trademark, and/or Copyright Laws.



The Minka-Aire® warranty is for one (1) year from the date of purchase from an authorized Minka-Aire® dealer.

This warranty is only valid to the original purchaser or user against all defects in material and workmanship (light bulbs excluded) for one (1) full year. Additionally, Minka-Aire® warrants the motor only for the lifetime of the Minka Aire ceiling fan (excluding wall controls and electrical components), to the original purchaser or user.

- \* The warranty is voided with the use of any non- Minka-Aire® electrical devices, e.g., wall controls or electrical dimmer switches, etc...
- \* The warranty is void once the original purchaser or user ceases to own the fan or the fan is moved from its original point of installation.
- \* The warranty is void with the use of any hanger bracket (non-Minka Aire or non-fan specific) other than the hanger bracket supplied & installed with this specific fan.

## Warranty Service Information

To obtain warranty service during the warranty period, the purchaser should return the fan with the sales receipt to the original place of purchase. The authorized Minka-Aire® dealer, at its sole discretion, will either repair or replace the fan after verifying the legitimacy of the warranty claim. Replacement is subject to availability of the same model. If the model is unavailable it will be replaced by one of equal value. This is a limited warranty; the original purchaser or user is responsible for the cost of removal and reinstallation of repaired or replacement product.

To obtain the name of the Minka-Aire® authorized dealer nearest you call the Minka-Aire® customer care department at 1-800-307-3267, or contact Minka-Aire® through [www.minkagroup.net](http://www.minkagroup.net) and select FAQ to answer any questions or if you require additional assistance submit the question form found there.

Date Purchased \_\_\_\_\_

Store Purchased \_\_\_\_\_

Model Number      F619L \_\_\_\_\_

# CONTENTS

SAFETY RULES .....	1
PACKAGE CONTENTS .....	2
INSTALLING THE FAN .....	3
HANGING THE FAN .....	4
ELECTRICAL CONNECTIONS.....	6
INSTALLING THE CANOPY AND..... CANOPY COVER	7
INSTALLING THE BLADE ARM TO THE..... FLYWHEEL	8
INSTALLING THE FLYWHEEL TO THE FAN..... MOTOR ASSEMBLY	9
ATTACHING THE BLADES TO THE..... BLADE ARM	10
INSTALLING THE 16W LED ASSEMBLY.....	11
OPERATING YOUR FAN .....	12
CARE OF YOUR FAN .....	14
TROUBLESHOOTING .....	15
SPECIFICATIONS .....	16



1151 W. Bradford Court, Corona, CA 92882  
For Customer Assistance Call: 1-800-307-3267



# SAFETY RULES

READ AND SAVE THESE INSTRUCTIONS.

1. To reduce the risk of electric shock, ensure electricity has been turned off at the circuit breaker or fuse box before beginning.
2. All wiring must be in accordance with the National Electrical Code "ANSI/NFPA 70-1999" and local electrical codes. Electrical installation should be performed by a qualified licensed electrician.
3. The outlet box and support structure must be securely mounted and capable of reliably supporting a minimum of 35 lbs. Use only UL-listed outlet boxes marked "FOR FAN SUPPORT."
4. The fan must be mounted with a minimum of 7 ft. clearance from the trailing edge of the blades to the floor.
5. Avoid placing objects in the path of the blades.
6. To avoid personal injury or damage to the fan and other items, be cautious when working around or cleaning the fan.
7. Do not use water or detergents when cleaning the fan or fan blades. A dry dust cloth or lightly dampened cloth will be suitable for most cleaning.
8. After making electrical connections, spliced conductors should be turned upward and pushed carefully up into the outlet box. The wires should be spread apart with the grounded conductor and the equipment-grounding conductor on one side of the outlet box and ungrounded conductor on the other side of the outlet box.
9. All setscrews must be checked and retightened where necessary before installation.
10. Turn the fan off and wait for the blades to stop completely before performing any maintenance or cleaning.

NOTE: The important safeguards and instructions appearing in this manual are not meant to cover all possible conditions and situations that may occur. It must be understood that common sense, caution and care are factors which can not be built into this product. These factors must be supplied by the person (s) installing, caring for and operating the unit.

**NOTE: READ AND SAVE ALL INSTRUCTIONS!**

## WARNING

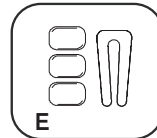
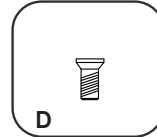
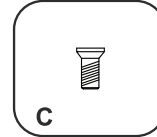
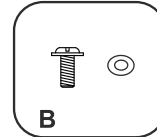
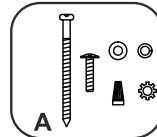
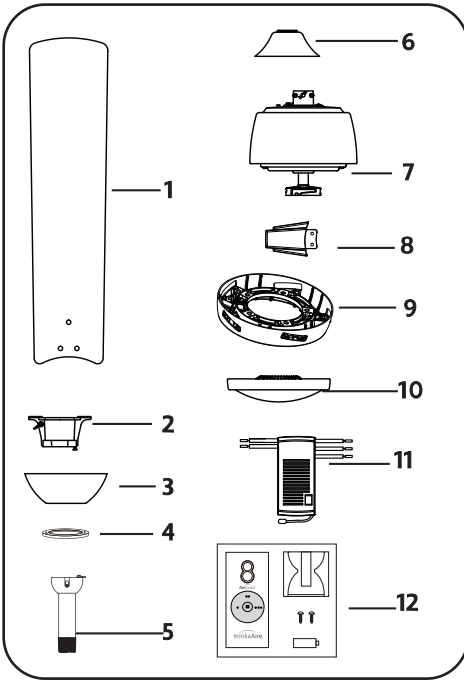
TO REDUCE THE RISK OF FIRE, ELECTRIC SHOCK OR OTHER PERSONAL INJURY, MOUNT FAN ONLY TO A U.L. LISTED OUTLET BOX OR SUPPORTING SYSTEM MARKED ACCEPTABLE FOR FAN SUPPORT AND USE MOUNTING SCREWS PROVIDED WITH THE OUTLET BOX IN CONJUNCTION WITH THE LOCK WASHERS PROVIDED WITH THE FAN. MOST OUTLET BOXES COMMONLY USED FOR FAN SUPPORT OF LIGHTING FIXTURES ARE NOT ACCEPTABLE FOR FAN SUPPORT AND NEED TO BE REPLACED. CONSULT A QUALIFIED ELECTRICIAN IF IN DOUBT.

TO REDUCE THE RISK OF PERSONAL INJURY, DO NOT BEND THE BLADE HOLDERS WHILE INSTALLING, BALANCING THE BLADES OR CLEANING THE FAN. DO NOT INSERT FOREIGN OBJECTS BETWEEN ROTATING FAN BLADES.

TO REDUCE THE RISK OF FIRE OR ELECTRONIC SHOCK, THIS FAN ONLY CAN USE DL-1167RYS -02 SOLID-STATE SPEED CONTROL WITH DL-411G-01 REMOTE CONTROL ONLY.

# PACKAGE CONTENTS

Unpack your fan and check the contents. You should have the following items:



1. Fan blades(5)
2. Hanger bracket
3. Canopy
4. Canopy cover
5. Standard downrod assembly(6")
6. Coupling cover
7. Fan motor assembly
8. Blade arm(5)
9. Flywheel
10. 16W LED assembly
11. Receiver(1) + wire nut (6)
12. Transmitter + holder + 2 mounting screws + A23 12 volt battery

- A. Mounting hardware:
  - Wire nuts(3)
  - #8x3/4" Machine screws (2)
  - #10x1.5 Wood screws (2)
  - Star washers (2)
  - Metal washers (2)
  - Lock washers (2)
- B. Blade attachment hardware:
  - 3/16" x 8mm blade screws ( 15 + 1 spare)
  - Fiber washers ( 15 + 1 spare)
- C. Blade arm attachment hardware:
  - 1/4" x 10.5mm blade arm screws (10 + 1 spare)
- D. Flywheel attachment hardware:
  - 1/4" x 10.5mm flywheel screws (5 + 1 spare)
- E. Balancing kit

# INSTALLING THE FAN

Tools Required: Phillips screw driver; slotted screw driver; step-ladder; wire cutters; electrical tape.

## MOUNTING OPTIONS

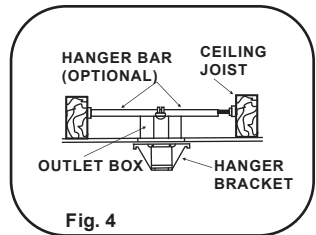
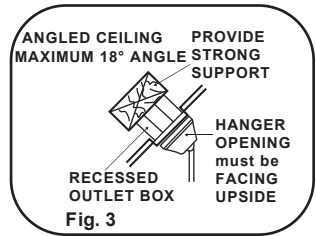
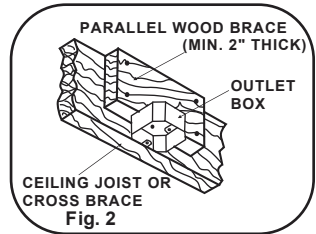
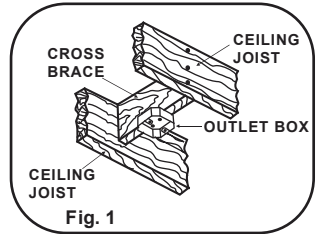
If there isn't an existing mounting box, then read the following instructions. Disconnect the power by removing fuses or turning off circuit breakers.

Secure the outlet box directly to the building structure. Use appropriate fasteners and building materials. The outlet box and its support must be able to fully support the moving weight of the fan (at least 50 lbs.). Use a UL Listed metal outlet box. Do not use a plastic outlet box.

Figure 1, 2 and 3 are examples of different ways to mount the outlet box.

**NOTE:** You may need a longer downrod to maintain proper blade clearance when installing on a steep, sloped ceiling. Longer downrods are available from your Minka-Aire® dealer.

To hang your fan where there is an existing fixture but no ceiling joist, you may need to install a hanger bar as shown in Fig. 4 (available at your Minka-Aire® dealer).

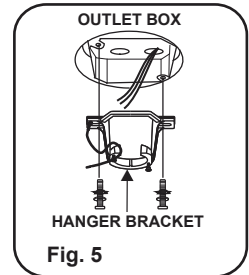


# HANGING THE FAN

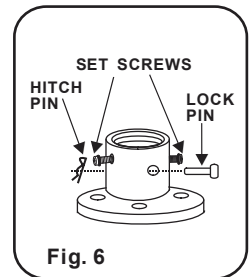
**WARNING:** All of the parts, hardware and components such as the hanger bracket and hanger ball have been provided for your safety and the proper installation of your new ceiling fan. The use of other parts, hardware or components not supplied by Minka Aire® with the fan will void the Minka Aire® Warranty.

**REMEMBER** to turn off the power. Follow the steps below to hang your fan properly:

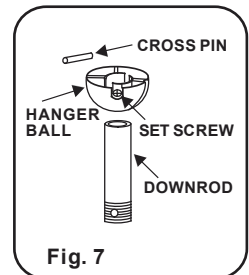
Step 1. Secure the hanger bracket to the ceiling outlet box using screws included with your outlet box, lock washers included with the fan. (Fig. 5)



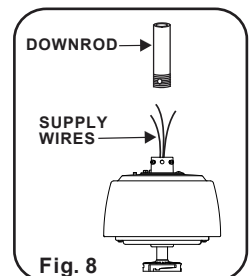
Step 2. Loosen the two set screws and remove the hitch pin and lock pin from the top coupling of the motor assembly. (Fig. 6)



Step 3. Remove hanger ball from downrod assembly by loosening set screw, removing the cross pin, and sliding ball off rod. (Fig. 7)



Step 4. Carefully feed fan wires up through the downrod. (Fig. 8) Thread the rod into the coupling, next line up holes and replace lock pin and hitch pin. Tighten set screws.





Step 5. Slip coupling cover, canopy cover and canopy onto downrod. (Fig. 9) Carefully reinstall hanger ball onto rod being sure that cross pin is in the correct position, set screws are tighten and wires are not twisted.

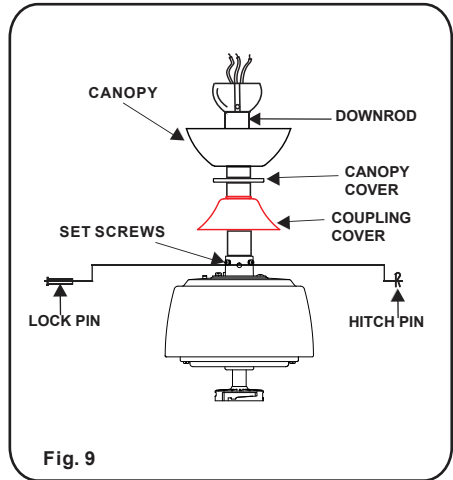


Fig. 9

Step 6. Now lift motor assembly into position and place hanger ball into hanger bracket. Rotate until the check groove has dropped into the registration slot and seats firmly. (Fig. 10) Rod should not rotate if this is done correctly.

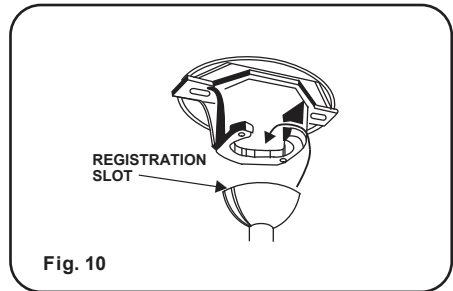


Fig. 10

# ELECTRICAL CONNECTIONS

**WARNING:** To avoid possible electrical shock be sure electricity is turned off at the main fuse or breaker box before wiring.

**NOTE:** The Aire Control® System is equipped with a learning frequency function which has 256 code combinations to prevent potential interference from other remote units. The frequency on your Receiver and Transmitter units have been preset at the factory. (Fig.11) No frequency change is necessary, should you desire to install another fan within the same home or area with a separate frequency code please see the "frequency interference" troubleshooting section of this instruction manual to learn how to change the frequency.

**Step 1.** Insert Receiver into Hanger Bracket with the flat side of the Receiver facing the ceiling.(Fig.12)

**Step 2.** Motor to Receiver Electrical Connections: Connect the WHITE wire from the fan to the WHITE wire marked " TO MOTOR N" from the Receiver. Connect the BLACK wire from the fan to the BLACK wire marked " TO MOTOR L" from the Receiver. Connect the BLUE wire from the fan to the BLUE wire marked "For Light" from the Receiver.

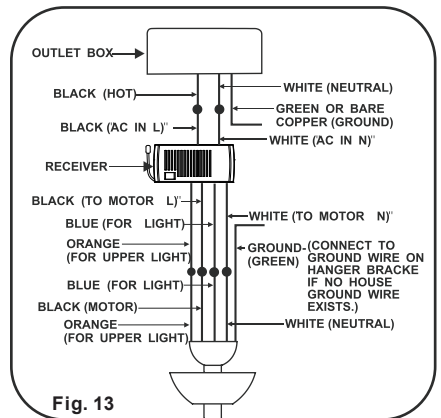
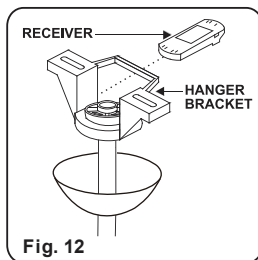
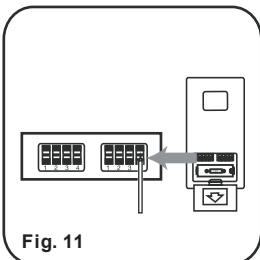
**NOTE:** If your ceiling fan features an UP Light: Connect the ORANGE wire from the fan to the ORANGE wire marked " For Up Light " from the Receiver. Otherwise disregard this step and proceed to secure all wire connections with the plastic wire nuts provided.(Fig.13)

**Note:** Fan must be installed from a maximum distance of 40 feet from the transmitting unit for proper signal transmission between the transmitting unit and the fan's receiving unit.

**Step 3.** Receiver to House Supply Wires Electrical connections: Connect the WHITE wire (Neutral) from the outlet box to the WHITE wire marked "AC IN N" from the receiver. Connect the BLACK wire(Hot) from the outlet box to the BLACK wire marked "AC IN L" from the receiver. Secure all wire connections with the plastic wire nuts provided.(Fig.13)

**Step 4.** If your outlet box has a GROUND wire (Green or Bare Copper) connect this wire to the Hanger Ball and Hanger Bracket Ground wires. If your outlet box does not have a Ground Wire, then connect the Hanger Ball and Hanger Bracket Ground Wire together. Secure wire connection with the plastic wire nut provided.(Fig. 13 )

After all splices are made, check to make sure there are no loose strands. As an additional precaution we suggest to secure the plastic wire connectors to the wires with electrical tape.



# INSTALLING THE CANOPY AND CANOPY COVER

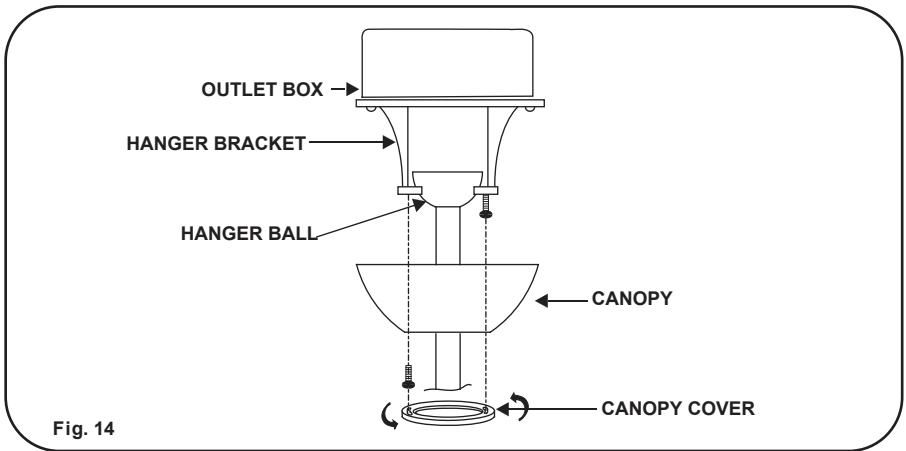
Step 1. Tuck connections neatly into ceiling outlet box.

Step 2. Remove one screw from the hanger bracket and loosen the other screw around 1/4."

Step 3. Align the canopy up to ceiling and over the loose screw. Place the canopy into key hole and rotate canopy clockwise. (Figure 14)

Step 4. Secure the canopy by use previous removed screw.

Step 5. Place the canopy cover to the canopy and rotate canopy cover clockwise until it is locked into right position. (Figure 14)



# INSTALLING THE BLADE ARM TO THE FLYWHEEL

Insert the blade arm through the slot on the flywheel. Attached the blade arm to the flywheel using the two blade arm screws and tighten them securely. Repeat the step for the other four blade arms. (Fig.15)

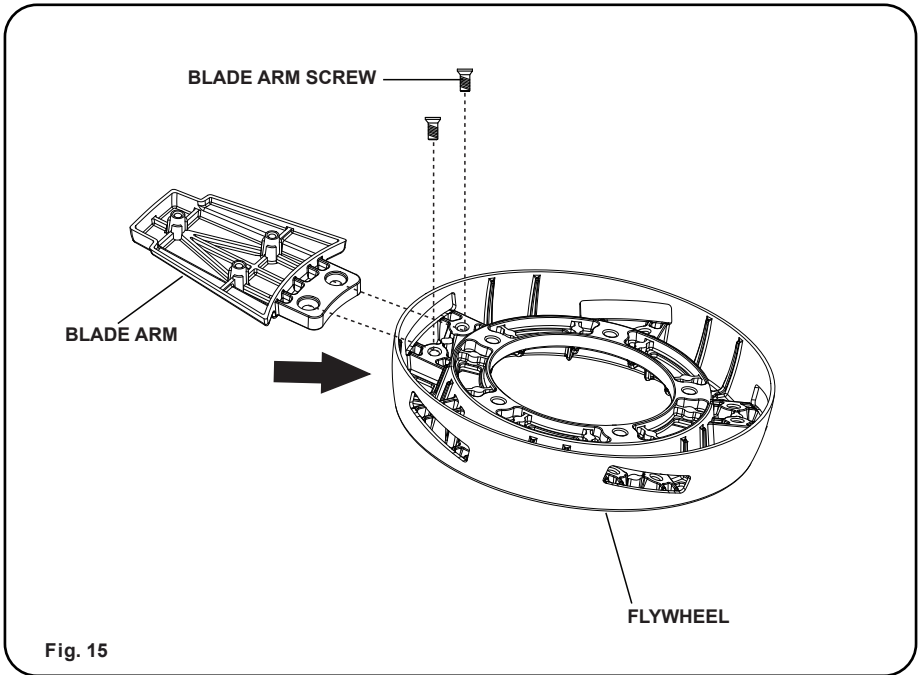
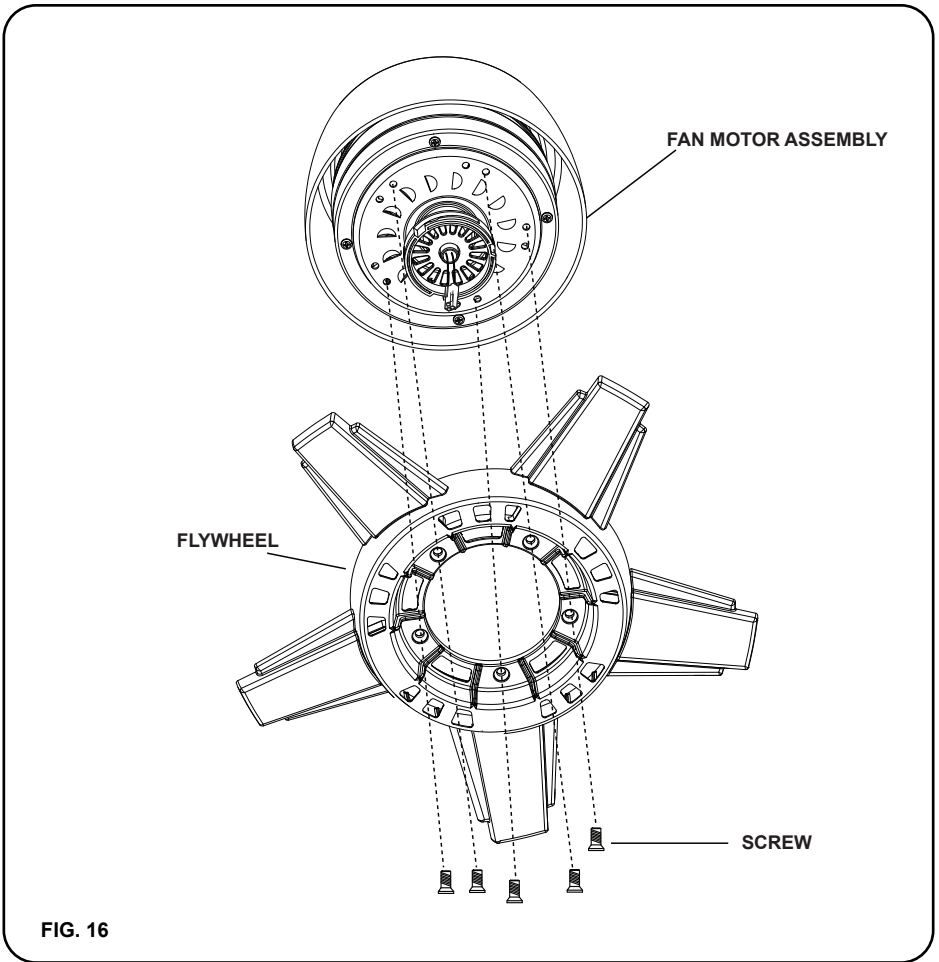


Fig. 15

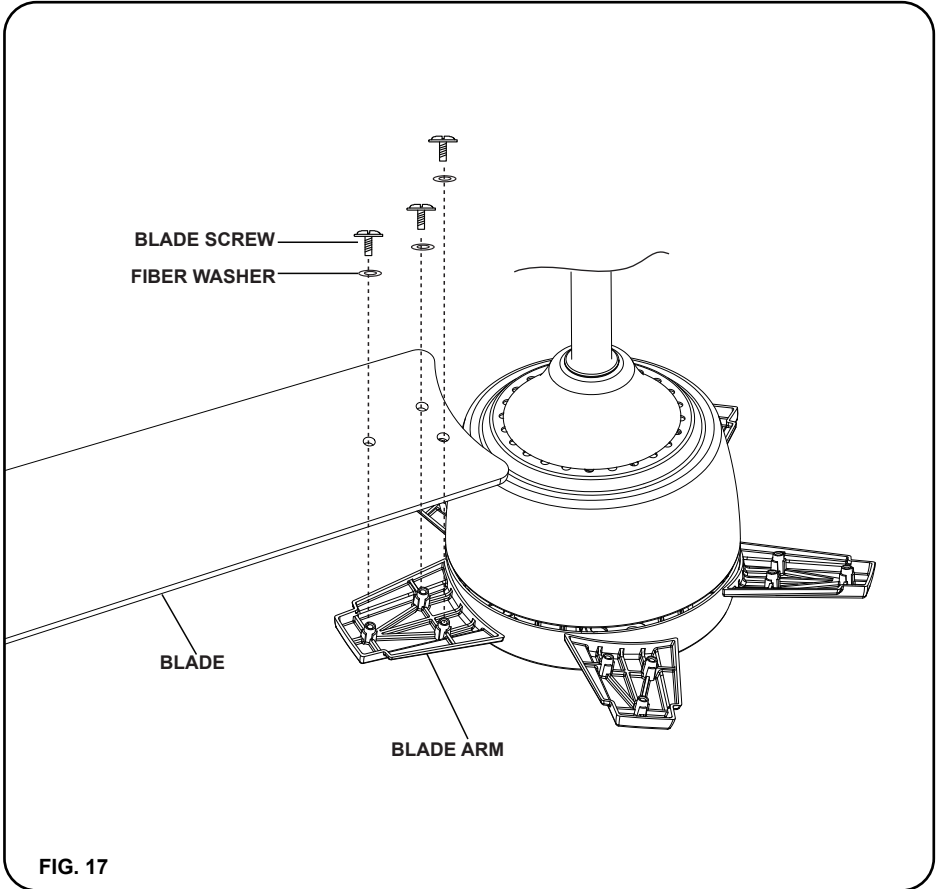
# INSTALLING THE FLYWHEEL ASSEMBLY TO THE FAN MOTOR ASSEMBLY

Tighten the flywheel onto the bottom of fan motor assembly by using the five flywheel screws. (Fig.16)



# ATTACHING THE BLADES TO THE BLADE ARM

Attach the fan blade to the blade arm by using the three blade screws and the three fiber washers. Tighten all blade screws and washers securely. Repeat same process for the other four blades. (Fig.17)



# INSTALLING THE 16W LED ASSEMBLY

**CAUTION:** To Reduce The Risk Of Electric Shock, Disconnect The Electrical Supply Circuit To The Fan Before Installing The Light Kit.

- Step 1. While holding the 16W LED assembly under your fan, firmly snap the wire connection plugs together.
- Step 2. Attach the 16W LED assembly to the switch box by twisting tightly.

**NOTE:** This is an integrated LED light kit assembly and can not be disassembled to prevent electronic shock.

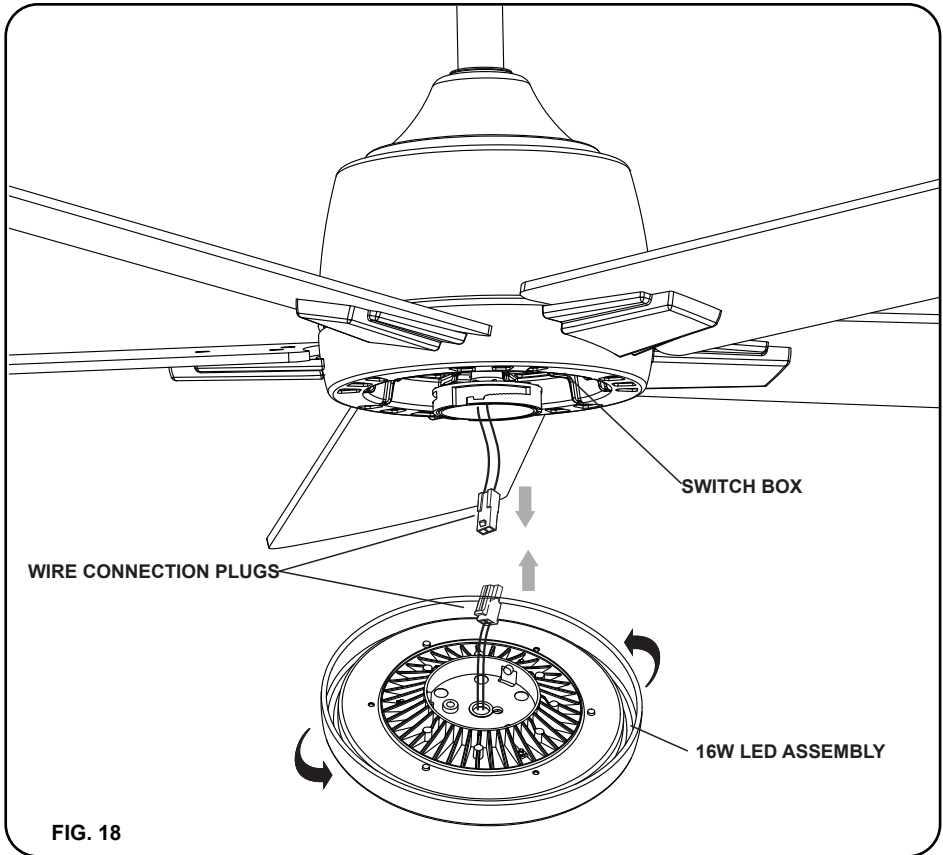


FIG. 18

# OPERATING YOUR FAN

Remote Control only: Install a A23 12volt battery (included). To prevent damage to transmitter remove the battery if not used for long periods of time.  
Restore Power to Ceiling Fan.

A. ●●● Buttons:

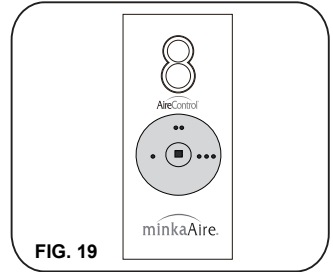
These buttons are used to set the fan speeds as follows:




- = Low Speed
- = Medium Speed
- = High Speed

B. ■ Button:

This button turns the fan off.

C.  Button:



These buttons turn the light ON or OFF and also control the brightness settings of the light. The following instructions apply to ceiling fans that feature a DOWN light ( button) only or ceiling fans that feature an UP light ( button) and a DOWN light ( button) that are controlled independent of each other;

Press and release the button for the desired light to turn the light ON or OFF. Press and hold the button to set the desired light brightness. The light will cycle between bright and dim settings as long as the button is pressed. The light key has an automatic auto-resume feature that allows the light to remain at the same brightness as the last time it was turned off.



Speed settings for warm or cool weather depend on factors such as the room size. Ceiling height, number of fans, etc.

The reverse switch is located on the fan motor assembly (Fig.20). Slide the switch to the Left for warm weather operation. Slide the switch to the Right for cool weather operation.

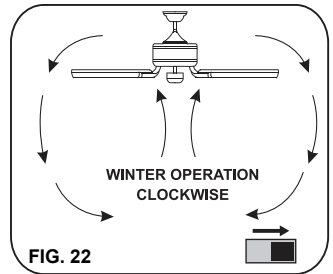
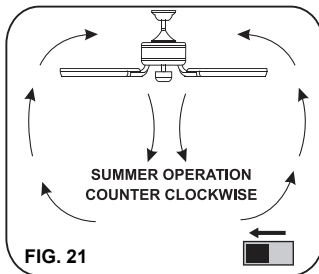
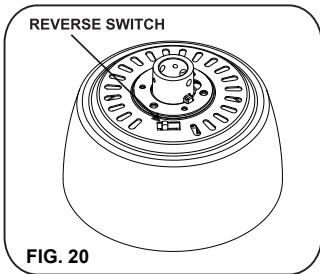
**NOTE:** Wait for fan to stop before changing the setting of the slide switch.

#### Warm weather - (Forward)

A downward airflow creates a cooling effect as shown in Fig.21. This allows you to set your air conditioner on a warmer setting without affecting your comfort.

#### Cool weather - (Reverse)

An upward airflow moves warm air off the ceiling area as shown in Fig.22. This allows you to set your heating unit on a cooler setting without affecting your comfort.



# **CARE OF YOUR FAN**

Here are some suggestions to help maintain your fan.

1. Because of the fan's natural movement some connections may become loose. Check the support connections, brackets and blade attachment twice a year. Make sure they are secure. (It is not necessary to remove fan from the ceiling).

2. Clean your fan periodically to help maintain its new appearance over the years. Use only a soft brush or lint free cloth to avoid scratching the finish. Plated finishes are sealed with lacquer to minimize discoloration or tarnishing. Do not use water when cleaning, this could damage the motor, wood blades or possibly cause an electrical shock.

3. Use a lint free lightly damp cloth or duster to remove dust from the blades.

4. There is no need to oil your fan. The motor has permanently lubricated bearings.

5. If your fan is provided with glass shades, clean with lukewarm soapy water and a soft cloth or sponge. **DO NOT IMMERSE GLASS SHADES IN HOT WATER. DO NOT PUT GLASS SHADES INTO AN AUTOMATIC DISHWASHER.**

## **WARNING!**

**MAKE SURE THE POWER IS OFF AT THE ELECTRICAL PANEL BOX BEFORE YOU ATTEMPT ANY REPAIRS. REFER TO THE SECTION, "ELECTRICAL CONNECTIONS".**

# TROUBLESHOOTING

## SYMPTOM

Fan will not start

## SOLUTION

- Check to make sure the wall switch is turned on.
  - Check circuit fuses or breakers.
  - Caution! Make sure the power is turned off before performing the following steps.
- 

## SYMPTOM

Fan Sounds Noisy

## SOLUTION

- Allow a 24 - hour "break in" period. Most noises associated with a new fan will go away during this time.
  - Make sure the screws that attach the fan blade holder to the motor hub is tight.
  - Make sure outlet box is secured to building structure, if necessary use the wood screws provided to further secure outlet box to joist.
  - Make sure hanger bracket is secure to the outlet box, screws are tight.
- 

## SYMPTOM

Fan Wobble

## SOLUTION

- NOTE: All blade sets are grouped by weight. Because wood and plastic blades vary in density, the fan may wobble even though blades are matched.
  - Make sure outlet box is secured to building structure, if necessary use the wood screws provided to further secure outlet box to joist.
  - Make sure hanger bracket is secure to the outlet box, screws are tight.
  - If a Balancing kit is provided follow the instructions included with the balancing kit to help correct any excessive wobble.
- 

## SYMPTOM

Fans/Light Turn on and Off Unexpectedly

## SOLUTION

- This is caused by interference. Please see "frequency interference" for step to change the frequency.
- 

## SYMPTOM

Frequency Interference

## SOLUTION

1. Turn the power off to your ceiling fan.
2. Please use a small size tool to change the frequency settings on the control system.
3. Return power to the unit.

Note: After the AC power is on, do not press any other button on the transmitter before pressing the "Stop" button, doing so will cause the procedure to fail.

4. Within 60 seconds of turning the fan's AC power ON. Press the transmitter's "Stop" button and hold the "Stop" button for 10 seconds.
5. Once the receiver has detected the set frequency, the down light of your fan will blink twice and the fan will begin to rotate for a short period and then shut off.
6. The receiver has now learn the frequency which has been selected on the transmitter. After completing the steps above, you should be able to operate the ceiling fan and light. If the fan is not responding to the transmitter. please turn the power off to the receiver, and repeat the process.

# SPECIFICATIONS

These are typical readings. Your actual fan may vary. They do not include amps and wattage used by the light (s).

Fan Size	Speed	Volts	Amps	Watts	RPM	N.W.	G.W.	C.F.
54"	Low	120	0.27	15.05	67	7.13	9.21	1.624'
	High	120	0.55	65.47	153	kgs	kgs	

## PERFORMANCE AND ENERGY INFORMATION

### ENERGYGUIDE

Estimated  
Yearly Energy Cost

\$12

\$3
\$34

Cost Range of Similar Models (19"—84")

- Based on 12 cents per kWh and 6.4 hours use per day
- Your cost depends on rates and use
- Energy Use: 43 Watts

Airflow

3,286

Cubic Feet Per Minute

- The higher the airflow, the more air the fan will move
- Airflow Efficiency: 76 Cubic Feet Per Minute Per Watt

All estimates based on typical use, excluding lights ftc.gov/energy

FAN SPEED	AIRFLOW (CFM)*	POWER USE (watts)	AIRFLOW EFFICIENCY (CFM/watt)
Low	1,793	15.05	119
High	4,602	65.47	70

**Ceiling fan airflow is measured in cubic feet per minute (CFM). Power use is measured in watts. To maximize energy savings:**

- Choose a fan with high airflow efficiency (CFM/watt).
- Use ENERGY STAR® -labeled lighting in your fan.
- Remember to switch off your fan when you leave the room.

\* Measured according to the ENERGY STAR® approved Solid State test method

For any additional information about your Minka Aire® Ceiling fan, please write to:

For any additional information about your Minka Aire® Ceiling fan, please write to:



1151 W. Bradford Court, Corona, CA 92882  
For Customer Assistance Call: 1-800-307-3267