

ASSEMBLY INSTRUCTIONS FOR 30459 (M72-30)

FIGURE A

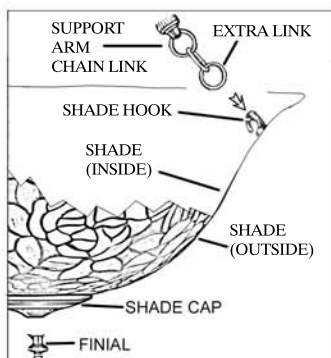
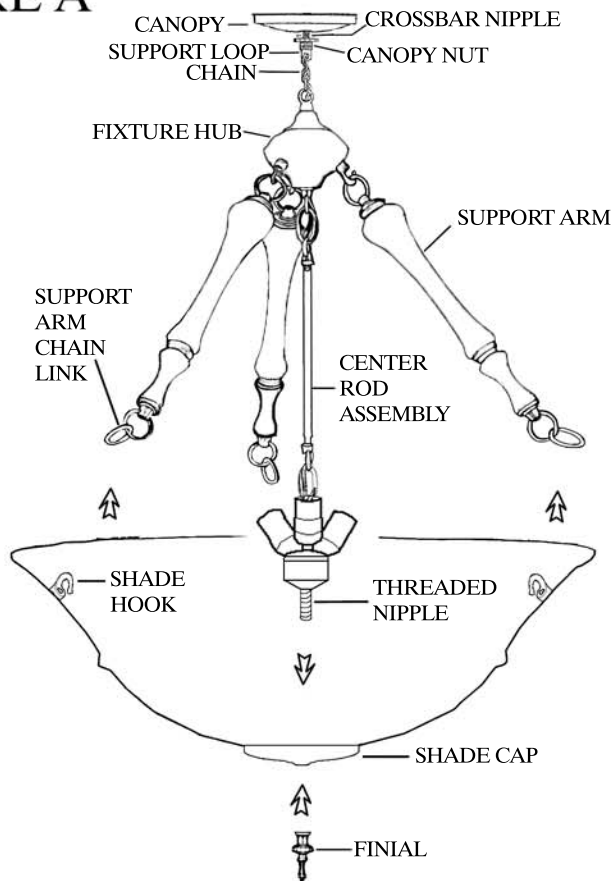


FIGURE C

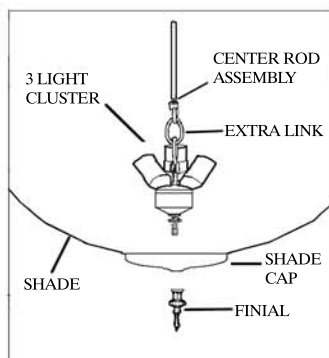


FIGURE B

IMPORTANT

TURN OFF THE POWER AT THE MAIN FUSE OR CIRCUIT BREAKER BOX BEFORE STARTING INSTALLATION

CAREFULLY UNPACK AND IDENTIFY ALL PARTS BEFORE ASSEMBLY. BULBS ARE NOT INCLUDED

1. ASSEMBLE FIXTURE AS SHOWN IN FIGURE A:

2. Install assembled fixture FIGURE A. to ceiling. Pull wire with ground wire through crossbar nipple carefully. (Follow procedure shown in Electrical Connection instruction.)

3. Attach support arm (3) chain link to shade hook, place center rod assembly (threaded nipple) through shade cap, attach finial.

VERY IMPORTANT:

Center rod assembly holds weight of the shade only. Support arms are used only for shade balance

Note:

With support arms attached to shade you may find that center rod assembly is too long, you will need to add chain links to bottom of support arms. (FIG B.)

or

With support arms attached to shade you may find that center rod assembly is too short. You will need to add chain links to bottom of center rod assembly. (FIG B.)

4. Finial is used for final adjustment

ELECTRICAL CONNECTIONS:

1. Cut excess wire ABOVE Crossbar to 6 inches. Split the wire into 2 separate leads. Strip one inch of plastic insulator from the ends of each lead.
2. Connect the half of the wire with the ribbed surface to the white wire of the supply box. Connect the smooth half of the wire (the half with the markings) to the black wire of the supply box. Connect the bare copper Ground Wire to the green screw of the crossbar. Use UL listed wire connectors suitable for the size, type, and number of conductors. No loose strands or loose connections should be present. Secure wire connectors with electrical tape.



"A Commitment to Excellence in Lighting and Service"

CALL OUR CUSTOMER SERVICE DEPARTMENT AT 1-800-222-4009

MONDAY - FRIDAY 8:00 a.m. - 6:00 p.m. ET

visit us on the web at www.meyda.com