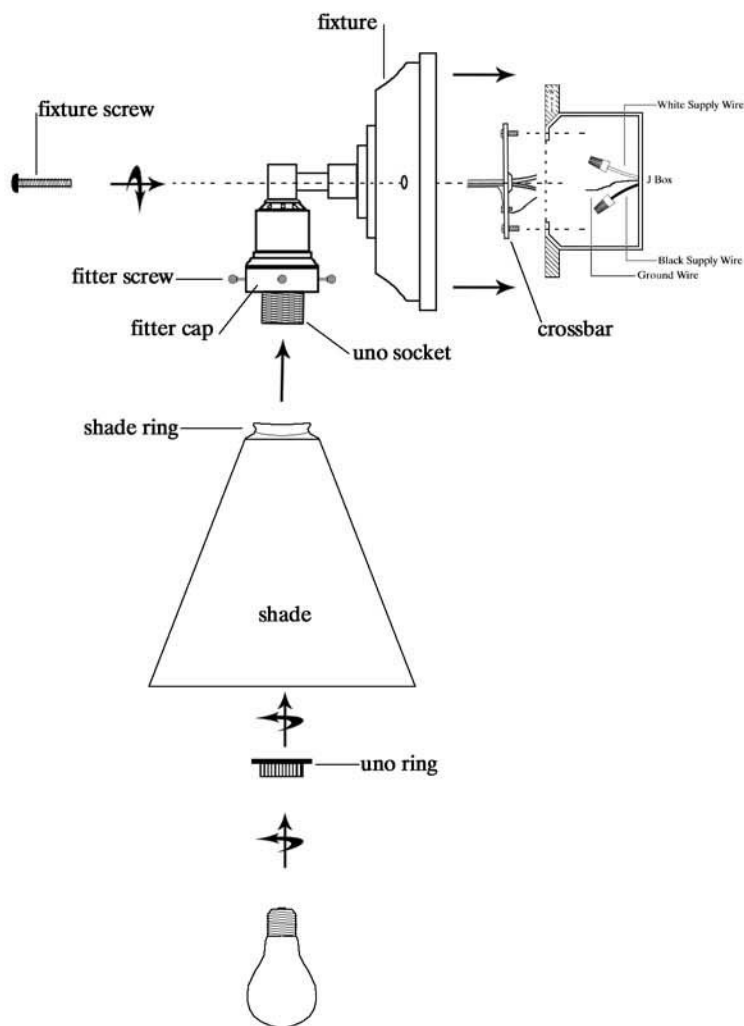


ASSEMBLY INSTRUCTIONS FOR #24274 (SX1)

IMPORTANT
TURN OFF THE POWER AT THE MAIN
FUSE OR CIRCUIT BREAKER BOX
BEFORE STARTING INSTALLATION

CAREFULLY UNPACK AND IDENTIFY ALL
PARTS BEFORE ASSEMBLY. BULBS ARE
NOT INCLUDED

1. Screw crossbar to j-box.
2. Wire as per local electrical code.
3. Screw fixture to crossbar with fixture screws.
4. Loosen fitter screws (Do Not Remove) so shade ring will fit into fitter cap.
5. Place shade into fitter ring.
6. Screw uno ring onto uno socket and tighten to shade.
7. Screw fitter screw in and tighten to shade ring.



"A Commitment to Excellence in Lighting and Service"

CALL OUR CUSTOMER SERVICE DEPARTMENT AT 1-800-222-4009

MONDAY - FRIDAY 8:00 a.m. - 6:00 p.m. ET

visit us on the web at www.meyda.com

CUSTOMER NAME:

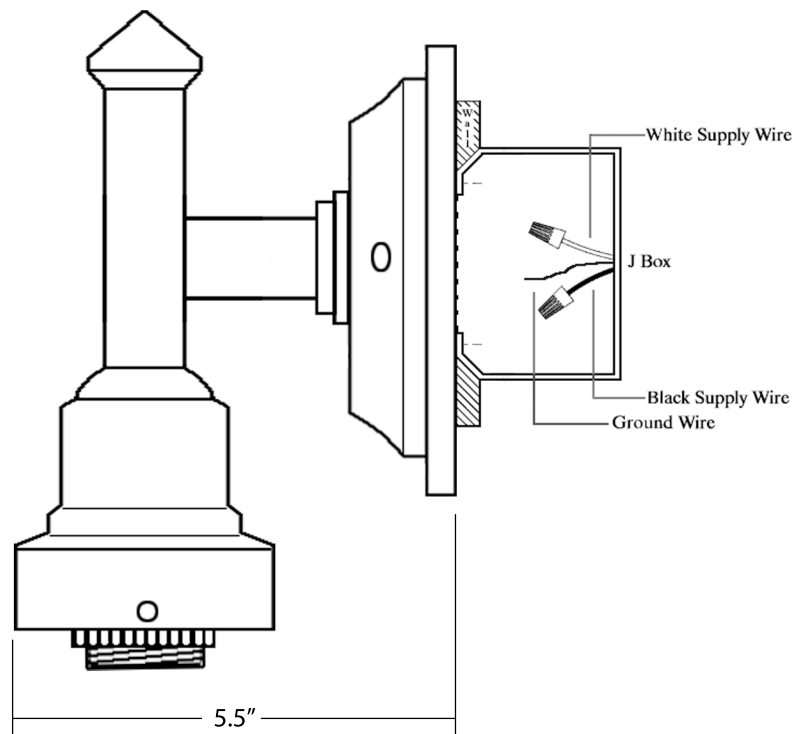
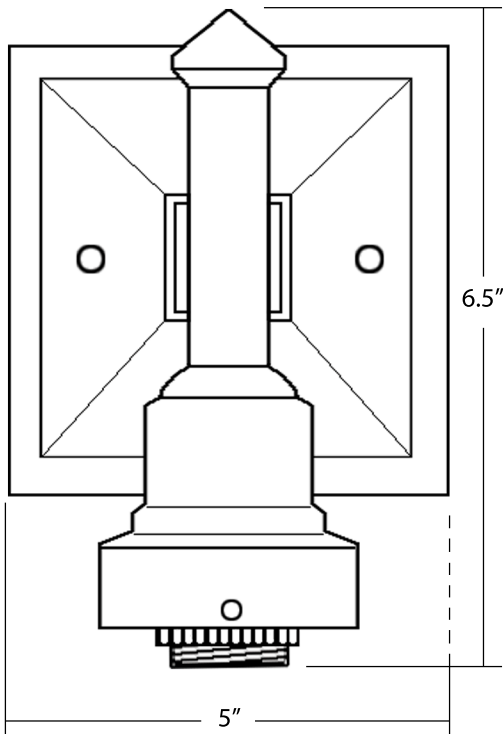
CUSTOMER #:

CUSTOMER PROPOSAL/CUT SHEET



"A Commitment to Excellence in Lighting and Service"

CALL OUR CUSTOMER SERVICE DEPARTMENT AT 1-800-222-4009
 MONDAY - FRIDAY 8:00 a.m. - 6:00 p.m. ET
 visit us on the web at www.meyda.com



© MEYDA TIFFANY, INC. © DESIGN COPYRIGHT, MEYDA TIFFANY, INC. ALL RIGHTS RESERVED, NO UNAUTHORIZED DUPLICATION



ITEM# 24274	BULB# 1	LOCATION
DESIGN# SX1	TYPE MEDIUM BASE	
FIXTURE TYPE WALL SCONCE	WATT 60	DIMENSIONS/NOTES
LENS/GLASS COLOR	VOLTAGE 120	
FINISH MAHOGANY BRONZE	MATERIAL ZINC	WEIGHT