

CUSTOMER NAME:

CUSTOMER #:

CUSTOMER PROPOSAL/CUT SHEET

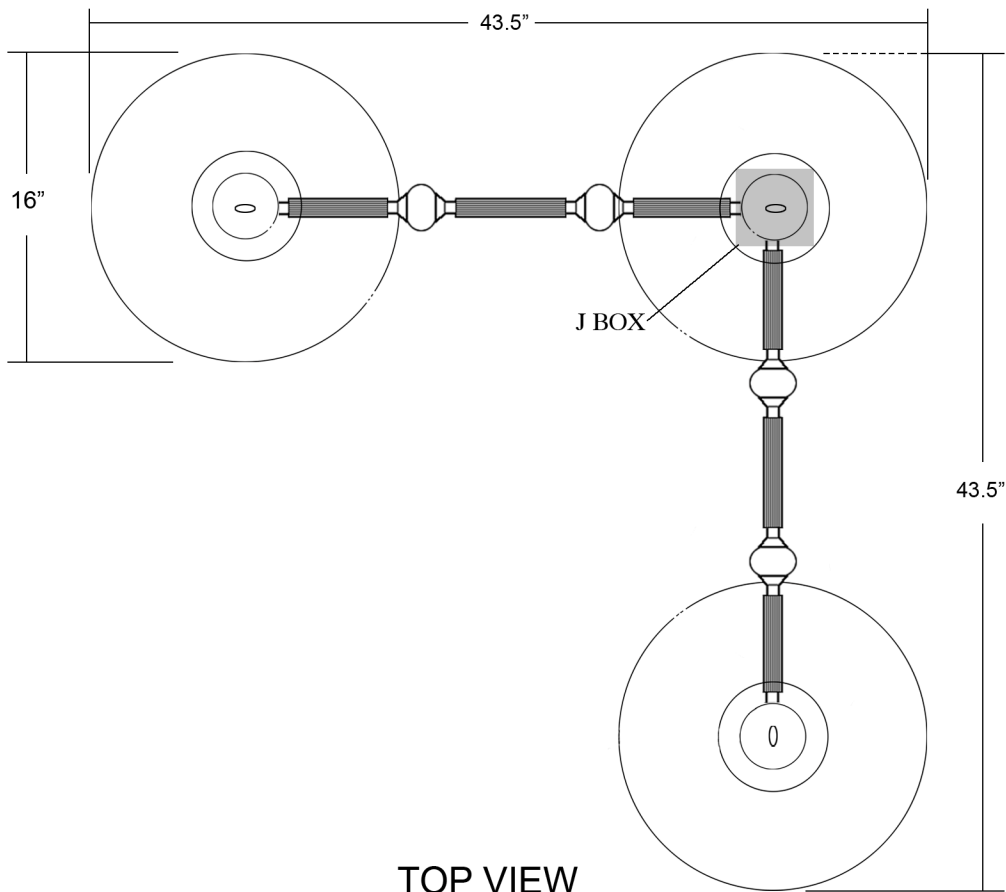
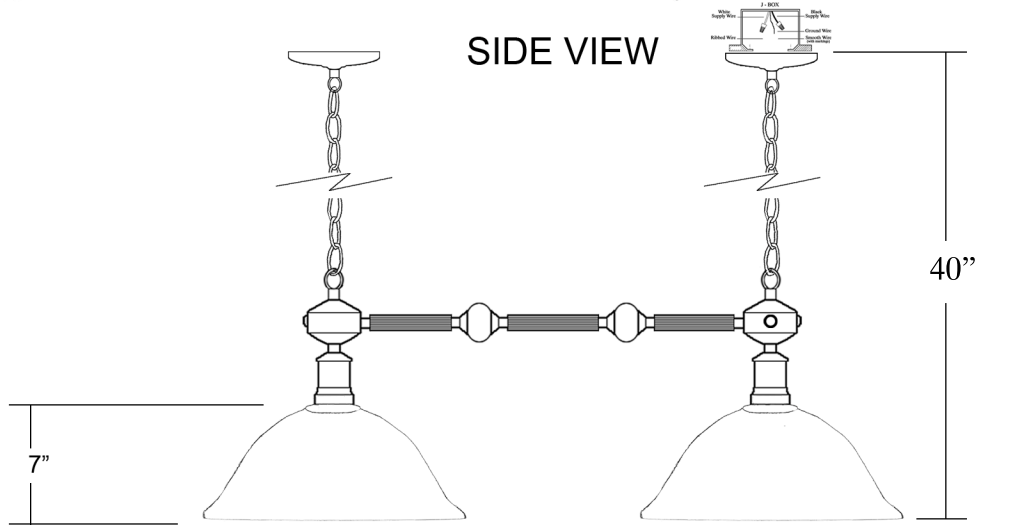


"A Commitment to Excellence in Lighting and Service"

CALL OUR CUSTOMER SERVICE DEPARTMENT AT 1-800-222-4009

MONDAY - FRIDAY 8:00 a.m. - 6:00 p.m. ET

visit us on the web at www.meyda.com



TOP VIEW



© MEYDA TIFFANY, INC. © DESIGN COPYRIGHT, MEYDA TIFFANY, INC. ALL RIGHTS RESERVED. NO UNAUTHORIZED DUPLICATION



ITEM# 128708	BULB# 3	LOCATION
DESIGN# M54/3.L-16 TR844-16R-1	TYPE MEDIUM BASE	
FIXTURE TYPE 3 LIGHT PENDANT	WATT 100	DIMENSIONS/NOTES
LENS/GLASS COLOR BEIGE, GREEN, ROOT BEER	VOLTAGE 120	
FINISH MAHOGANY BRONZE	MATERIAL BRASS, ZINC, GLASS	WEIGHT