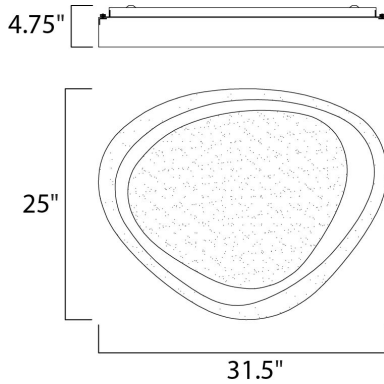




PRODUCT DESCRIPTION

Soft rounded frames of steel, available in your choice of White or Bronze, are intelligently illuminated by state of the art LED modules, which are dimmable. A two layer bottom allows a splash of light for highlight.





MEASUREMENTS

DIMENSION : 31.5" L x 25" W x 4.75" H
 HANGING WEIGHT : 24.2 lb

LAMPING

INPUT VOLTAGE : 120V
 LUMENS : 3,780 Rated
 BULB : 1 x 54W LED PCB Integrated , 54W Total
 BULB INCLUDED : (Integrated)
 DIMMABLE : Triac CL
 CRI : 80+ CRI
 COLOR_TEMP : 3000K

FINISHES OPTION

-  Bronze
-  White

GLASS

White WT

RATINGS

Dry Location



ADDITIONAL

OPERATING TEMPERATURE:
 -20°C (-4°F), 40°C (104°F)

Always consult a qualified electrician before installing any lighting product.



WESTERN DISTRIBUTION CENTER (HEADQUARTER)
 253 NORTH VINELAND AVE | CITY OF INDUSTRY, CA 91746

EASTERN DISTRIBUTION CENTER
 4200 SHIRLEY DR. | ATLANTA, GA 30336

P. 626.956.4200 | F. 626.956.4225 | maxilighting.com