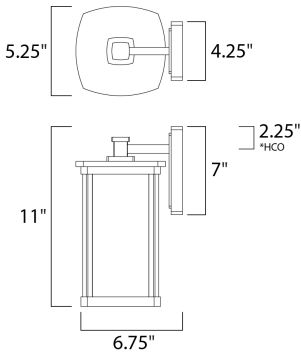




**PRODUCT DESCRIPTION**



\*height from center of outlet to the top of the fixture

**MEASUREMENTS**

DIMENSION : 5.25" W x 11." H x 6.75" Ext  
 BACK PLATE : 4.25" W x 7." H x 2.25" HCO  
 HANGING WEIGHT : 3.6 lb

**LAMPING**

INPUT VOLTAGE : 120V  
 LUMENS : 455 Rated  
 BULB : 1 x 9W (INCLUDED), 9W Total  
 CRI : 90+ CRI  
 COLOR\_TEMP : 3000K

**FINISHES OPTION**

Bronze BZ



**GLASS**

Seedy/Wilshire CDWS

**MATERIAL**

Die Cast Aluminum

**RATINGS**

Wet Location  
 CA Title 24



**ADDITIONAL**

INSTALL UP/DOWN:  
 INCANDESCENT WATTS:  
 RATED LIFE 25000 Hours  
 OPERATING TEMPERATURE:  
 -20°C (-4°F), 40°C (104°F)

Always consult a qualified electrician before installing any lighting product.



**WESTERN DISTRIBUTION CENTER (HEADQUARTER)**  
 253 NORTH VINELAND AVE | CITY OF INDUSTRY, CA 91746

**EASTERN DISTRIBUTION CENTER**  
 4200 SHIRLEY DR. | ATLANTA, GA 30336

P. 626.956.4200 | F. 626.956.4225 | maximlighting.com