



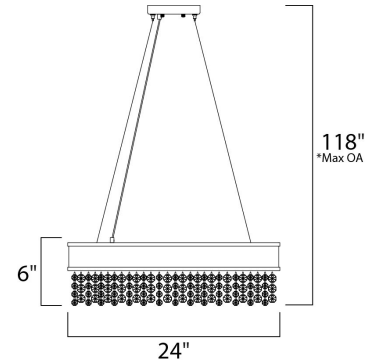
Lighting Your Life Since 1970

Product Specifications - 39655SHBZ

Job Name:	Job Type:
Quantity:	Comments:



39655SHBZ
Mystic 16-Light Pendant



Finish
Bronze

Glass/Shade
Scotch Crystal

Product Category
Single Pendant

Lamping

Number of Bulbs	16
Light Type	LED
Bulb Type	LED
Max Bulb Wattage	2.8
Max Fixture Wattage	44.8
Rated Life	
Rated Lumens	±3,136
Color Temp	±3,000 K
Bulb(s)	Included
Light Up/Down	N/A
Beam Spread	N/A
CRI	80
Photo Cell Included	N/A
Ballast/Driver/Transformer	Yes

Measurements

Width	24.00"
Height	6.00"
Length	N/A
Extension	N/A
Back Plate Width	N/A
Back Plate Height	N/A
HCO	N/A
Min Overall Height	0.00"
Max Overall Height	N/A
Hanging Weight	6.82 lbs
Height Adjustable	N/A
Slope	N/A
Chain Length	N/A
Wire Length	178"
Canopy Width	7.08"
Canopy Height	1.57"
Canopy Length	7.08"

Shipping

Carton Weight	8.02 lbs
Carton Width	27"
Carton Height	7"
Carton Length	27"
Carton Cubic Feet	3.03
Master Pack	1
Master Pack Weight	N/A
Master Pack Width	N/A
Master Pack Height	N/A
Master Pack Length	N/A
Master Cubic Feet	N/A
UPS Shippable	Yes

Dimmable Standard/Lutron® CL or Leviton® LED Recommended

Certification

Safety Rating	Dry
Energy Star	No
CA Title 24	No
CA Title 20	No
ADA	No
Dark Sky	N/A

Other

UPC Code	783209122970
Shades Included	N/A
Crystals Included	N/A
Diffuser Included	N/A
Conversion Kit	N/A
Material	Metal+Crystal

Equivalents

Incandescent Watts	N/A
Fluorescent Watts	N/A

Maxim Lighting International and all designs, logos and images © 2016 Maxim Lighting International. All Rights Reserved. Maxim Lighting International reserves the right, at any time, to make changes in the design and/or construction of the product including the discontinuation of product without prior notice. Color may vary from what is pictured above due to limitations inherent to photographic processes.

Always consult a qualified, licensed electrician before installation of any product weighing 35 pounds or more. We recommend that a qualified, licensed electrician do the installation. Always install to a mechanically sound structure.