



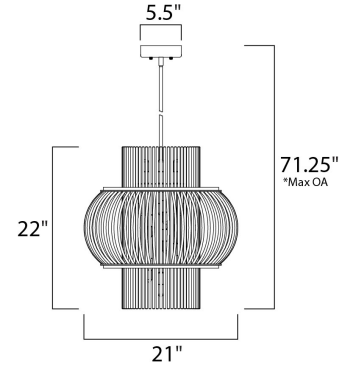
Lighting Your Life Since 1970

Product Specifications - 38386CLAR

Job Name:	Job Type:
Quantity:	Comments:



**38386CLAR**  
Aviary LED 13-Light Pendant



**Finish**  
Anthracite

**Glass/Shade**  
Clear

**Product Category**  
Single Pendant

**Lamping**

Number of Bulbs	13
Light Type	LED
Bulb Type	G9
Max Bulb Wattage	3
Max Fixture Wattage	39
Rated Life	
Rated Lumens	±2,730
Color Temp	±3,500 K
Bulb(s)	Included
Light Up/Down	N/A
Beam Spread	N/A
CRI	80+
Photo Cell Included	N/A
Ballast/Driver/Transformer	No
Dimmable	N/A

**Measurements**

Width	21.00"
Height	22.00"
Length	21.00"
Extension	N/A
Back Plate Width	N/A
Back Plate Height	N/A
HCO	N/A
Min Overall Height	23.38"
Max Overall Height	71.21"
Hanging Weight	33.00 lbs
Height Adjustable	Yes
Slope	N/A
Chain Length	N/A
Wire Length	120"
Canopy Width	5.51"
Canopy Height	1.38"
Canopy Length	5.51"

**Shipping**

Carton Weight	38.50 lbs
Carton Width	13"
Carton Height	5"
Carton Length	26"
Carton Cubic Feet	0.96
Master Pack	1
Master Pack Weight	N/A
Master Pack Width	N/A
Master Pack Height	N/A
Master Pack Length	N/A
Master Cubic Feet	N/A
UPS Shippable	Yes

**Certification**

Safety Rating	Dry
Energy Star	No
CA Title 24	No
CA Title 20	No
ADA	No
Dark Sky	N/A

**Other**

UPC Code	783209121560
Shades Included	N/A
Crystals Included	N/A
Diffuser Included	N/A
Conversion Kit	N/A
Material	Steel+Glass

**Equivalents**

Incandescent Watts	N/A
Fluorescent Watts	N/A

Maxim Lighting International and all designs, logos and images © 2016 Maxim Lighting International. All Rights Reserved. Maxim Lighting International reserves the right, at any time, to make changes in the design and/or construction of the product including the discontinuation of product without prior notice. Color may vary from what is pictured above due to limitations inherent to photographic processes.

Always consult a qualified, licensed electrician before installation of any product weighing 35 pounds or more. We recommend that a qualified, licensed electrician do the installation. Always install to a mechanically sound structure.