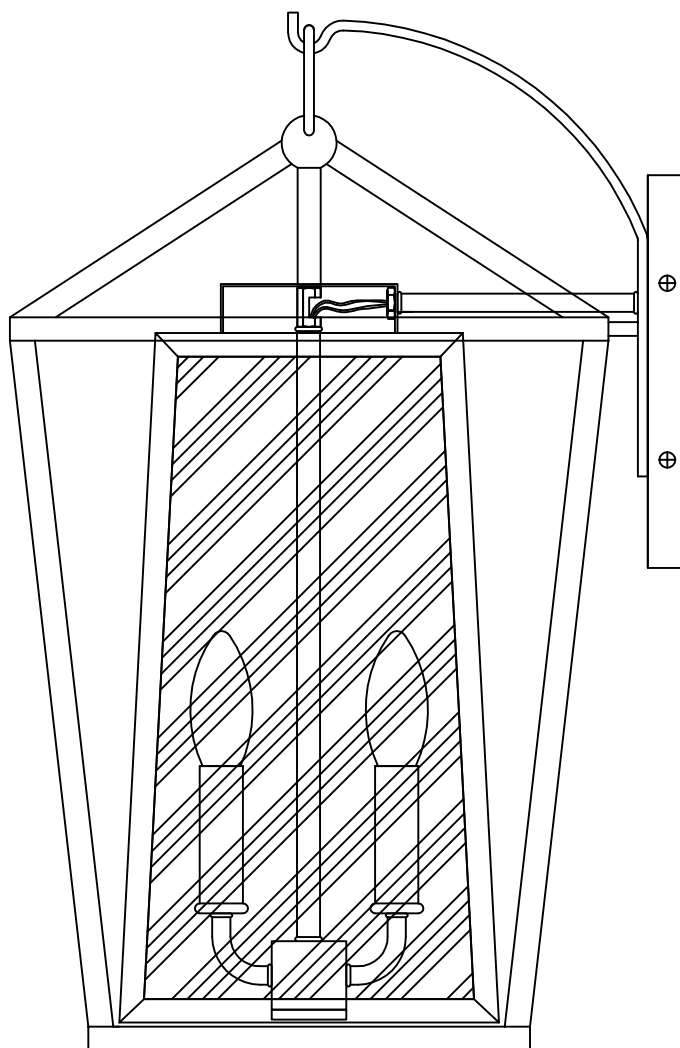




PRODUCT NAME: Artisan 3LT Outdoor Wall Sconce
NUMBER: 3176CLBK

Please consult your electrician for Hang fixture and wiring.



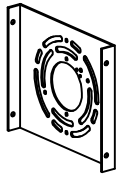
Warnings: Caulk around back plate where it meets the wall using outdoor silicone sealant.

Bulb(not included) :3*CA 40W

MADE IN CHINA

Page 1 of (2)

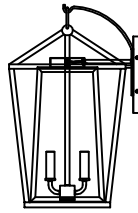
IMPORTANT: Turn off power at the main fuse or circuit breaker box before starting installation



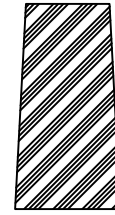
(A) Bracket



(B) Screw

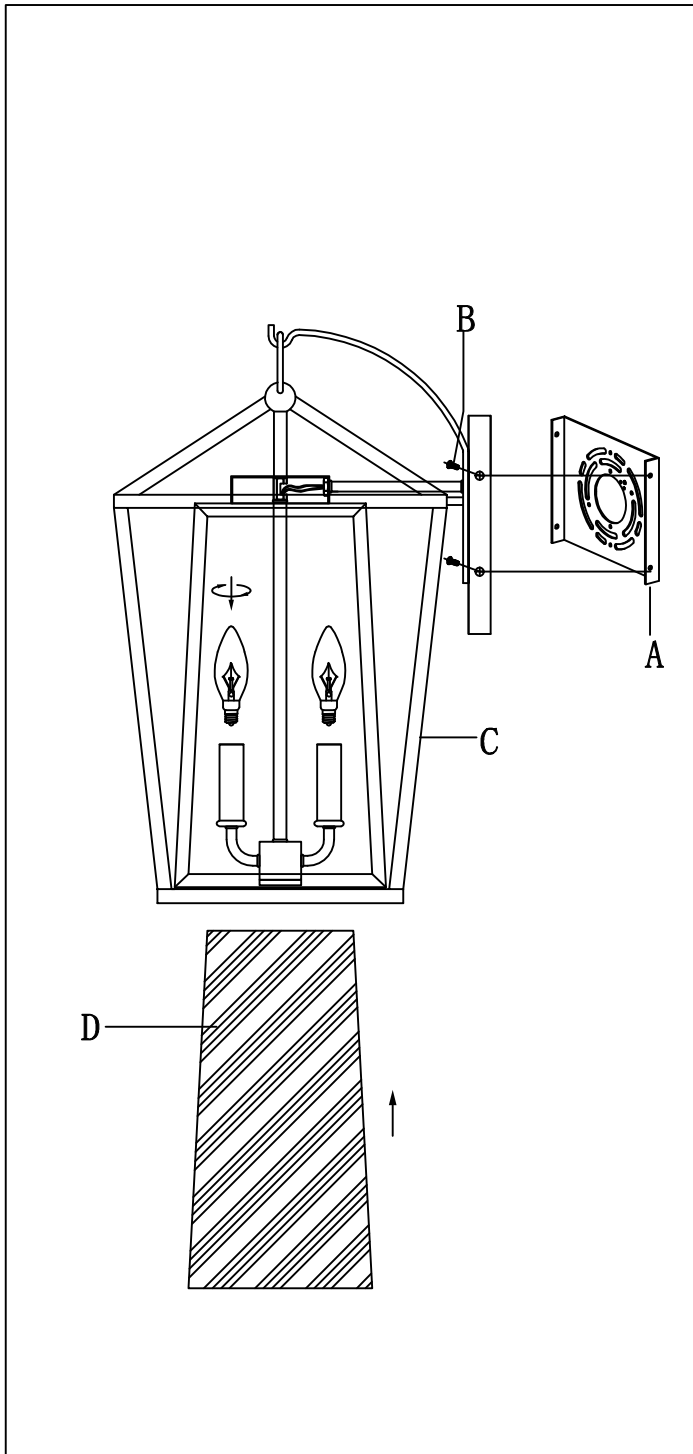


(C) Body

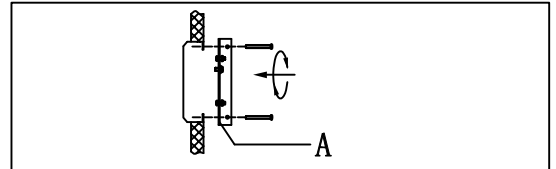


(D) glass

Locate all hardware & components before discarding packaging

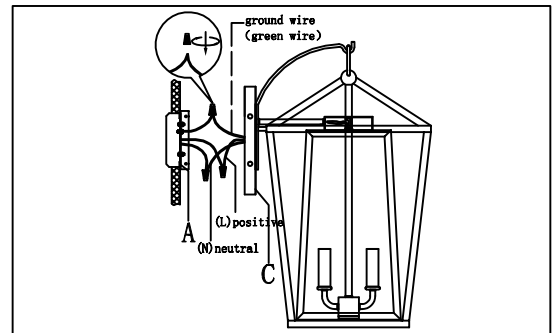


1.)



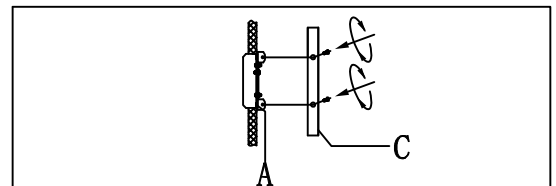
Step. 1: Remove mounting bracket (A) from fixture and install to electrical box.

2.)



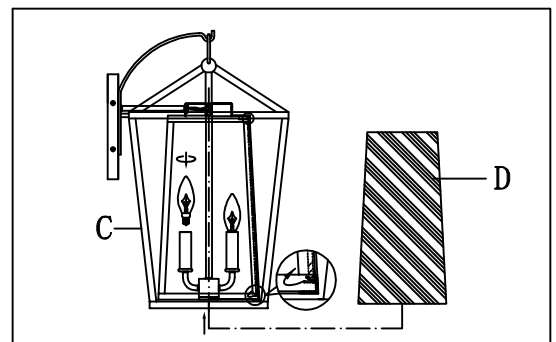
Step. 2: Wire fixture to wires in outlet box. Copper/Green wire is for Ground.

3.)



Step. 3: Install fixture to bracket (A) and tighten screw (B) on the back plate to secure.

4.)



Step. 4: Install the bulb. Then wearing glove, put glass (D) inside the frame and use steel clips on frame to secure the glass.

Cleaning & Care:

Clean with soft cloth and a mild detergent.
Do not use abrasive cleaner.