



**PRODUCT DESCRIPTION**

This frame inside a frame design is the perfect update to this classically inspired outdoor lantern. Durable stainless steel construction is finished in Black and supports an inner frame of Clear panels of glass for a crisp and clean appearance.

**FINISHES OPTION**

 Black

**GLASS**

Clear CL

**MATERIAL**

Stainless Steel

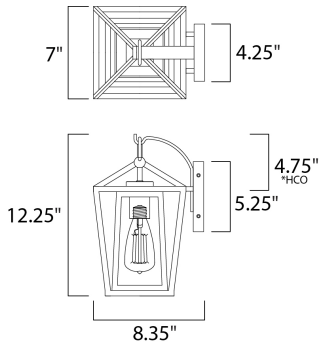
**RATINGS**

cETLus  
Wet Location



**ADDITIONAL**

OPERATING TEMPERATURE:  
-20°C (-4°F), 40°C (104°F)



**MEASUREMENTS**

DIMENSION : 7" W x 12.25" H x 8.35" Ext  
 BACK PLATE : 4.25" W x 5.25" H x 4.75" HCO  
 HANGING WEIGHT : 4.4 lb

**LAMPING**

INPUT VOLTAGE : 120V  
 LUMENS : 0 Rated  
 BULB : 1 x 60W Incandescent E26 Medium , 60W Total  
 BULB INCLUDED : (Not Included)  
 DIMMABLE : Yes  
 LIGHTING\_DIRECTION : Down

\*height from center of outlet to the top of the fixture

Always consult a qualified electrician before installing any lighting product.



**WESTERN DISTRIBUTION CENTER (HEADQUARTER)**  
 253 NORTH VINELAND AVE | CITY OF INDUSTRY, CA 91746  
**EASTERN DISTRIBUTION CENTER**  
 4200 SHIRLEY DR. | ATLANTA, GA 30336  
 P. 626.956.4200 | F. 626.956.4225 | maximlighting.com