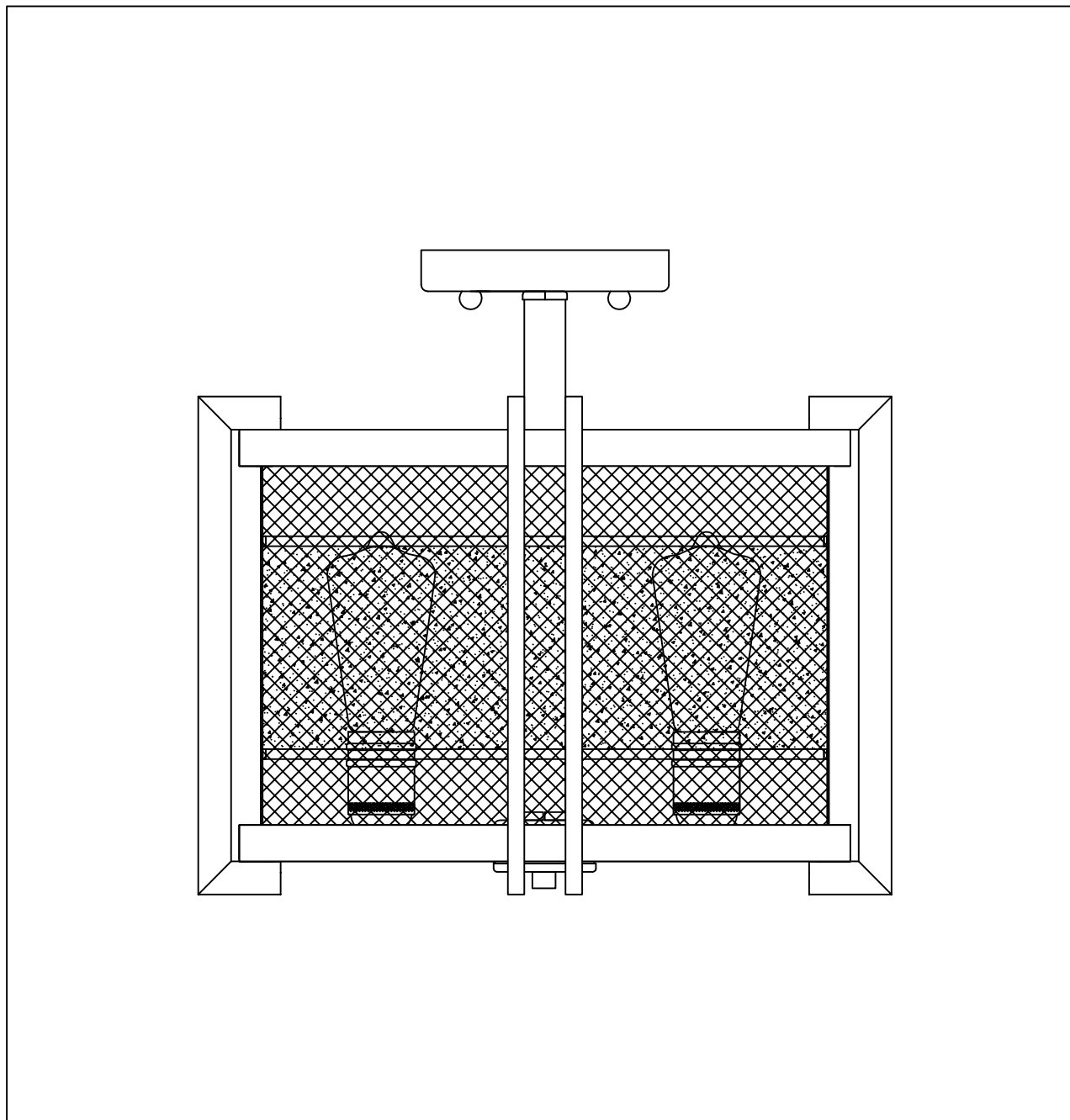




PRODUCT NAME: Boundry 3LT Flush Mount
NUMBER: 27560BKBWAB

Please consult your electrician for Hang fixture and wiring.



Bulb(not included) :3*MB 60W

MADE IN CHINA

Page 1 of (3)

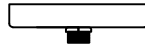
IMPORTANT: Turn off power at the main fuse or circuit breaker box before starting installation



(A) Bracket



(B) Ball nut

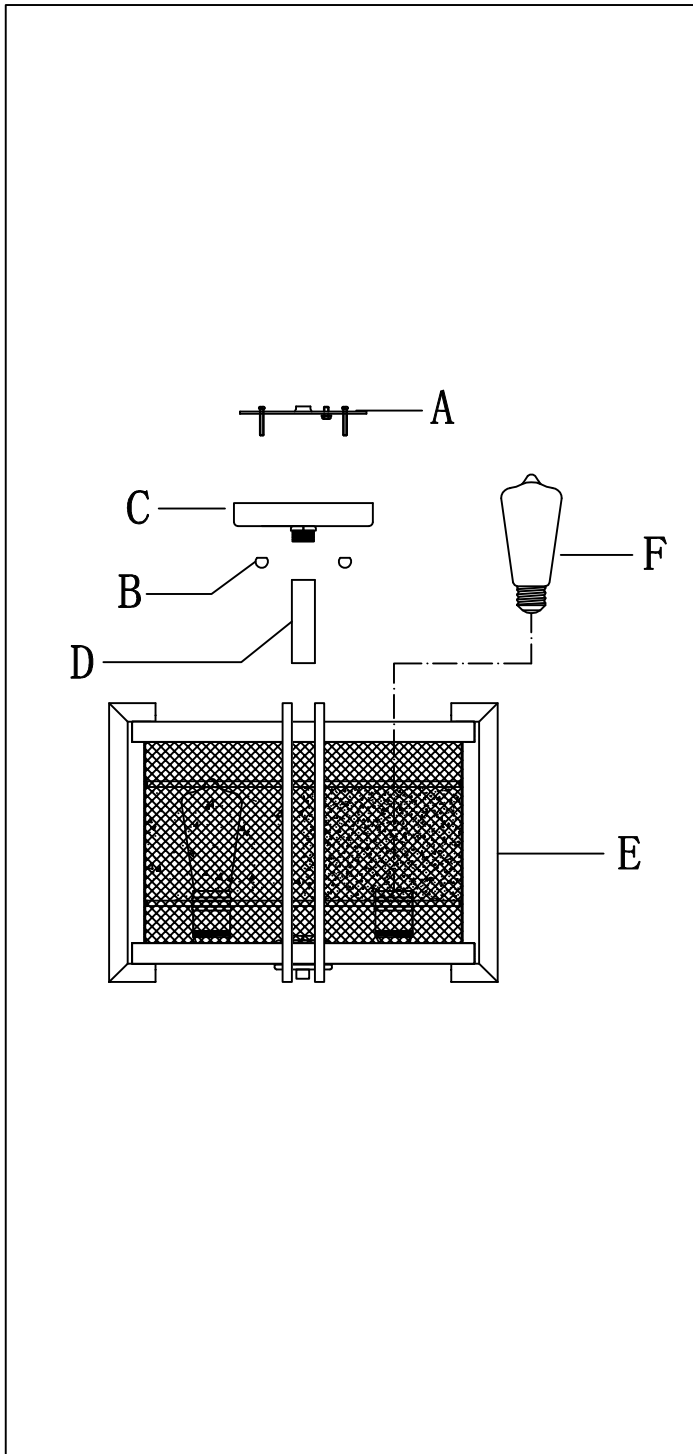


(C) Canopy

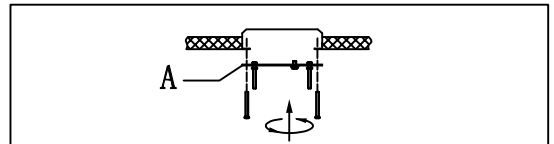


(D) Center Stems

Locate all hardware & components before discarding packaging

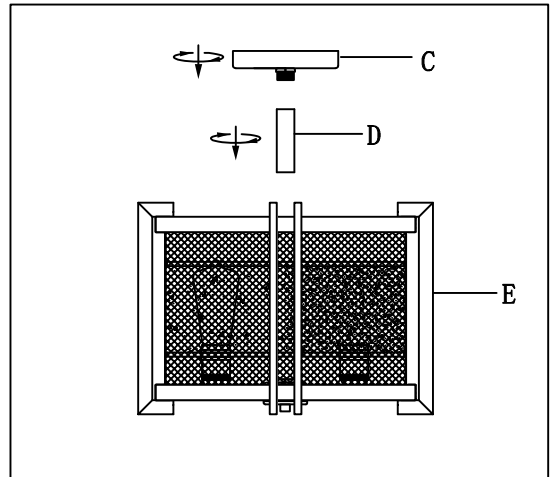


1.)



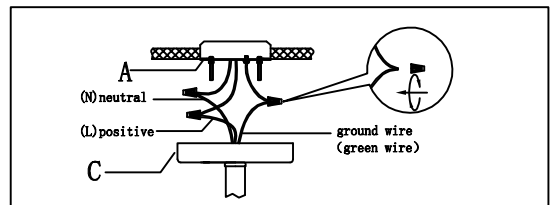
Step. 1: Remove mounting bracket (A) from fixture and install to electrical box.

2.)



Step. 2: Srew center stem (H) and Canopy (C) on the body (E).

3.)

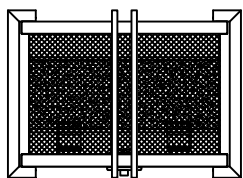


Step. 3: Wire fixture to wires in outlet box. Copper/Green wire is for Ground.

Cleaning & Care:

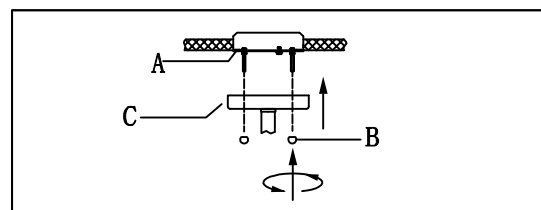
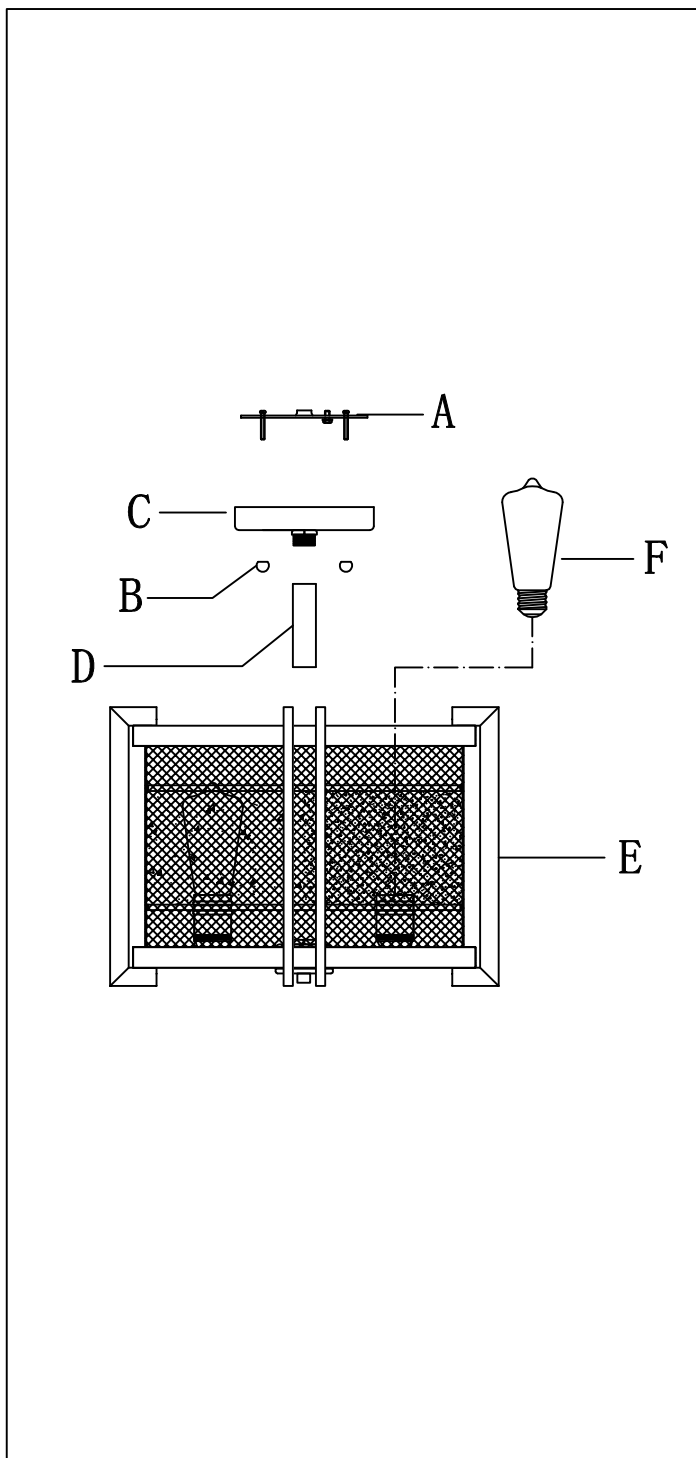
Clean with soft cloth and a mild detergent.
Do not use abrasive cleaner.

IMPORTANT: Turn off power at the main fuse or circuit breaker box before starting installation

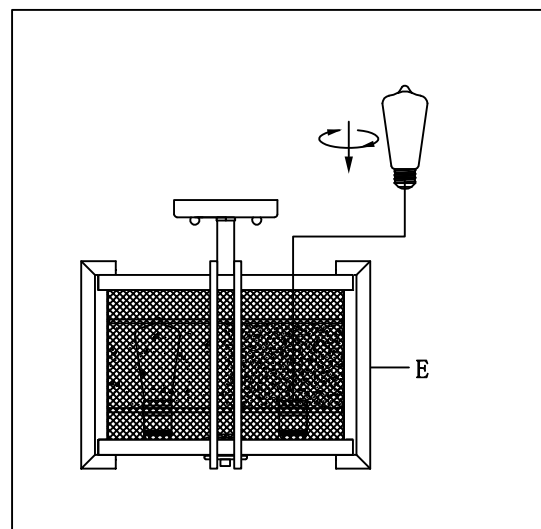


(E) Body

Locate all hardware & components before discarding packaging



4.)
Step. 4: Install fixture to bracket and tighten ball nuts (B) on the canopy to secure.



5.)
Step. 5: Install the bulb.

Cleaning & Care:

Clean with soft cloth and a mild detergent.
Do not use abrasive cleaner.