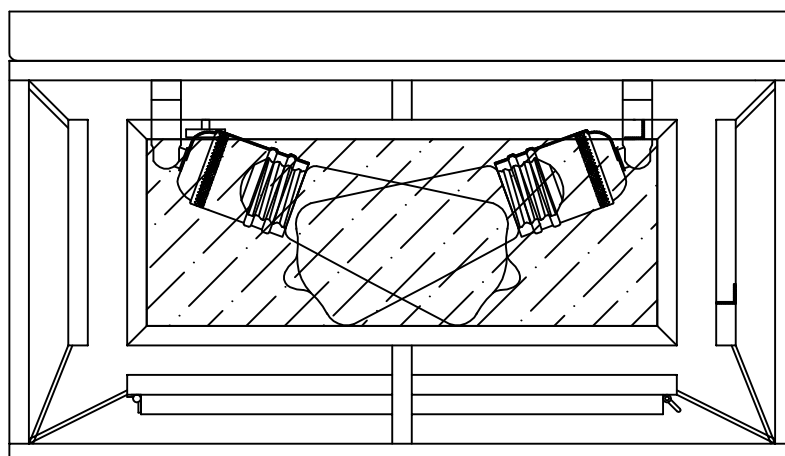




PRODUCT NAME: ERA
ITEM NUMBER: 21670

Please consult your electrician for hanging fixture and wiring.



Bulb(not included) :2 Edison-style bulbs recommended

**PRODUCTS ARE NOT INENDED
FOR COMMERCIAL USE.**

MADE IN CHINA
Page 1 of (3)

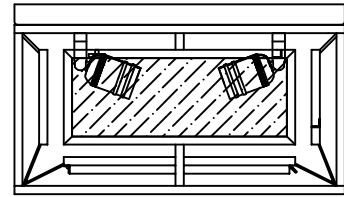
IMPORTANT: Turn off power at the main fuse or circuit breaker box before starting installation



(A) Bracket



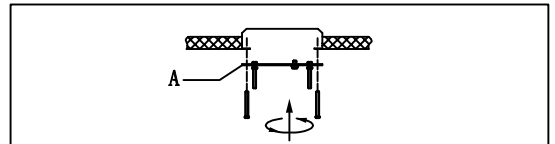
(B) Ball nut



(C) Body

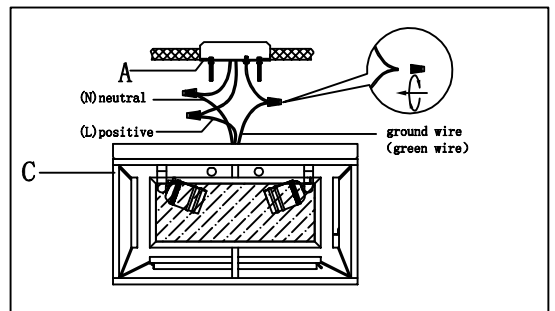
Locate all hardware & components before discarding packaging

1.)



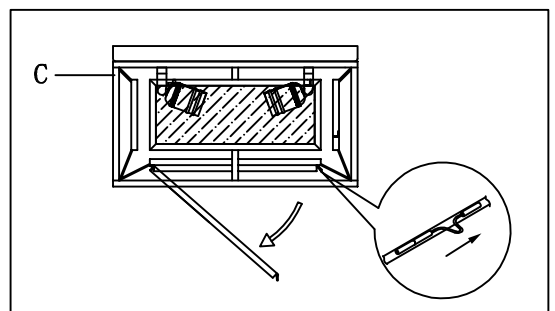
Step. 1: Remove mounting bracket(A) from fixture and install to electrical box.

2.)



Step. 2: Wire fixture to wires in outlet box. Copper/Green wire is for Ground.

3.)



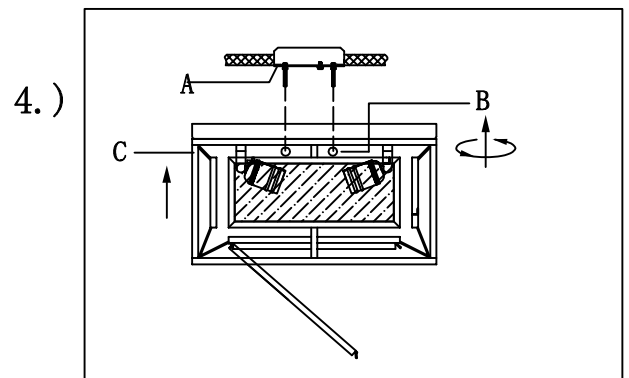
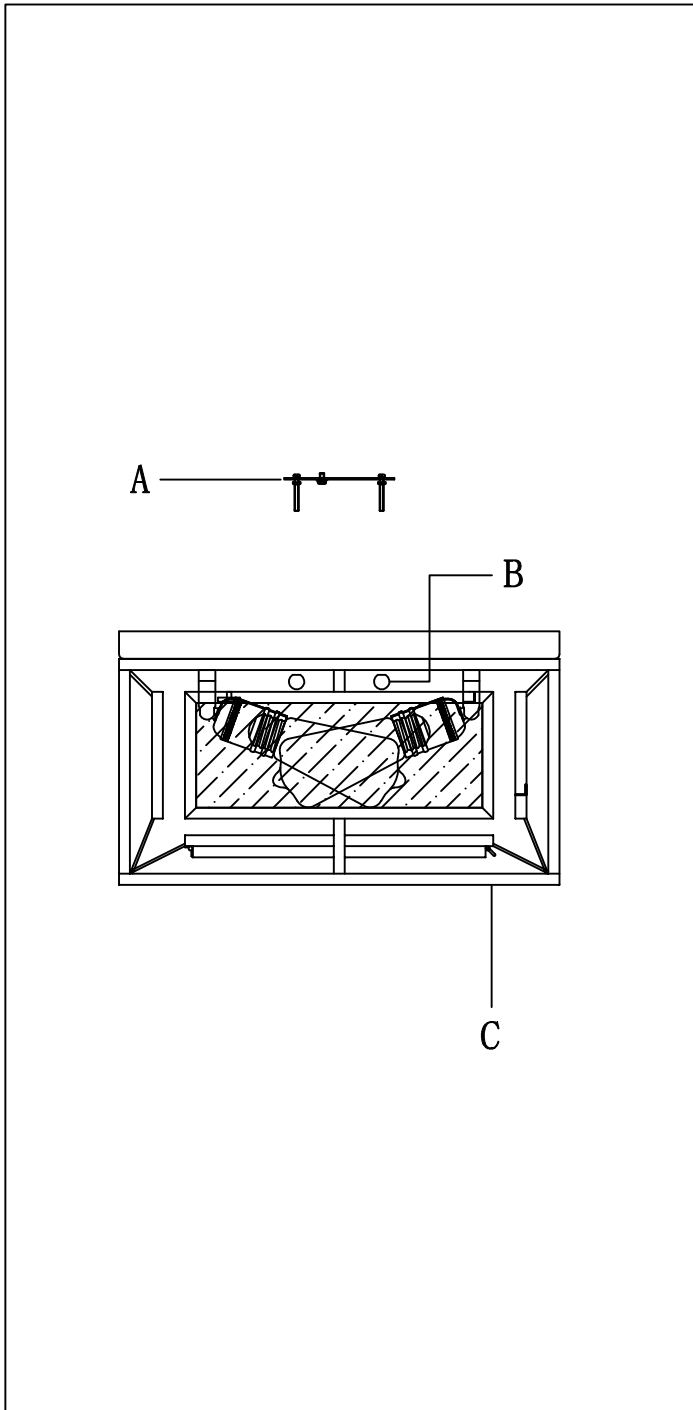
Step. 3: Pull the latch which at bottom.

Cleaning & Care:

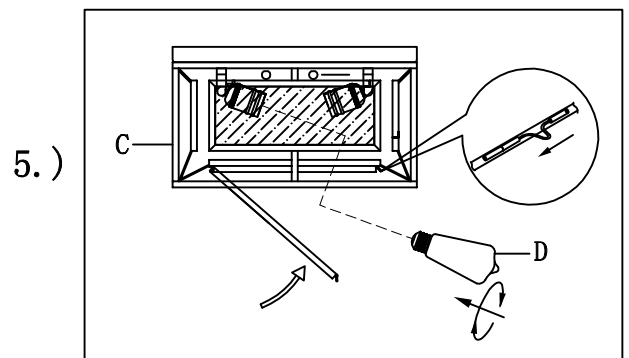
Clean with soft cloth and a mild detergent.
Do not use abrasive cleaner.

IMPORTANT: Turn off power at the main fuse or circuit breaker box before starting installation

Locate all hardware & components before discarding packaging



Step. 4: Install fixture to bracket and tighten ball nuts (B) on the backplate to secure.



Step. 5: Install medium base E26 bulbs to sockets and close latch.

Cleaning & Care:

Clean with soft cloth and a mild detergent.
Do not use abrasive cleaner.