



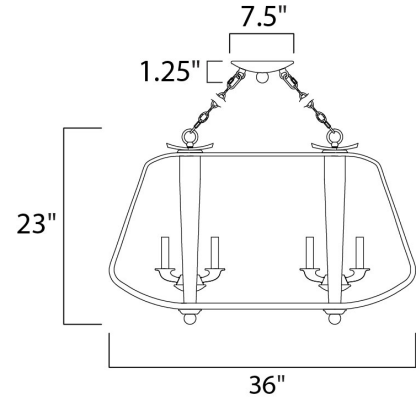
Lighting Your Life Since 1970

Product Specifications - 20927BWIO

Job Name:	Job Type:
Quantity:	Comments:



**20927BWIO**  
Road House 6-Light Chandelier



**Finish**  
Barn Wood/Iron Ore

**Glass/Shade**

**Product Category**  
Linear Pendant

**Lamping**

Number of Bulbs	6
Light Type	Incandescent
Bulb Type	CA
Max Bulb Wattage	40
Max Fixture Wattage	240
Rated Life	
Rated Lumens	±0
Color Temp	
Bulb(s)	Not Included
Light Up/Down	N/A
Beam Spread	N/A
CRI	N/A
Photo Cell Included	N/A
Ballast/Driver/Transformer	No
Dimmable	Standard

**Measurements**

Width	36.00"
Height	23.00"
Length	19.00"
Extension	N/A
Back Plate Width	N/A
Back Plate Height	N/A
HCO	N/A
Min Overall Height	31.13"
Max Overall Height	63.13"
Hanging Weight	18.08 lbs
Height Adjustable	N/A
Slope	N/A
Chain Length	36"
Wire Length	120"
Canopy Width	7.50"
Canopy Height	1.38"
Canopy Length	7.50"

**Shipping**

Carton Weight	0.00 lbs
Carton Width	22"
Carton Height	25"
Carton Length	40"
Carton Cubic Feet	12.48
Master Pack	0
Master Pack Weight	N/A
Master Pack Width	N/A
Master Pack Height	N/A
Master Pack Length	N/A
Master Cubic Feet	N/A
UPS Shippable	Oversize

**Certification**

Safety Rating	Dry
Energy Star	No
CA Title 24	No
CA Title 20	No
ADA	No
Dark Sky	N/A

**Other**

UPC Code	783209124820
Shades Included	N/A
Crystals Included	N/A
Diffuser Included	N/A
Conversion Kit	N/A
Material	Wood+Steel+Alum Cast

**Equivalents**

Incandescent Watts	N/A
Fluorescent Watts	N/A

Maxim Lighting International and all designs, logos and images © 2016 Maxim Lighting International. All Rights Reserved. Maxim Lighting International reserves the right, at any time, to make changes in the design and/or construction of the product including the discontinuation of product without prior notice. Color may vary from what is pictured above due to limitations inherent to photographic processes.

Always consult a qualified, licensed electrician before installation of any product weighing 35 pounds or more. We recommend that a qualified, licensed electrician do the installation. Always install to a mechanically sound structure.