



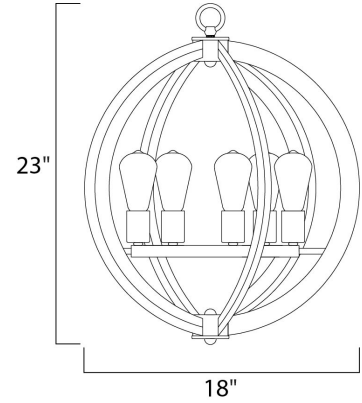
Lighting Your Life Since 1970

Product Specifications - 20917APAR

Job Name:	Job Type:
Quantity:	Comments:



20917APAR
Bodega Bay 5-Light Chandelier



Finish
Anthracite

Glass/Shade

Product Category
Single-Tier Chandelier

Lamping

Number of Bulbs	5
Light Type	Incandescent
Bulb Type	MB
Max Bulb Wattage	60
Max Fixture Wattage	300
Rated Life	
Rated Lumens	±0
Color Temp	
Bulb(s)	Not Included
Light Up/Down	N/A
Beam Spread	N/A
CRI	N/A
Photo Cell Included	N/A
Ballast/Driver/Transformer	No
Dimmable	N/A

Measurements

Width	18.00"
Height	23.00"
Length	N/A
Extension	N/A
Back Plate Width	N/A
Back Plate Height	N/A
HCO	N/A
Min Overall Height	0.00"
Max Overall Height	65.00"
Hanging Weight	11.66 lbs
Height Adjustable	N/A
Slope	N/A
Chain Length	36"
Wire Length	180"
Canopy Width	N/A
Canopy Height	N/A
Canopy Length	N/A

Shipping

Carton Weight	19.03 lbs
Carton Width	21"
Carton Height	24"
Carton Length	22"
Carton Cubic Feet	6.62
Master Pack	1
Master Pack Weight	N/A
Master Pack Width	N/A
Master Pack Height	N/A
Master Pack Length	N/A
Master Cubic Feet	N/A
UPS Shippable	Yes

Certification

Safety Rating	
Energy Star	No
CA Title 24	No
CA Title 20	No
ADA	No
Dark Sky	N/A

Other

UPC Code	783209117525
Shades Included	N/A
Crystals Included	N/A
Diffuser Included	N/A
Conversion Kit	N/A
Material	N/A

Equivalents

Incandescent Watts	N/A
Fluorescent Watts	N/A

Maxim Lighting International and all designs, logos and images © 2015 Maxim Lighting International. All Rights Reserved. Maxim Lighting International reserves the right, at any time, to make changes in the design and/or construction of the product including the discontinuation of product without prior notice. Color may vary from what is pictured above due to limitations inherent to photographic processes.

Always consult a qualified, licensed electrician before installation of any product weighing 35 pounds or more. We recommend that a qualified, licensed electrician do the installation. Always install to a mechanically sound structure.