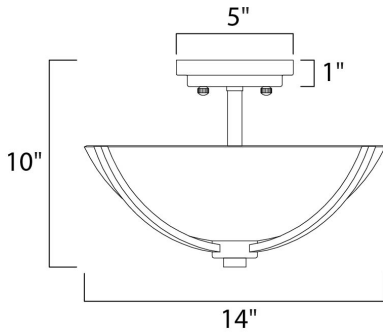




PRODUCT DESCRIPTION

Low sloping arms of rectilinear tubing is finished in a variety of options that include Satin Nickel, Oil Rubbed Bronze, Matte Black, and a contemporary Satin Brass finish. Tall, cylindrical Satin White glass shades soften the light source within. Offered in a variety of configurations that include chandeliers, sconces, and a semi-flush pendant that may be used as a foyer pendant, has become a proven popular choice among builders.







MEASUREMENTS

DIMENSION : 14" L x 14" W x 10" H
 CANOPY : 5" W x 1" H x 5" L
 HANGING WEIGHT : 3.63 lb

LAMPING

INPUT VOLTAGE : 120V
 BULB : 3 x 60W Incandescent E26 Medium , 180W Total
 BULB INCLUDED : (Not Included)
 DIMMABLE : Y

FINISHES OPTION

-  Black
-  Oil Rubbed Bronze
-  Satin Brass
-  Satin Nickel

GLASS

Satin White SW

MATERIAL

Steel, Glass

RATINGS

cETLus
 Dry Location



ADDITIONAL

SLOPE: 30
 OPERATING TEMPERATURE:
 -20°C (-4°F), 40°C (104°F)

Always consult a qualified electrician before installing any lighting product.



WESTERN DISTRIBUTION CENTER (HEADQUARTER)
 253 NORTH VINELAND AVE | CITY OF INDUSTRY, CA 91746

EASTERN DISTRIBUTION CENTER
 4200 SHIRLEY DR. | ATLANTA, GA 30336

P. 626.956.4200 | F. 626.956.4225 | maximlighting.com