

shown in Matte Black
with 52" Matte Black blades



Irene-3

Designed in 2012

The Irene-3 is rustic, yet strikingly modern with three neatly joined, solid wood matte black, matte white, walnut, gray ash, light maple or barn wood tone blades. A spherical motor housing complements its minimal profile. Irene-3 is streamline while still appearing warm and natural. Constructed of cast aluminum and heavy stamped steel, the Irene-3 has a limited lifetime warranty.

Product Features



DC
Motor



Damp
Location



Silent



Remote
Control



Wall
Control

shown in
Matte Black with 72"
Matte White blades

shown in
Textured Bronze with
52" Gray Ash blades

shown in Textured Bronze
with 42" Walnut blades

shown in
Matte Black
with 52" Barn
Wood blades

shown in Matte Black with
60" Light Maple blades

shown in Matte Black with 42"
Matte Black blades

IRENE - 3

FINISH AND BLADE OPTIONS

SKU#	SS-XXXX-XXX-XX (Model+Finish+Blade+Diameter)	
Standard Finishes	Matte Black Textured Bronze	BK TB
Blade Finishes	Barn Wood Tone Gray Ash Light Maple Matte Black Matte White Walnut Tone	BW GA LM BK MWH WA
Fan Diameter	42 inches / 107 cm 52 inches / 132 cm 60 inches / 152 cm 72 inches / 183 cm	42 52 60 72

TECHNICAL SPECS

Fan Diameter	inches: 42, 52, 60, or 72 centimeters: 107, 132, 152, or 183
Blade Material	CNC Cut Solid Wood
Overall Drop	12 inches / 30 cm + downrod length
Fan Weight	17 lbs
Downrods Lengths Field cuttable. Non- threaded	inches: 5, 10, 20, 30, 48, 72 centimeters: 13, 25, 51, 76, 122, 183
Downrod Diameter	1 inch
Voltage	110 or 220
Motor Type	AC
Environment	Damp locations for all finishes. Neither coastal, saltwater nor chlorine compatible
Ambience	Silent
Safety Certification	ETL / CETL
Warranty	Limited Lifetime

NEW JAN 21, 2020 DOE MOTOR EFFICIENCY DATA

Fan Diameter	42 inch / 107cm	52 inch / 132cm	60 inch / 152cm	72 inch / 183cm
RPM (Low / High)	52 / 231	51 / 196	52 / 160	49 / 109
CFM (Low / High)	541 / 3517	1531 / 6168	2088 / 6984	3443 / 8224
Watts (High)	17.08	32.12	31.67	32.97
CFM/Watt (High)	163	185	218	279
Blade Pitch	15°	15°	15°	16°

STANDARD EQUIPMENT

One downrod of 10 inches / 25 cm

Vaulted ceiling canopy for up to 30°

Black 6-speed RF
remote control
with reverse



White wireless
Decora-style,
6-speed, wall
control with
reverse



ACCESSORY

60° cathedral ceiling canopy

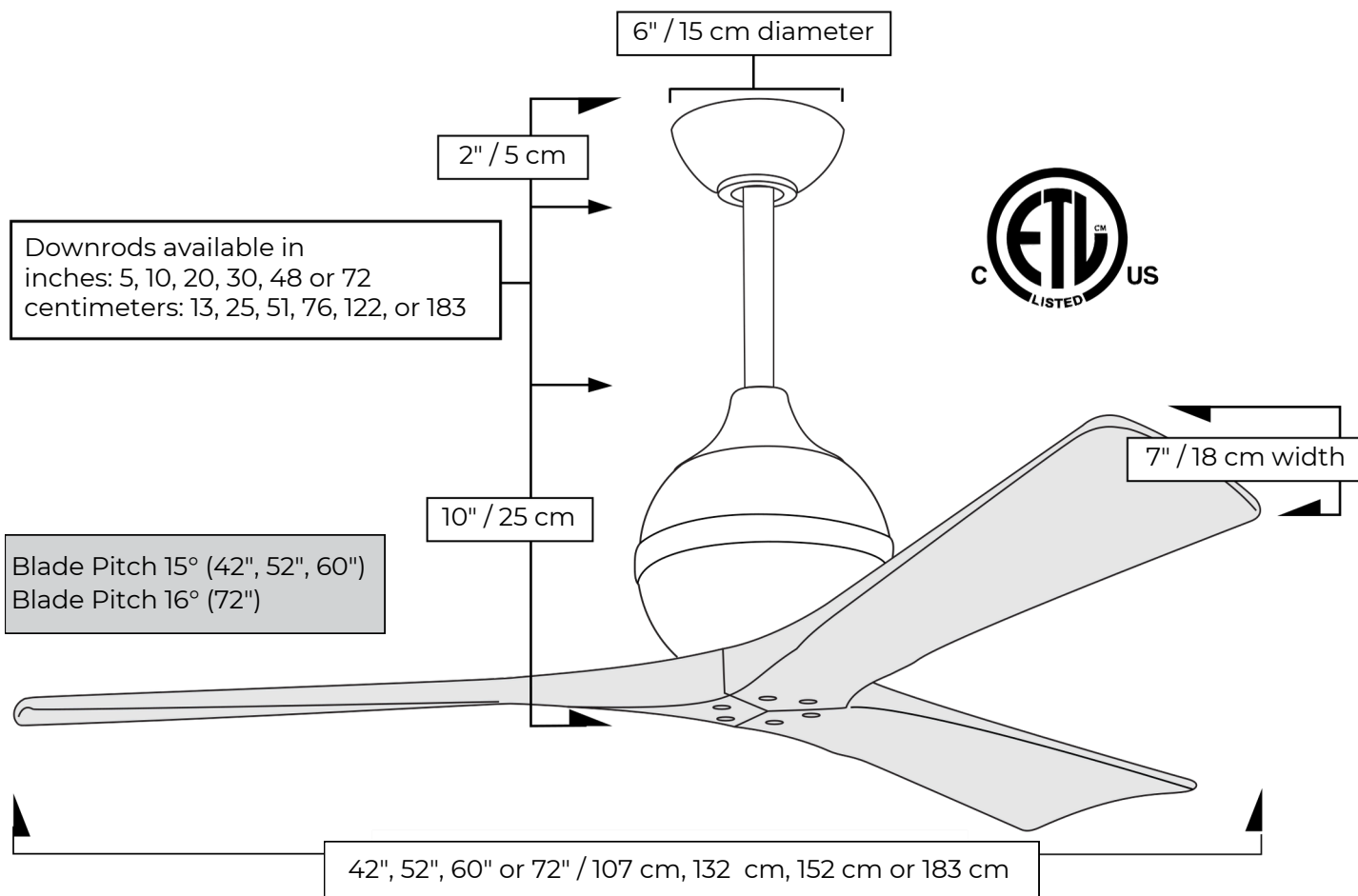
NOTE: Only compatible with included controllers.

Blade Options



Irene-3

TECHNICAL SPECIFICATIONS



CEILING PITCH TABLE	
0/12	0 degrees
1/12	4.76 degrees
2/12	9.46 degrees
3/12	14.04 degrees
4/12	18.43 degrees
5/12	22.62 degrees
6/12	26.57 degrees
7/12	30.26 degrees
8/12	33.69 degrees
9/12	36.87 degrees
10/12	39.81 degrees
11/12	42.51 degrees

CEILING HEIGHT / DOWNROD TABLE	
Ceiling Height	Downrod Lengths <i>Field cuttable. Non-threaded</i>
10 ft or less	5 inches / 13 cm <i>Use safety cages if applicable</i>
10 -12 feet	10 inches / 25 cm
13 feet	20 inches / 51 cm
14 feet	30 inches / 76 cm
15 feet	48 inches / 122 cm
16 feet +	72 inches / 183 cm