



shown in Polished Chrome  
with 60" Barn Wood blades



# Irene-5HLK

Designed in 2016

Cutting a figure like no other, the Irene-5HLK ceiling-mount fan, is rustic, yet strikingly modern with five neatly joined, solid wood walnut or barn wood tone blades. A cylindrical motor housing complements its minimal profile. Irene-5HLK is streamline while still appearing warm and natural. Constructed of cast aluminum and heavy stamped steel, the Irene-5HLK has a limited lifetime warranty.

### Blade Options



Barn Wood

Walnut



shown in Textured Bronze  
with 52" Walnut blades



shown in Brushed Nickel  
with 42" Barn Wood blades



shown in Gloss White  
with 52" Barn Wood blades



shown in Matte Black  
with 52" Walnut blades

# Irene-5HLK

## TECHNICAL SPECIFICATIONS

### SKU NAMING CONVENTION

SKU#	<b>IR5HLK-XX-XX-XX</b> (Model+Finish+Blade+Diameter)	
Standard Finishes	Brushed Nickel	- <b>BN</b>
	Polished Chrome	- <b>CR</b>
	Textured Bronze	- <b>TB</b>
	Gloss White	- <b>WH</b>
	Matte Black	- <b>BK</b>
Blade Finish	Barn Wood Tone	- <b>BW</b>
	Walnut Tone	- <b>WA</b>
Fan Diameter	42 inches / 107 cm	- <b>42</b>
	52 inches / 132 cm	- <b>52</b>
	60 inches / 152 cm	- <b>60</b>

### STANDARD EQUIPMENT

#### Light cover

6-speed RF remote control with reverse function in black



Wireless Decora-style, 6-speed, wall control in white



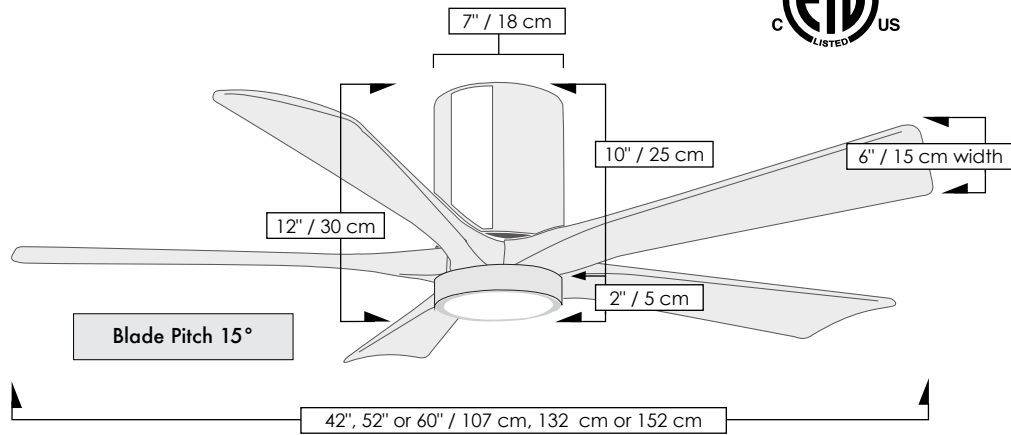
**WARNING:**  
Only compatible with included controllers.

### CEILING PITCH TABLE

0/12	0 degrees
1/12	4.76 degrees
2/12	9.46 degrees
3/12	14.04 degrees
4/12	18.43 degrees
5/12	22.62 degrees
6/12	26.57 degrees
7/12	30.26 degrees
8/12	33.69 degrees
9/12	36.87 degrees
10/12	39.81 degrees
11/12	42.51 degrees

### CEILING HEIGHT TABLE

Suitable for ceiling heights 7'10" or greater



### FAN SPECIFICATIONS

Fan Diameters	inches: 42, 52 or 60 centimeters: 107, 132 or 152
Overall Drop	12 inches / 30 cm
Fan Weight	13 lbs
Voltage	110 or 220
Motor Type	DC
Environment	Damp locations for all finishes Neither coastal, saltwater nor chlorine compatible
Ambience	Silent
Safety Certification	ETL / CETL
Warranty	Limited Lifetime

### NEW JAN 21, 2020 DOE MOTOR EFFICIENCY DATA

	42 inch / 107 cm	52 inch / 132 cm	60 inch / 152 cm
RPM (Low / High)	51 / 220	51 / 179	51 / 88
CFM (Low / High)	861 / 4215	1212 / 4749	2116 / 3660
Watts (High)	31.66	31.12	30.78
CFM/Watt (High)	133.12	152.59	118.90
Blade Pitch	15°	15°	15°

### LIGHT KIT PHOTOMETRICS

Lamping (Replaceable)	Remote Dimmable	Delivered Temperature in K	Delivered Lumens	CRI	Watts	Hours
Integrated LED	Yes	3075	690	90	16	60,000

Light kit longevity if used 6 Hours/Day: 27.4 Years

### Matthews Fan Company

1881 Industrial Drive  
Libertyville, IL 60048

Tele: 847.680.9043

Fax: 847.680.8140

www.matthewsfanco.com

All rights reserved. © 2019 Matthews Fan Company.

