



shown in Gloss White  
with Gray Ash blades



shown in Gloss White  
with Gloss White blades



# Eliza-H *Geometry in Motion*

Designed in 2014

Designed by Chicago architect Stephen Katz in 2014, the Eliza-H ceiling-mount fan blends a beautiful technically derived form with superior function and movement. The unique blade shape is designed to maximize air movement at the outer edge of the blade. The result is more efficient air velocity rings, less blade drag and greater motor optimization. Equally important is Eliza-H's stationary visual statement which combines modern utility with minimalist geometry. Constructed of cast aluminum and heavy stamped steel, the Eliza-H has a limited lifetime warranty.

## Blade Options



shown in Brushed Nickel  
with Brushed Nickel blades



shown in Brushed Nickel  
with Barn Wood blades



shown in Brushed Nickel  
with Walnut blades

### CEILING PITCH TABLE

0/12	0 degrees
1/12	4.76 degrees
2/12	9.46 degrees
3/12	14.04 degrees
4/12	18.43 degrees
5/12	22.62 degrees
6/12	26.57 degrees
7/12	30.26 degrees
8/12	33.69 degrees
9/12	36.87 degrees
10/12	39.81 degrees
11/12	42.51 degrees

### CEILING HEIGHT TABLE

Suitable for ceiling heights 7'10" or greater

### SKU NAMING CONVENTION

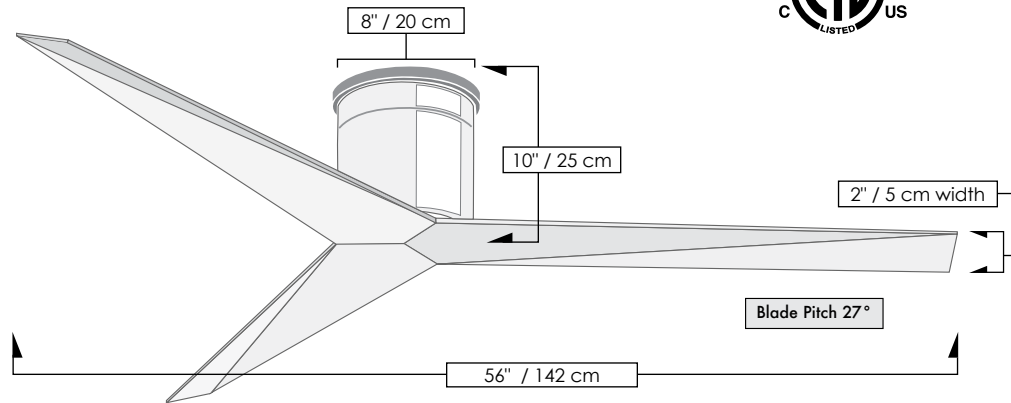
SKU#	<b>EKH-XX-XXX</b> (Model+Finish+Blade Finish)
Finishes	Brushed Nickel - <b>BN</b>
	Gloss White - <b>WH</b>
Blade Finishes	Brushed Nickel - <b>BN</b>
	Gloss White - <b>WH</b>
	Barn Wood - <b>BW</b>
	Gray Ash - <b>GA</b>
	Walnut - <b>WN</b>

### STANDARD EQUIPMENT

6-speed RF remote control with reverse function in black



Wireless Decora-style, 6-speed, wall control in white



### FAN SPECIFICATIONS

Fan Diameter	56 inches / 142 cm
Overall Drop	10 inches / 25 cm
Fan Weight	14 lbs
Voltage	110 or 220
Motor Type	DC
Remote Control	Hand-held, wall-mountable, 6-speed with reverse
Wall Control	Decora-style, 6-speed wall control: DC-WC
Environments	Damp locations for all finishes Neither coastal, saltwater nor chlorine compatible
Ambience	Silent
Safety Certification	ETL / CETL
Warranty	Limited Lifetime
MOTOR EFFICIENCY DATA AT HIGH SPEEDS	
RPM	172
CFM	5236.43
Watts	30.50
CFM/Watt	171.69
Blade Pitch	27°

### Matthews Fan Company

1881 Industrial Drive  
Libertyville, IL 60048  
Tele: 847.680.9043  
Fax: 847.680.8140

www.matthewsfanco.com

© 2017 Matthews Fan Company. All rights reserved.

