

ASSEMBLING & INSTALLATION INSTRUCTIONS PRODUCT# 8803-65

For Ceiling Mount Fixtures

WARNING! SHUT POWER OFF AT FUSE OR CIRCUIT BREAKER.
ATTENTION! COUPER LE COURANT AU FUSIBLE OU LE DISJONCTEUR.

MOUNTING THE FIXTURE (Fig.1)

1. Shut off the power at the circuit breaker box. Remove old fixture and all hardware from Junction Box.
2. Carefully unpack your new fixture and lay out all the parts on a clear area. Take care not to lose any small parts necessary for installation.
3. Thread the two Studs (N) about 1/4" into the pre-drilled holes in the Mounting strap spaced the same distance apart as the holes in the canopy (K).
4. Attach the Mounting strap to the Junction Box with the two Junction Box Screws as shown. The side of the Mounting strap marked "GND" must face out.
5. While holding the column assembly towards the ceiling, connect the electrical wires as Shown in Fig.2, making sure that all wire nuts are secured. You may have to wrap the connections with electrical tape. If your outlet has a ground wire (green or bare copper), connect the fixture ground wire to it. Otherwise connect fixture's ground wire directly to the Mounting strap with the green screw provided. After wires are connected, tuck them carefully inside the Junction Box.
6. Attach the canopy (K) and the washer (L) to the center of the column(J), then lock the canopy(K) with the hex nut(M).
7. Attach the column (J) to the fixture body (G) ,by turning it clockwise until tight.
8. Attach the finial (H) to the fixture body (G).
9. Place the socket sleeve (E) and the harp(C) over the socket of the fixture body(G), then lock it securely with the check ring (D) .Install the light bulb and put the glass shade(B) on to the harp(C), then screw the finial(A) onto the glass shade(B).
10. Attach the crystal(F) to the small ring of the column(I), the fixture body(G) and the finial(H).
11. Put the column (J) to the outlet box, aligning screws on Mounting strap with mounting holes in canopy and lock it securely with ball nut (I).
12. Install the light bulbs in accordance with the fixture specifications. **NOTE: DO NOT EXCEED THE SPECIFIED WATTAGE!**

Your installation is now complete Return power to the junction box and test the fixture.

Fig.1

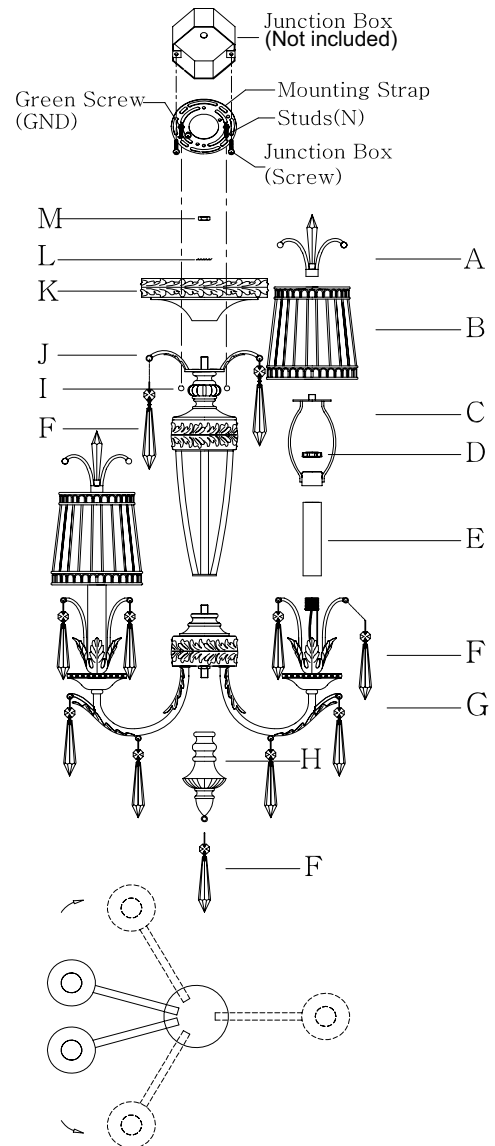
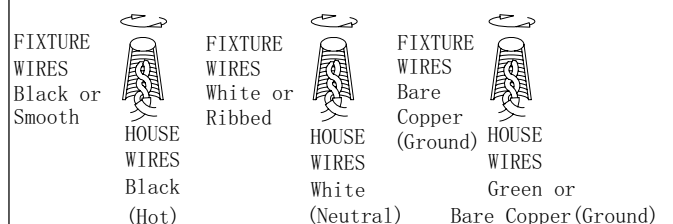


Fig.2



ASSEMBLING & INSTALLATION INSTRUCTIONS PRODUCT# 8803-65

For Chandelier Mount Ceiling Fixtures

WARNING! SHUT POWER OFF AT FUSE OR CIRCUIT BREAKER.
ATTENTION! COUPER LE COURANT AU FUSIBLE OU LE DISJONCTEUR.

ASSEMBLING THE FIXTURE (Fig.2)

1. Return the three arms to suitable position, see figure.2.
2. Attach the column (I) to the fixture body (G), by turning it clockwise until tight.
3. Attach the finial (H) to the the fixture body (G).
4. Place the socket sleeve (E) and the harp (C) over the socket of the fixture body (G), then lock it securely with the check ring (D). Install the light bulb and put the glass shade (B) on to the harp (C), then screw the finial (A) onto the glass shade (B).
5. Attach the crystal (F) to the small ring of the column (I), the fixture body (G) and the finial (H).
6. Install the light bulbs in accordance with the fixture specifications **NOTE: DO NOT EXCEED THE SPECIFIED WATTAGE!**

HANGING THE FIXTURE (Fig.1)

1. Shut off the power at the circuit breaker and remove old fixture from ceiling, including the old crossbar.
2. Carefully unpack new fixture and lay all the parts on a clear surface.
3. Thread the two Studs (A) about 1/4" into the pre-drilled holes in the mounting strap spaced the same distance apart as the holes in the fixture canopy (B).
4. Install the mounting strap to the Junction Box with the two Junction Box Screws as shown. The side of the mounting strap marked "GND" must face out.
5. While holding the canopy and lamp cluster towards the ceiling, connect the electrical wires as shown in Fig.3, making sure that all wire connectors are secured. You may have to wrap the connections with electrical tape. If there is a Ground Wire (green or bare copper) in your outlet box, connect the fixture's Ground Wire to it. Otherwise connect fixture's ground wire directly to the mounting strap with the Green Screw provided.
6. After wires being connected, tuck them carefully inside the Junction Box.
7. Then cover the junction box with canopy (B), aligning the Screw of mounting plate with the hole of canopy and lock it with brass ball (C).
8. Open one the end link of the chain provided and connect to the fixture loop (E). Close the link.
9. Lace the fixture wires through the chain.
10. Open the other end link of the chain and hang the fixture on the loop at the ceiling. Close the link.
11. Lace the fixture wires, ground wires through the loop and canopy (B) and pull until taut.
12. Attach the crystal (D) to the small ring of the fixture body (G).

Your installation is now complete Return power to the junction box and test the fixture.

Fig.1

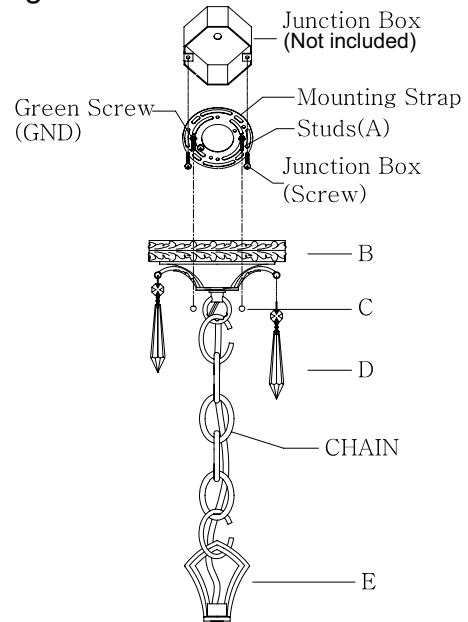


Fig.2

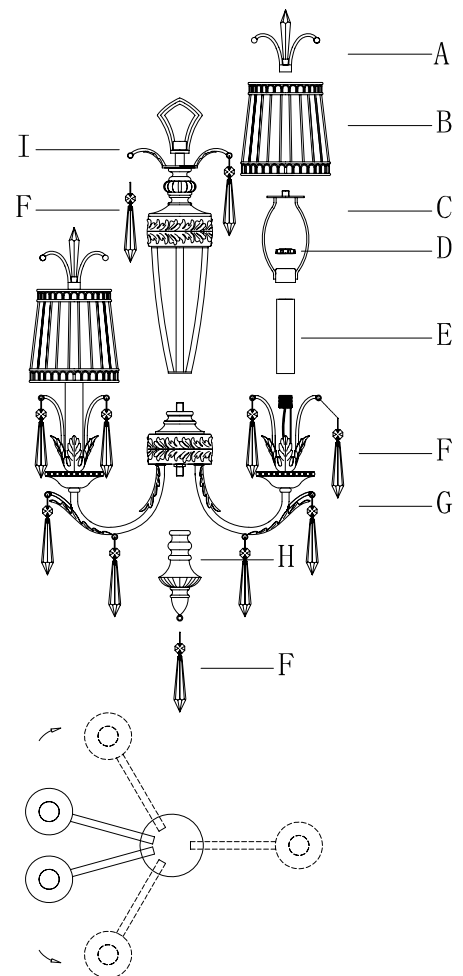


Fig.3

FIXTURE WIRES Black or Smooth		FIXTURE WIRES White or Ribbed		FIXTURE WIRES Bare Copper (Ground)	
HOUSE WIRES Black (Hot)		HOUSE WIRES White (Neutral)		HOUSE WIRES Green or Bare Copper (Ground)	