

ASSEMBLING & INSTALLATION INSTRUCTIONS PRODUCT#50794 50795 CEILING MOUNT FIXTURE

WARNING! SHUT POWER OFF AT FUSE OR CIRCUIT BREAKER .

ASSEMBLING THE FIXTURE (Fig.1)

1. Shut off the power at the circuit breaker box. Remove old fixture and all hardware from Junction Box.
2. Carefully unpack your new fixture and lay out all the parts on a clear area. Take care not to lose any small parts necessary for installation.
3. Thread the two mounting screws about 1/4" into the pre-drilled holes in the mounting plate spaced the same distance apart as the holes in the canopy (I).
4. Attach the mounting plate to the Junction Box with the two Junction Box Screws as shown. The side of the mounting plate marked "GND" must face out. **The junction box is not included.**
5. Raise the lamp holder(F) to the shade (G), aligning the top pipe nipple with the center small hole, slide the canopy(I) to the shade(G), by turning it clockwise until tight. Raise the ring shelf(E) to the bottom of lamp holder(F) and lock it securely with the finial(D).
6. Install the light bulbs in accordance with the fixture specifications **NOTE: DO NOT EXCEED THE SPECIFIED WATTAGE!**
7. **Loosen the tie crystal cluster of cord and organize appropriate.** Raise the end grapnel of the crystal cluster(A) hooked the outer two laps of ring shelf(E), raise the end grapnel of the crystal cluster(B) hooked the middle lap of ring shelf(E), raise the end grapnel of the crystal cluster(C) hooked the inside lap of ring shelf(E).
8. While holding the shade assembly towards the ceiling, connect the electrical wires as Shown in Fig.2, making sure that all wire nuts are secured. You may have to wrap the connections with electrical tape. If your outlet has a ground wire (green or bare copper), connect the fixture ground wire to it. Otherwise connect fixture's ground wire directly to the mounting plate with the green screw provided. After wires are connected, tuck them carefully inside the Junction Box.
9. Raise the lamp assembly onto the junction box, aligning screws on mounting plate with mounting holes in canopy(I) and lock it securely with the ball nut (H).

Your installation is now complete. Return power to the junction box and test the fixture.

Fig.1

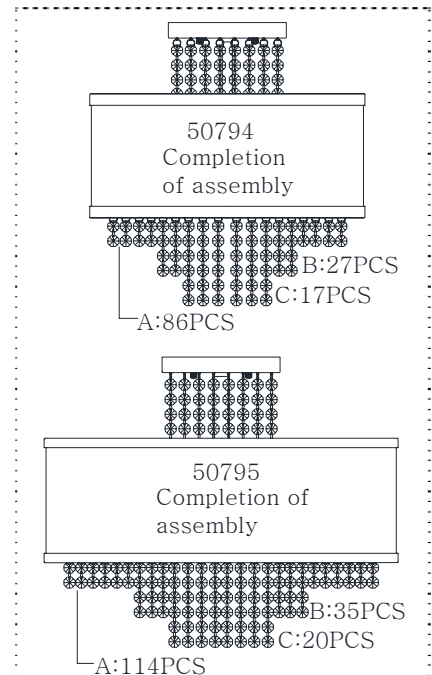
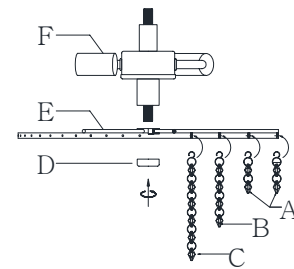
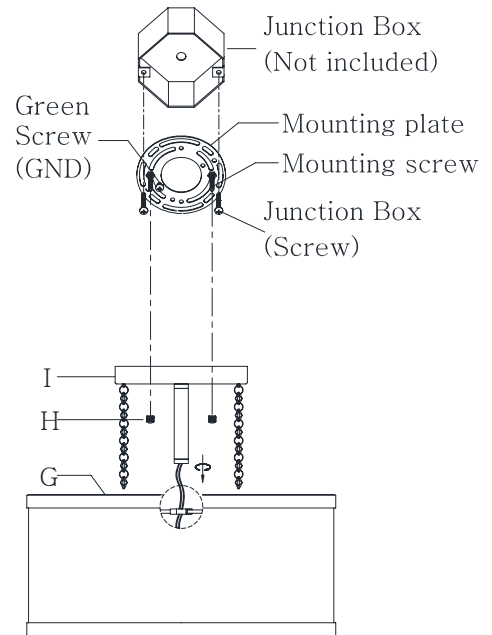


Fig.2

