



## ASSEMBLING & INSTALLATION INSTRUCTIONS

The drawing shown may not exactly match the product enclosed.  
However, the installation instructions do apply to this product.

Jefferson, Coventry; Canterbury, Andover; Buchanan,  
Cortland; Rockford, Winchester; **SERIES ceiling mount**

- ◆ **WARNING! SHUT POWER OFF AT FUSE OR CIRCUIT BREAKER.**
- ◆ **ATTENTION! COUPER LE COURANT AU FUSIBLE OU UN DISJONCTEUR.**

### ASSEMBLING THE FIXTURE (Fig.2, See the Page 2)

1. Shut off the power at the circuit breaker box. Remove old fixture and all hardware from Junction Box.
2. Carefully unpack your new fixture and lay out all the parts on a clear area. Take care not to lose any small parts necessary for installation.
3. Thread the two mounting screws into the pre-drilled holes in the Mounting plate spaced the same distance apart as the holes in the canopy(A). Attach the Mounting plate to the Junction Box with the two Junction Box screws as shown. The side of the Mounting plate marked "**GND**" must face to out. **The junction box is not included.**
4. Attach the pipe thread(C) to top coupling of the lamp holder(F) and lock it until tight. Attach the canopy(A) onto the pipe thread(C) and lock it until tight.
5. Place the candle sleeve (E) onto the lamp holder(F).
6. Install the light bulbs (Not included) in accordance with the fixture specifications. **NOTE: DO NOT EXCEED THE SPECIFIED WATTAGE!**
7. **Note:** attach the small arm to the side hole of the big ring, aligning the arm's screw hole with the ring's hole, lock it securely with the screws. The assembled is ring "G". Attach the bell glass(H) insert to the big ring(G). While holding the big ring(G) and canopy(A), hanging at both hooks of the pipe(D).
8. While holding the fixture body assembly towards the ceiling, connect the electrical wires as Shown in Fig.2, making sure that all wire nuts are secured. You may have to wrap the connections with electrical tape. If your outlet has a ground wire (green or bare copper), connect the fixture ground wire to it. Otherwise connect fixture's ground wire directly to the Mounting strap with the green screw provided. After wires are connected, tuck them carefully inside the Junction Box.
9. Attach the canopy(A) to the Junction box, aligning screws on single bar with mounting holes in canopy and lock it securely with ball nut (B).

**Your installation is now complete. Return power to the junction box and test the fixture.**

FIG.2

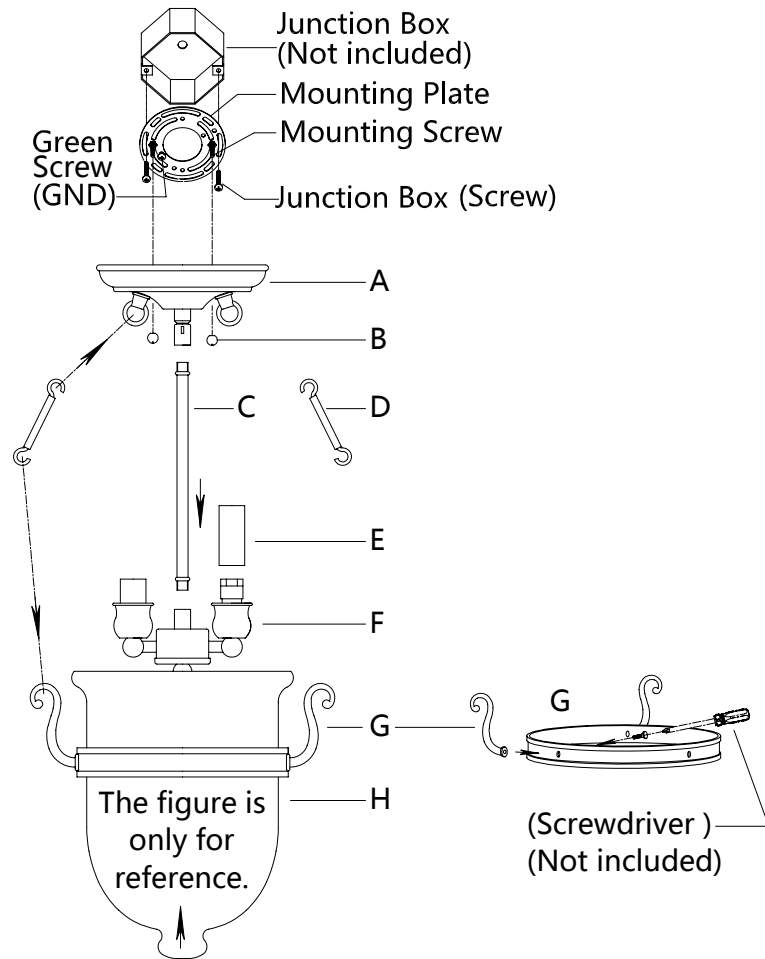
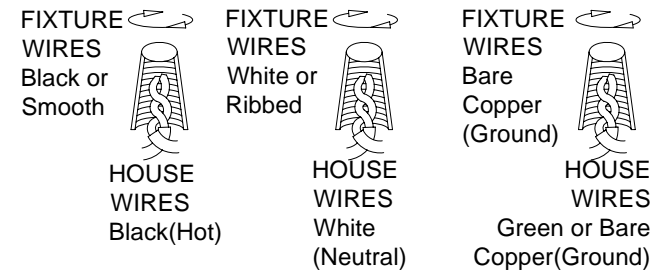
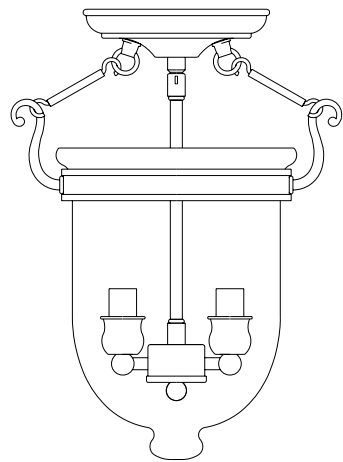


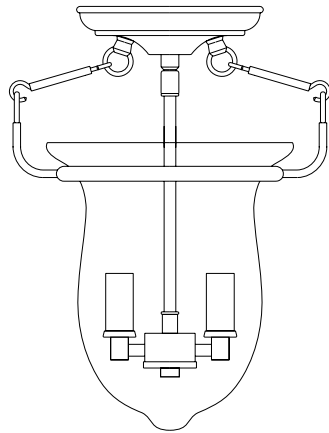
FIG.3



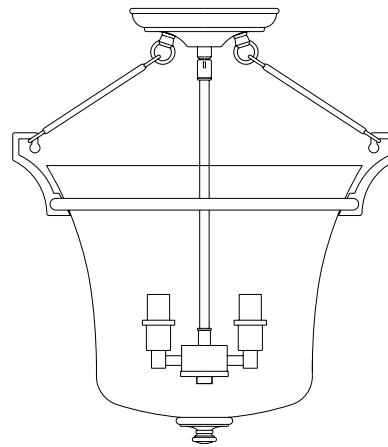
Thank you for purchasing a **LIVEX** product.  
 Need assistance with parts or assembly? Please call customer service at: **800-761-8056**  
 Or visit us on-line at: [WWW.LIVEXLIGHTING.COM](http://WWW.LIVEXLIGHTING.COM)



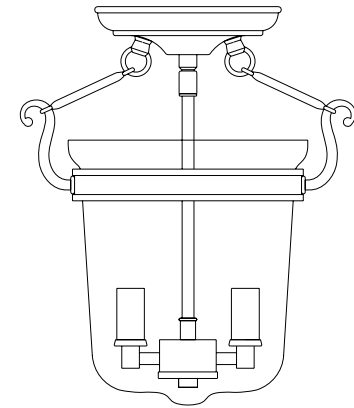
Jefferson series  
Coventry series  
The glass is only for reference.



Canterbury series  
Andover series  
The glass is only for reference.



Buchanan series  
Cortland series  
The glass is only for reference.



Rockford series  
Winchester series  
The glass is only for reference.