

ASSEMBLING & INSTALLATION INSTRUCTIONS PRODUCT# 50502 50504

CEILING MOUNT FIXTURE

WARNING! SHUT POWER OFF AT FUSE OR CIRCUIT BREAKER
ATTENTION! COUPER LE COURANT AU FUSIBLE OU LE DISJONCTEUR.

MOUNTING THE FIXTURE (Fig.1)

1. Shut off the power at the circuit breaker box. Remove old fixture and all hardware from Junction Box.
2. Carefully unpack your new fixture and lay out all the parts on a clear area. Take care not to lose any small parts necessary for installation.
3. Thread the two mounting screws about 1/4" into the pre-drilled holes in the single bar spaced the same distance apart as the holes in the fixture canopy (A).
4. Install the single bar to the Junction Box with the two Junction Box Screws as shown. The side of the single bar marked "GND" must face out. **The junction box is not included.**
5. While holding the column assembly towards the ceiling, connect the electrical wires as Shown in Fig.2, making sure that all wire nuts are secured. You may have to wrap the connections with electrical tape. If your outlet has a ground wire (green or bare copper), connect the fixture ground wire to it. Otherwise connect fixture's ground wire directly to the Mounting strap with the green screw provided. After wires are connected, tuck them carefully inside the Junction Box.
6. Raise the pipe nipple(B) to top coupling of the lamp holder(D) and until tighten, raise the assembly lamp holder to bottom coupling of the canopy(A), by turning it clockwise until tight.
7. Place the socket sleeve (C) onto the lamp holder.
8. Install the light bulbs in accordance with the fixture specifications **NOTE: DO NOT EXCEED THE SPECIFIED WATTAGE!**
9. Chain end is hung on the hook of glass shade(E).
10. Attach the canopy(A) to the Junction box, aligning screws on single bar with mounting holes in canopy and lock it securely with ball nut (F).

Your installation is now complete Return power to the junction box and test the fixture.

Fig.1

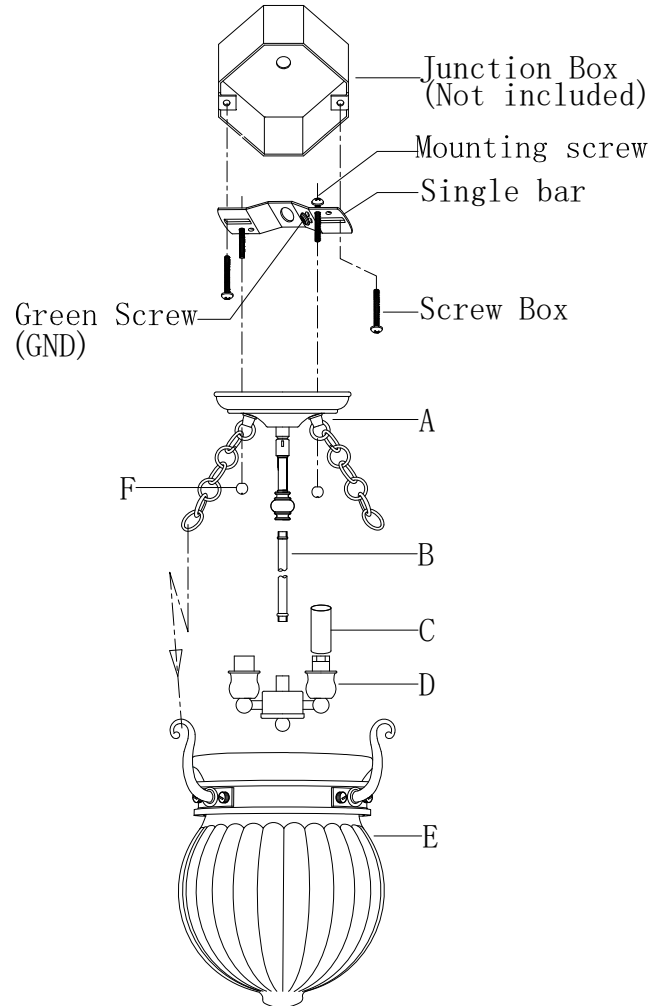


Fig.2

